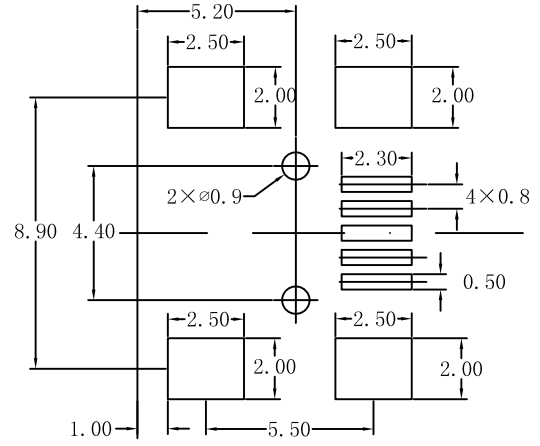
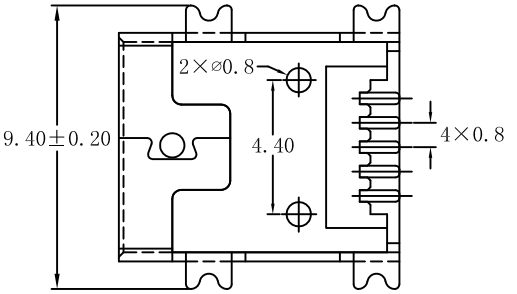
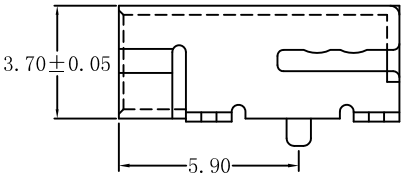
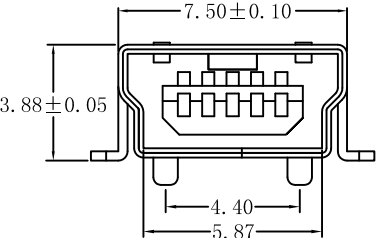
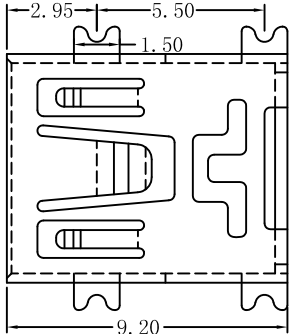


| | | |
|-------------------|-----------------------------|-------------------|
| 目錄 <i>MAPX</i> | 設變內容 <i>MODIFICATION</i> | 日期 <i>DATE</i> |
| | | |



RECOMMENDED PCB LAYOUT

规格说明:Specifications:
 电气特性:Electrical:
 1. 额定电流: Current Rating
 1.0A/contact terminal
 2. 额定电压: Voltage Rating
 30V DC
 3. 接触阻抗:Contact Resistance
 50 milliohms MAX
 4. 耐电压:Dielectnic Withstanding Voitage:
 300 V AC AT Sea Levol
 5. 绝缘阻抗:Lnsulation Resistance:
 100MEGA ohms MIN

物理性能:Mechanical:
 1. 插拔力: Connector Mate and Unmate Force
 Mate force:3.0kgf(MAX)
 Unmate force:0.7kgf(MIN)
 2. 端子保持力: Terminal Retenion
 0.5kgf(MIN)

原材料:Material:
 1. 塑胶:Housing:
 Hing Temperature Tnermaplastics,
 UL 94V-0 LCP Black
 2. 端子:Contact:Copper Alloy C2680/C5191
 3. 外壳:Shell: Copper Alloy C2680

电镀:Finish:
 1. 端子:Contact: Plated Gold in Mating Area;
 Tin On Solder Talls
 2. 外壳:Shell:
 Nickel Plating/Electroplating tin

| | | | | | | | | | | | |
|-------------------------------------|-------|-------|-------|--------------|------------|---------------|-----|--------------------------|----------------------|-----------|----|
| 产品图 PRODUCT CHART DWG | | | | 深圳市精拓金电子有限公司 | | | | | | | |
| 公差一览表 TOLERANCE UNLESS OTHERWISE | | | | 单位 UNITS | MM | 制图 DRAWING | 邱建辉 | 产品料号 PRODUCT PART NO. | 920-462A2021S10101 | | |
| X. | ±0.25 | X' | ±5' | 比例 SCALE | 1:1 | 审核 CHKD | 郭治富 | 产品名称 PRODUCT NO. | MINI/5P母座T型铜壳SMT(编带) | | |
| .X | ±0.20 | .X' | ±2' | | | | | | | | |
| .XX | ±0.15 | .XX' | ±1' | 日期 DATE | 2014/10/20 | 核准 APPD | 黄国荣 | 角法 VIEW | | 版本 VER | A0 |
| .XXX | ±0.10 | .XXX' | ±0.5' | | | | | | | | |