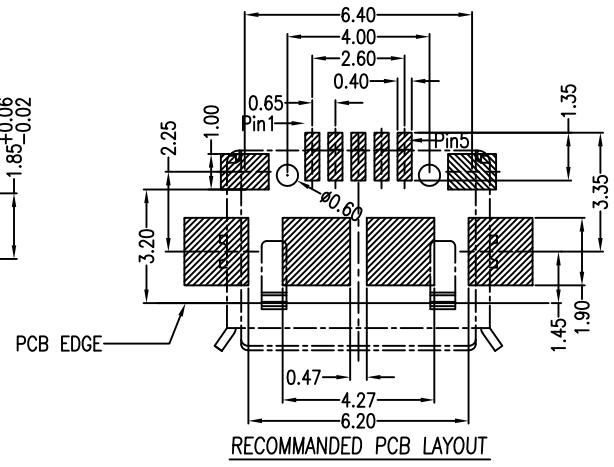
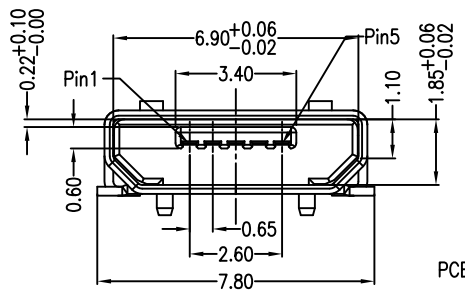
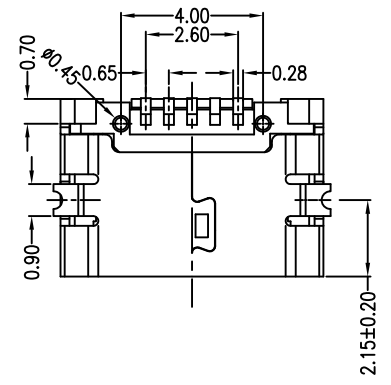
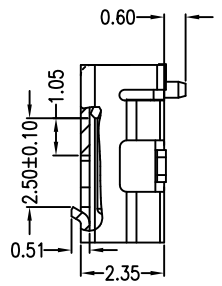
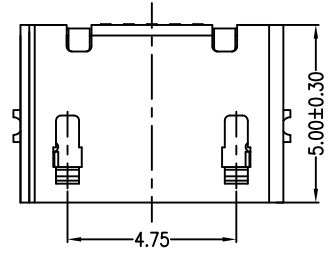
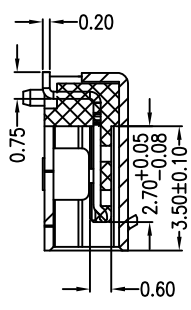
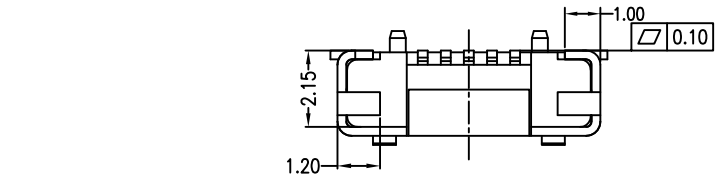


1	2	3	4	5	6	7	8	9	10	
						MAPX	MODIFICATION		DATE	



- Note:
- Material:
 - Housing: High temperature thermoplastic with g.f,UL94v-0
 - Contact: copper alloy,t=0.20mm
 - Shell: copper or sus304,t=0.25mm
 - Specification:
 - Current rating:1.5PIN 1.8A Max/2,3,4PIN 1A Max.
 - Dielectric withstanding voltage: 100 V(ac) for 1 min.
 - Contact resistance: 30 mΩ Max.
 - Insulation resistance: 100 MΩ Min.
 - Total mating force: 3.57 Kgf Max.
 - Total unmating force: 1.0 Kgf Min
 - Temperature range: -30°C~80°C

产品图 PRODUCT CHART DWG				深圳市精拓金电子有限公司							
公差一览表 TOLERANCE UNLESS OTHERWISE				单位 UNITS	MM	制图 DRAWING	GAVIN	制图料号 PRODUCT PART NO	920-D62A2021S10100		
X.	±0.25	X.	±5°	比例 SCALE	1:1	审核 CHKD		产品名称 PRODUCT NO	MICRO 5S B型两脚贴板无边 有柱加焊脚短端SMT		
.X	±0.20	.X	±2°	日期 DATE	2012.06.10	核准 APPD		角法 VIEW		版本 VER	AD
.XX	±0.15	.XX	±1°								
.XXX	±0.10	.XXX	±0.5°								