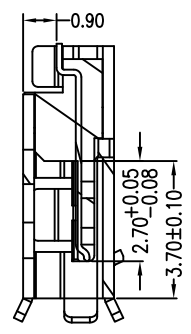
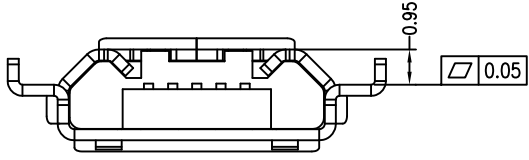
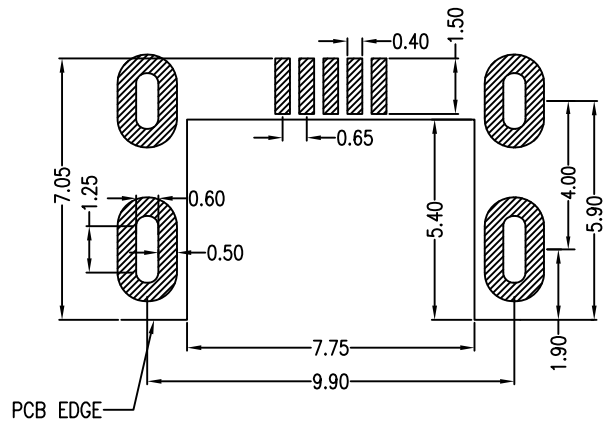
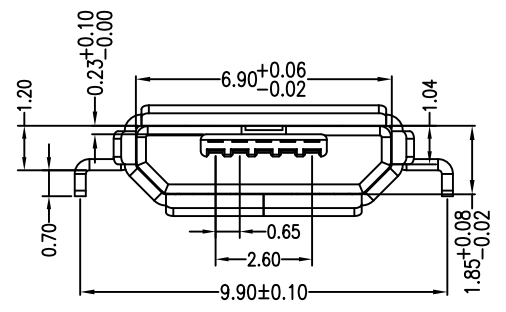
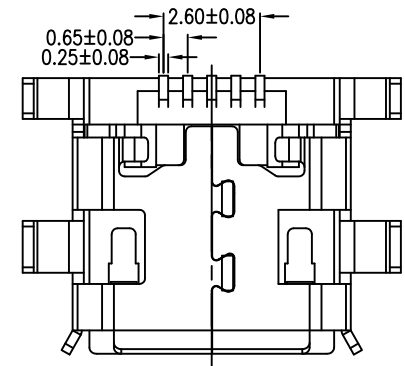
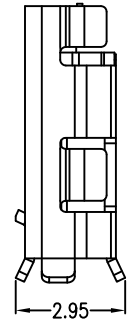
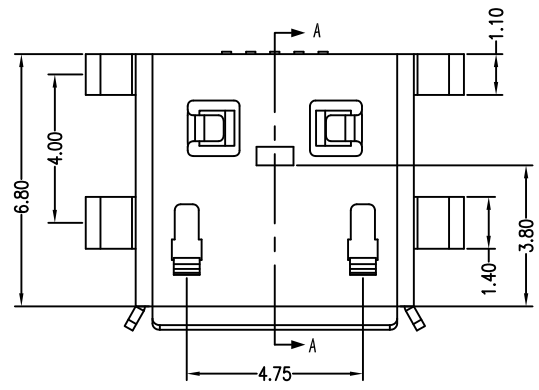


MAPX	MODIFICATION	DATE



剖面 A-A



RECOMMENDED PCB LAYOUT
TOLERANCE: ±0.03

Note:

1. Material:

- 1.1 Housing: High temperature thermoplastic with g.f,UL94v-0
- 1.2 Contact: copper alloy, t=0.15mm
- 1.3 Shell: copper alloy, t=0.30mm

2. Specification:

- 2.1 Current rating: 1,5PIN 1.8A Max/2,3,4PIN 1A Max.
- 2.2 Dielectric withstanding voltage: 100 V(ac) for 1 min.
- 2.3 Contact resistance: 30 mΩ Max.
- 2.4 Insulation resistance: 100 MΩ Min.
- 2.5 Total mating force: 3.57 Kgf Max.
- 2.6 Total unmating force: 1.0 Kgf Min.
- 2.7 Temperature range: -30°C~80°C

PCB图仅供参考

产品图 PRODUCT CHART DWG		深圳市精拓金电子有限公司							
公差一览表 TOLERANCE UNLESS OTHERWISE		单位 UNITS	MM	制图 DRAWING	YANG	制图料号 PRODUCT PART NO.	920-F52A2021S10106		
X.	±0.30	X.	±5.°	比例 SCALE	1:1	审核 CHKD	郭志富	产品名称 PRODUCT NO.	MICRO/5S B型沉板式0.9四脚 插板有边SMT
.X	±0.25	.X	±2.°	日期 DATE	2019. 11. 23	核准 APPD	黄国荣	角法 VIEW	版本 VER
.XX	±0.15	.XX	±1.°						AO
.XXX	±0.10	.XXX	±0.5°						