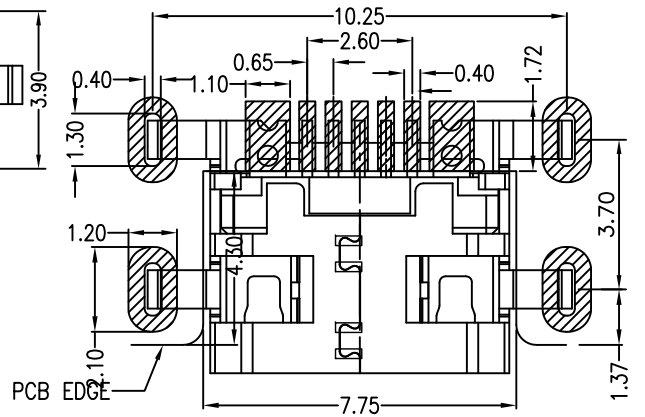
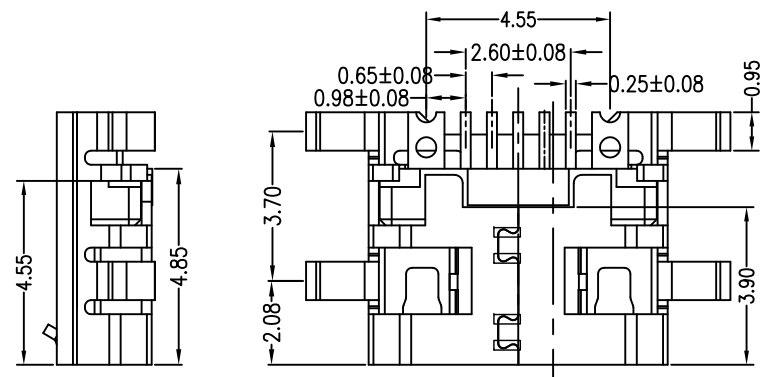
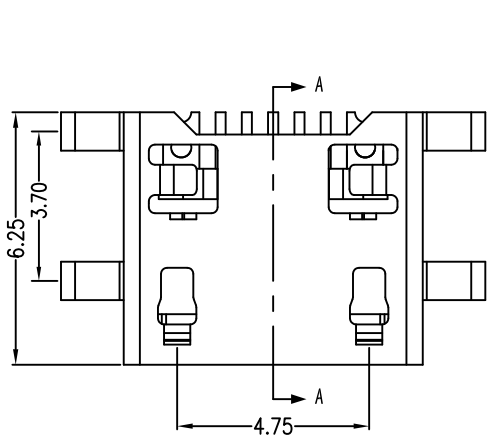
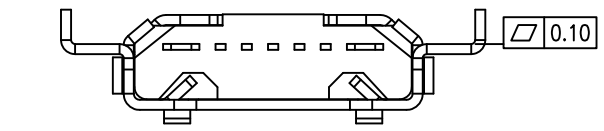
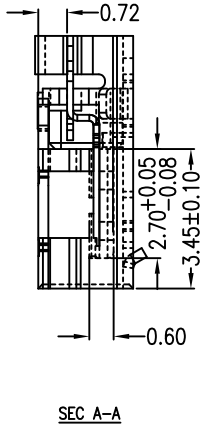
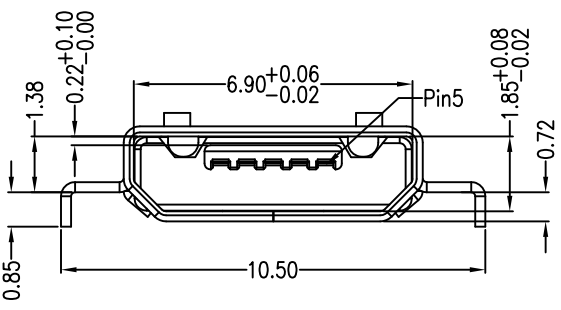


MAPX	MODIFICATION	DATE

- Note:
- Material:
    - Housing: High temperature thermoplastic with g.f,UL94v-0
    - Contact: copper alloy,t=0.15mm
    - Shell: copper or sus304,t=0.25mm
  - Specification:
    - Current rating:1,5PIN 1.8A Max/2,3,4PIN 1A Max.
    - Dielectric withstanding voltage: 100 V(ac) for 1 min.
    - Contact resistance: 30 mΩ Max.
    - Insulation resistance: 100 MΩ Min.
    - Total mating force: 3.57 Kgf Max.
    - Total unmating force: 1.0 Kgf Min.
    - Temperature range: -30°C~80°C



RECOMMENDED PCB LAYOUT  
PCB图仅供参考



产品图 PRODUCT CHART DWG				深圳市精拓金电子有限公司						
公差一览表 TOLERANCE UNLESS OTHERWISE				单位 UNITS	MM	制图 DRAWING	Gavin	制图料号 PRODUCT PART NO.	920-F62A2021S10103	
X.	±0.35	X.	±5°	比例 SCALE	1:1	审核 CHKD	郭治富	产品名称 PRODUCT NO.	MICRO/5F 沉板式0.7四脚插板无边有接地	
.XX	±0.20	.XX	±1°	日期 DATE	2015-09-09	核准 APPD	黄国荣	角法 VIEW	版本 VER	AD
.XXX	±0.10	.XXX	±0.5°							