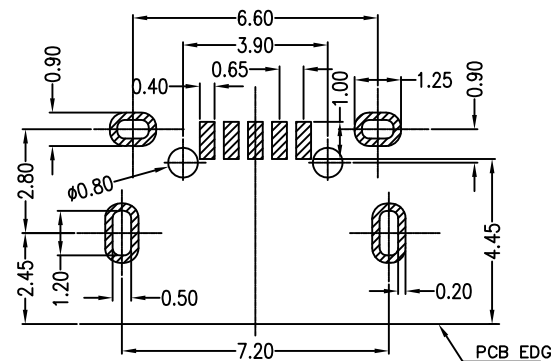
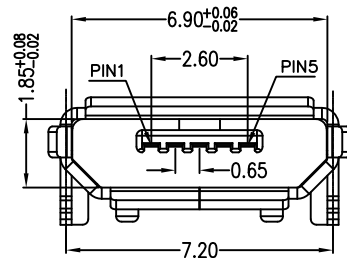
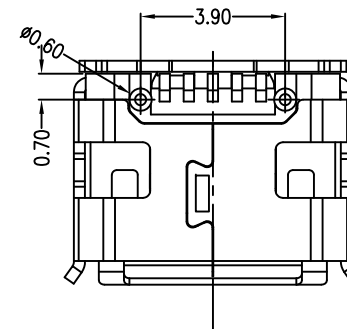
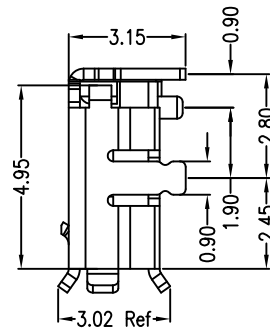
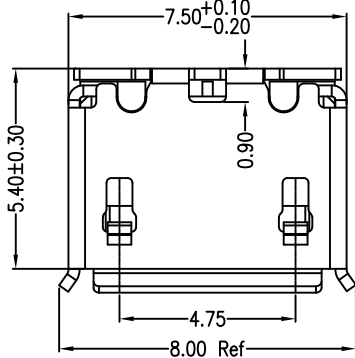
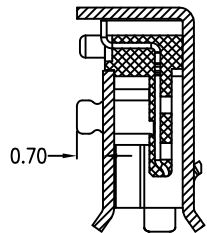
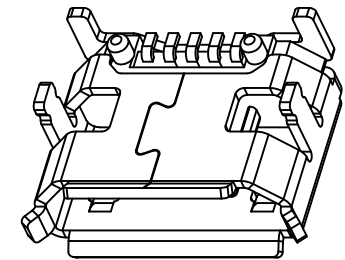
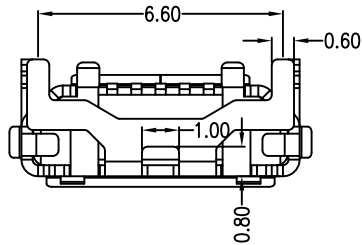


MAPX	MODIFICATION	DATE
------	--------------	------



Note:

1.Material:

- 1.1 Housing: LCP High temperature thermoplastic with g.f,UL94v-0
- 1.2 Contact: copper alloy,t=0.15mm
- 1.3 Shell: SUS304,t=0.30mm

2.Specification:

- 2.1 Current rating:1,5PIN 1.8A Max/2,3,4PIN 1A Max.
- 2.2 Dielectric withstanding voltage: 100 V(ac) for 1 min.
- 2.3 Contact resistance: 30 mΩ Max.
- 2.4 Insulation resistance: 100 MΩ Min.
- 2.5 Total mating force: 3.57 Kgf Max.
- 2.6 Total unmating force: 1.0 Kgf Min.
- 2.7 Temperature range: -30°C~80°C

PCB 图仅做参考
RECOMMAND PCB LAYOUT

产品图 PRODUCT CHART DWG		深圳市精拓金电子有限公司							
公差一览表 TOLERANCE UNLESS OTHERWISE		单位 UNITS	MM	制图 DRAWING	YANG	制图料号 PRODUCT PART NO.	920-E52A2021S10101		
X.	±0.30 X.	°		审核 CHKD	郭志富	产品名称 PRODUCT NO.	MICRO 5S B型牛角型7.2/6.6 有边有柱短针卷带成品		
.X	±0.25 .X	±2.°	比例 SCALE	日期 DATE	2019.11.23	角法 VIEW	版本 VER	AO	
.XX	±0.15 .XX	±1.°		核准 APPD	黄国荣				
.XXX	±0.10 .XXX	±0.5°							