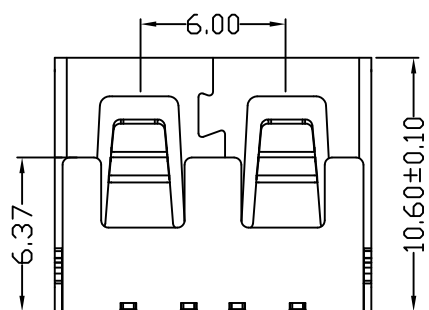
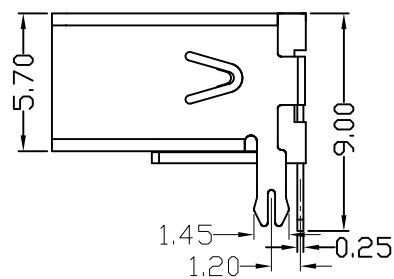
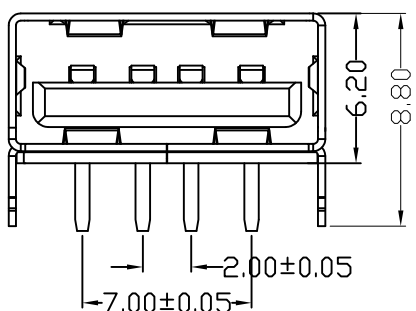
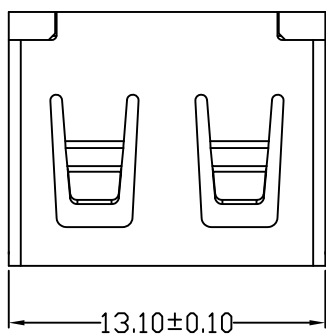


# D款, 反向10.6后两脚, DIP-\*6.20

MAPX	MODIFICATION	DATE

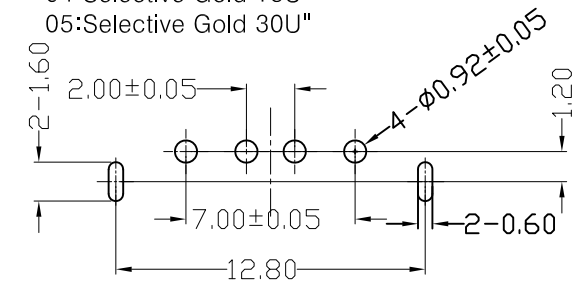


NOTES:  
 1.HOUSING: SEE NOTES, UL94V-0 .  
 TERMINAL: SEE NOTES.  
 SHELL: SEE NOTES.

SPECIFICATION:  
 1.ELECTRICAL CHARACTERISTIC:  
 CONTACT RESISTANCE: 30MΩ MAX  
 DIELECTRIC WITHSTANDING VOLTAGE: 500V AC FOR 1MIN  
 INSULATION RESISTANCE: 1000MΩ MIN  
 2.MECHANICAL CHARACTERISTIC:  
 INSERTION FORCE: 35N(3.57KGF) MAX  
 EXTRACTION FORCE: 10~35N(1.02~3.57KGF)MIN  
 DURABILITY: 1500 CYCLES EXTRACTION FORCE:10~35N  
 5000 CYCLES MIN  
 5000 CYCLES EXTRACTION FORCE:3~35N

3.ENVIRONMENTAL:  
 OPERATING TEMPERATURE: -55°C+85°C

4.Contact finish:  
 01:Selective Gold Flash  
 02:Selective Gold 3U"  
 03:Selective Gold 5U"  
 04:Selective Gold 15U"  
 05:Selective Gold 30U"



FRONT EDGE OF CONNECTOR  
 PCB LAYOUT (T=1.60mm)

产品图 PRODUCT CHART DWG				深圳市精拓金电子有限公司						
公差一览表 TOLERANCE UNLESS OTHERWISE				单位	MM	制图	Z-Y-B	制图料号	912-222B1016D10100	
X.	±0.15	X.	±5.°	UNITS		DRAWING		产品名称	AF10.6D款后两脚无边方弹铜壳反向	
.X	±0.10	.X	±2.°	比例	1:1	CHKD		PRODUCT NO	PBT白胶6.2DIP	
.XX	±0.05	.XX	±1.°	日期	2012.09.24	核淮		角法	版本	AD
.XXX	±0.03	.XXX	±0.5°	DATE		APPD		VIEW	VER	