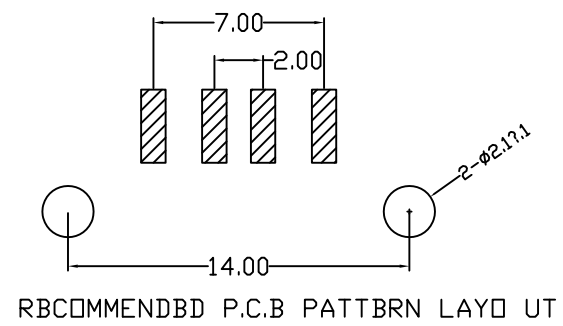
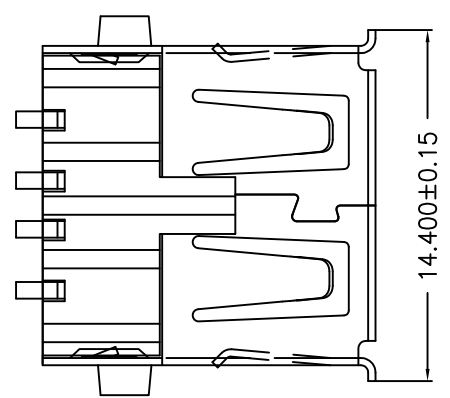
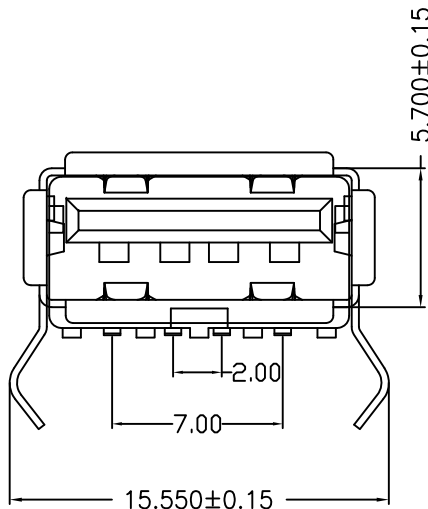
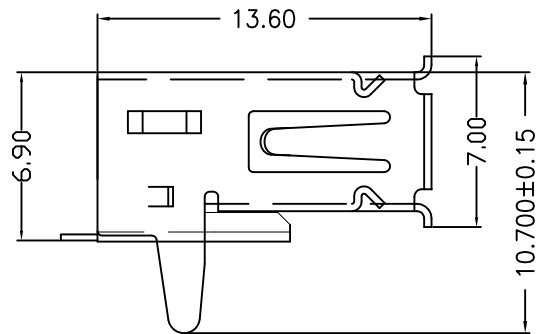


目錄 MAPX	设变内容 MODIFICATION	日期 DATE



备注：侧弹分为外弹与内弹

NOTES:
 Housing: Thermoplastics,UL94V-0
 Contact: Copper Alloy
 Shell: Copper Alloy/Steel
 Voltage Current Rating:1.5 AMP. 30V AC
 Insulation Resistance:1000MΩ Min.
 Contact Resistance:30 MΩ Max.
 Dielectric Withstanding Voltage:500V AC
 Temperature Range:-35°C to +85°C
 Insulator color: Black/White
 Plastic material:PBT/LCP/Others
 Shell finish:Nickel plated/Tin-Lead plated
 Mechanical:
 Mating Force:3.5KG MAX
 Unmating Force:0.7 KG MIN.
 Contact finish:

- 01:Selective Gold Flash
- 02:Selective Gold 3U"
- 03:Selective Gold 5U"
- 04:Selective Gold 15U"
- 05:Selective Gold 30U"

产品图 PRODUCT CHART DWG		深圳市精拓金电子有限公司							
公差一览表 TOLERANCE UNLESS OTHERWISE				单位 UNITS	MM	制图 DRAWING	Z-Y-B	产品料号 PRODUCT PART NO.	903-131A2031S10200
X.	±0.15	X'	±5°	比例 SCALE	1:1	审核 CHKD	雷永键	产品名称 PRODUCT NO.	AF无后盖弯脚有边内弹铁壳T型LCP本色SMT
.X	±0.10	.X'	±2°						
.XX	±0.05	.XX'	±1°	日期 DATE	2009/10/20	核准 APPD	雷永键	角法 VIEW	版本 VER
.XXX	±0.03	.XXX'	±0.5°						