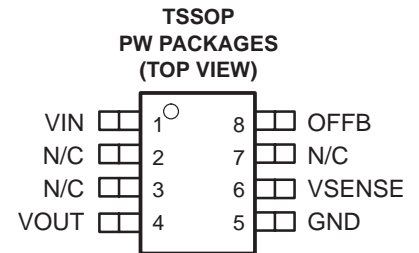
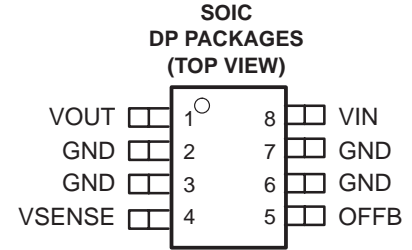


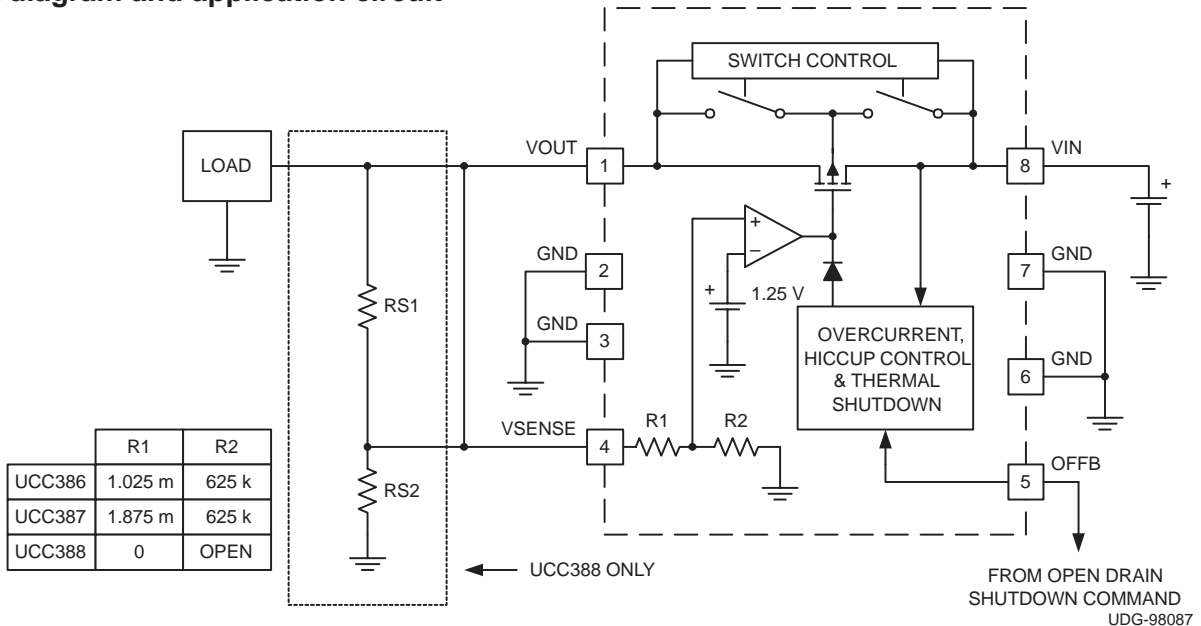
- Precision Positive Linear Voltage Regulator
- 0.2 V Dropout at 200 mA
- Ensured Reverse Input/Output Voltage Isolation with Low Leakage
- Adjustable Output Voltage (Down to 1.25 V)
- Load Independent Low Quiescent Current (10 A typical)
- Load Regulation of 5 mV from 0 mA to 200 mA
- Logic Shutdown Capability
- Shutdown Quiescent Current Below 2 A
- Short Circuit Protection - Duty Cycle Limiting
- Remote Load Voltage Sense for Accurate Load Regulation



**description**

The UCC386/7/8 positive linear pass regulator series is tailored for low-dropout applications where extremely low quiescent power is required. Fabricated with BiCMOS technology ideally suited for low input to output differential applications, the UCC386/7/8 will pass 200 mA while requiring only 200 mV of input voltage headroom. Quiescent current is typically less than 10  $\mu$ A. To prevent reverse current conduction, on-chip circuitry limits the minimum forward voltage to 50 mV typical. Once the forward voltage limit is reached, the input-output differential voltage is maintained as the input voltage drops until undervoltage lockout disables the regulator.

**block diagram and application circuit**



Please be aware that an important notice concerning availability, standard warranty, and use in critical applications of Texas Instruments semiconductor products and disclaimers thereto appears at the end of this data sheet.

PRODUCTION DATA information is current as of publication date. Products conform to specifications per the terms of Texas Instruments standard warranty. Production processing does not necessarily include testing of all parameters.



# UCC386, UCC387, UCC388 LOW-DROPOUT 200-mA LINEAR REGULATOR

SLUS377B - JULY 1999 - REVISED MAY 2000

## description (continued)

The UCC386 has an on-chip resistor network for preset to regulate at 3.3 V, while the UCC387 has a fixed 5-V output. The UCC388 requires an external resistor network that can be programmed for output voltages down to 1.25 V. The output voltage is regulated to 1.5% at room temperature and better than 2.5% over the entire operating temperature range.

Short-circuit current is internally limited. The device responds to a sustained overcurrent condition by limiting the duty cycle of the load to 12.5% typical. This drastically reduces the power dissipation during short circuit such that heat sinking, if at all required, must only accommodate normal operation.

Internal power dissipation is further controlled with thermal overload protection circuitry. Thermal shutdown occurs if the junction temperature exceeds 140°C. The chip remains in the off state until the temperature drops to 115°C.

Pulling OFFB low commands a low-power shutdown mode, which requires less than 2-μA quiescent current. These devices are available in the 8-pin TSSOP (PW) and 8-pin SOIC (DP) surface-mount power packages. For other packaging options consult the factory.

### AVAILABLE OPTIONS

T <sub>A</sub>	OUTPUT VOLTAGE (V)			PACKAGE DEVICES	
	MIN	TYP	MAX	SOIC-8 (DP)	TSSOP-8 (PW)
0°C to 70°C	3.22	3.30	3.38	UCC386DP	UCC386PW
	4.785	5.000	5.125	UCC387DP	UCC387PW
		ADJ		UCC388DP	UCC388PW

† All package types are available taped and reeled. Add TR suffix to device type (e.g. UCC386DPTR) to order quantities of 3000 devices per reel.

## absolute maximum ratings over operating free-air temperature (unless otherwise noted)†

V <sub>IN</sub> .....	9 V
OFFB .....	-0.3 V to V <sub>IN</sub> 0.3 V
Storage Temperature, T <sub>stg</sub> .....	-65°C to 150°C
Junction Temperature, T <sub>J</sub> .....	-55°C to 150°C
Lead Temperature (Soldering, 10 sec) .....	300°C

† Stresses beyond those listed under “absolute maximum ratings” may cause permanent damage to the device. These are stress ratings only, and functional operation of the device at these or any other conditions beyond those indicated under “recommended operating conditions” is not implied. Exposure to absolute-maximum-rated conditions for extended periods may affect device reliability.

‡ Currents are positive into, negative out of the specified terminal. Consult Packaging Section of Databook for thermal limitations and considerations of packages. All voltages are referenced to GND.

## electrical characteristics, T<sub>A</sub> = T<sub>J</sub> = 0 C to 70 C, V<sub>IN</sub> = V<sub>OUT</sub>+1.5 V, I<sub>OUT</sub> = 0 mA, C<sub>OUT</sub> = 0.1 F (unless otherwise noted)

PARAMETER	TEST CONDITIONS	MIN	TYP	MAX	UNITS
<b>UCC386 Fixed 3.3 V Output</b>					
Output voltage	T <sub>A</sub> = 25°C	3.25	3.3	3.35	V
	Over temperature	3.22	3.3	3.38	V
Line regulation	V <sub>IN</sub> = 3.45 V to 8.5 V, I <sub>OUT</sub> = 10 mA		13	25	mV
Load regulation	I <sub>OUT</sub> = 1 mA to 200 mA		5	10	mV
Output noise voltage	T <sub>J</sub> = 25°C, BW = 10 Hz to 10 kHz		200		μV <sub>RMS</sub>
Dropout voltage, V <sub>IN</sub> -V <sub>OUT</sub>	I <sub>OUT</sub> = 200 mA, V <sub>OUT</sub> = 3.20 V		200	500	mV
	I <sub>OUT</sub> = 50 mA, V <sub>OUT</sub> = 3.20 V		50		mV



# UCC386, UCC387, UCC388 LOW-DROPOUT 200-mA LINEAR REGULATOR

SLUS377B - JULY 1999 - REVISED MAY 2000

**electrical characteristics,  $T_A = T_J = 0\text{ C to }70\text{ C}$ ,  $V_{IN} = V_{OUT} + 1.5\text{ V}$ ,  $I_{OUT} = 0\text{ mA}$ ,  $C_{OUT} = 0.1\text{ F}$  (unless otherwise noted)**

PARAMETER	TEST CONDITIONS	MIN	TYP	MAX	UNITS
<b>UCC386 Fixed 3.3 V Output (continued)</b>					
Peak current limit	$V_{OUT} = 0\text{ V}$	260	550	850	mA
Overcurrent threshold		225	375	525	mA
Current limit duty cycle	$V_{OUT} = 0\text{ V}$		12.5	14	%
Overcurrent timeout, $T_{ON}$	$V_{OUT} = 0\text{ V}$	550	900	1250	$\mu\text{s}$
Quiescent current	$OFFB = V_{IN}$		10	20	$\mu\text{A}$
Shutdown quiescent current	$V_{IN} \leq 8.5\text{ V}$ , $OFFB \leq 0.5\text{ V}$		2	5	$\mu\text{A}$
Shutdown threshold (OFF)	$V_{IN} = 8.5\text{ V}$	0		0.5	V
Shutdown threshold (ON)	See Note 1	$V_{IN} - 0.5\text{ V}$			V
Reverse leakage current	$0\text{ V} < V_{IN} < V_{OUT}$ , $V_{OUT} < 3.35\text{ V}$ , at $V_{IN}$			10	$\mu\text{A}$
	$0\text{ V} < V_{IN} < V_{OUT}$ , $V_{OUT} < 3.35\text{ V}$ , at $V_{OUT}$			10	$\mu\text{A}$
Bias current at $V_{SENSE}$ pin			2		$\mu\text{A}$
<b>UCC387 Fixed 5 V Output</b>					
Output voltage	$T_A = 25^\circ\text{C}$	4.925	5	5.075	V
	Over full temperature range	4.785	5	5.125	V
Line regulation	$V_{IN} = 5.5\text{ V to }8.5\text{ V}$ , $I_{OUT} = 10\text{ mA}$		13	25	mV
Load regulation	$I_{OUT} = 1\text{ mA to }200\text{ mA}$		5	10	mV
Output noise voltage	$T_J = 25^\circ\text{C}$ , $BW = 10\text{ Hz to }10\text{ kHz}$		200		$\mu\text{V}_{RMS}$
Dropout voltage, $V_{IN} - V_{OUT}$	$I_{OUT} = 200\text{ mA}$ , $V_{OUT} = 4.75\text{ V}$		200	500	mV
	$I_{OUT} = 50\text{ mA}$ , $V_{OUT} = 4.75\text{ V}$		50		mV
Peak current limit	$V_{OUT} = 0\text{ V}$	260	550	850	mA
Overcurrent threshold		225	375	525	mA
Current limit duty cycle	$V_{OUT} = 0\text{ V}$		12.5	14	%
Overcurrent timeout, $T_{ON}$	$V_{OUT} = 0\text{ V}$	550	900	1250	$\mu\text{s}$
Quiescent current	$OFFB = V_{IN}$		10	20	$\mu\text{A}$
Shutdown quiescent current	$V_{IN} \leq 8.5\text{ V}$ , $OFFB \leq 0.5\text{ V}$		2	5	$\mu\text{A}$
Shutdown threshold (OFF)	$V_{IN} = 8.5\text{ V}$	0		0.5	V
Shutdown threshold (ON)	See Note 1	$V_{IN} - 0.5\text{ V}$			V
Reverse leakage current	$0\text{ V} < V_{IN} < V_{OUT}$ , $V_{OUT} < 3.35\text{ V}$ , at $V_{IN}$			10	$\mu\text{A}$
	$0\text{ V} < V_{IN} < V_{OUT}$ , $V_{OUT} < 3.35\text{ V}$ , at $V_{OUT}$			10	$\mu\text{A}$
Bias current at $V_{SENSE}$ pin			2		$\mu\text{A}$
<b>UCC388 Adjustable Output</b>					
Output voltage	$T_A = 25^\circ\text{C}$	1.23	1.25	1.27	V
	Over full temperature range	1.22	1.25	1.28	V
Line regulation	$V_{IN} = 2.5\text{ V to }8.5\text{ V}$ , $I_{OUT} = 10\text{ mA}$ , $V_{OUT} = 1.25\text{ V}$		10	40	mV
Load regulation	$I_{OUT} = 1\text{ mA to }200\text{ mA}$		5	10	mV
Output noise voltage	$T_J = 25^\circ\text{C}$ , $BW = 10\text{ Hz to }10\text{ kHz}$		200		$\mu\text{V}_{RMS}$
Dropout voltage, $V_{IN} - V_{OUT}$	$I_{OUT} = 200\text{ mA}$ , $V_{OUT} = 3.20\text{ V}$		200	500	mV
	$I_{OUT} = 50\text{ mA}$ , $V_{OUT} = 3.20\text{ V}$		50		mV
Peak current limit	$V_{OUT} = 0\text{ V}$	260	550	850	mA
Overcurrent threshold		225	375	525	mA

NOTE 1: An internal 100-nA pullup is provided for this function.



# UCC386, UCC387, UCC388 LOW-DROPOUT 200-mA LINEAR REGULATOR

SLUS377B - JULY 1999 - REVISED MAY 2000

electrical characteristics,  $T_A = T_J = 0\text{ C to }70\text{ C}$ ,  $V_{IN} = V_{OUT} + 1.5\text{ V}$ ,  $I_{OUT} = 0\text{ mA}$ ,  $C_{OUT} = 0.1\text{ F}$  (unless otherwise noted)

PARAMETER	TEST CONDITIONS	MIN	TYP	MAX	UNITS
<b>UCC388 Adjustable Output (continued)</b>					
Current limit duty cycle	$V_{OUT} = 0\text{ V}$		12.5	14	%
Overcurrent timeout, $T_{ON}$	$V_{OUT} = 0\text{ V}$	550	900	1250	$\mu\text{s}$
Quiescent current	$OFFB = V_{IN}$		10	20	$\mu\text{A}$
Shutdown quiescent current	$V_{IN} \leq 8.5\text{ V}$ , $OFFB \leq 0.5\text{ V}$		2	5	$\mu\text{A}$
Shutdown threshold (OFF)	$V_{IN} = 8.5\text{ V}$	0		0.5	V
Shutdown threshold (ON)	See Note 1	$V_{IN} - 0.5\text{ V}$			V
Reverse leakage current	$0\text{ V} < V_{IN} < V_{OUT}$ , $V_{OUT} < 3.35\text{ V}$ , at $V_{IN}$			10	$\mu\text{A}$
	$0\text{ V} < V_{IN} < V_{OUT}$ , $V_{OUT} < 3.35\text{ V}$ , at $V_{OUT}$			10	$\mu\text{A}$
Bias current at $V_{SENSE}$ pin			50		nA
Minimum operating voltage				2.5	V

NOTE 1: An internal 100-nA pullup is provided for this function.

## pin descriptions

**GND:** Chip Ground. All voltages are measured with respect to this pin. This is the low-noise ground reference for input regulation. The output decoupling capacitor should be tied between  $V_{OUT}$  and GND.

**OFFB:** Shutdown, active low. This pin must be externally pulled to GND to turn off the IC. Pulling this pin high turns on the IC. This pin is internally pulled to  $V_{IN}$  by 100-nA current source.

**$V_{IN}$ :** Positive supply input for the regulator. Bypass this pin to GND with at least 0.1  $\mu\text{F}$  of low ESR, ESL capacitance if the source is located further than 1 inch from the device.

**$V_{OUT}$ :** Output of the regulator. The regulator does not require a minimum output capacitance for stability, however a small capacitor is recommended to improve transient response. Choose the appropriate size capacitor for the application with respect to the required transient loading. For example, if the load is very dynamic, a large capacitor will smooth out the response to load steps.

**$V_{SENSE}$ :** Externally programmable voltage sense node. For the UCC388, connect resistor divider network between  $V_{OUT}$ ,  $V_{SENSE}$  and GND to provide custom regulation level. For the UCC386 and UCC387, connect this pin to  $V_{OUT}$  as close to the load as possible.

## APPLICATION INFORMATION

### load independent current consumption

This series of LDOs is based on CMOS circuitry and uses a high-side P-channel pass element. Consequently, the current consumed by the LDO is extremely low at 10  $\mu\text{A}$  under normal operating conditions and does not vary with load. The shutdown mode ( $OFFB = \text{GND}$ ) consumes only 2  $\mu\text{A}$ , making this series an excellent choice for battery applications.

### reverse voltage standoff

These LDOs are designed to operate with the voltage at the output greater than the voltage at the input. This can be an advantage where a circuit needs to be powered from two separate power sources that must be kept isolated, such as selecting between one of two or more batteries.

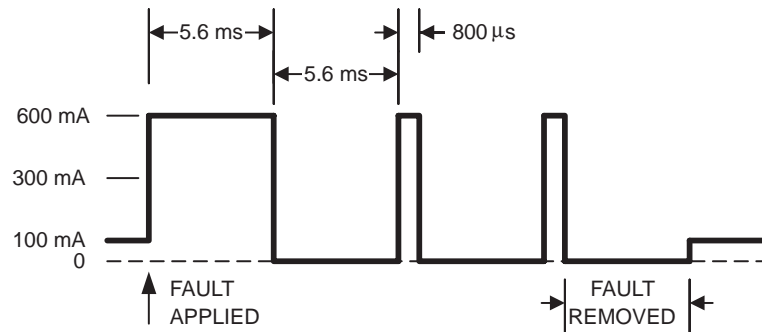


POST OFFICE BOX 655303 • DALLAS, TEXAS 75265

**APPLICATION INFORMATION**

**overcurrent protection**

The UCC386/7/8 uses a fixed, absolute, current limit in conjunction with a timed overcurrent function that significantly reduces power dissipation in the event of a shorted load (see Figure 1). In this diagram, a 100-mA load is applied to the output of the LDO. At some point, a fault is applied. When the current level exceeds the overcurrent threshold of about 300 mA, a timer is started. If the current does not fall below the overcurrent threshold before the timer times out, about 5.6 ms, the LDO declares an overcurrent condition exists and turns off its output for about 5.6 ms. Note that the output current is internally limited to 600 mA. After the output has been off for 5.6 ms, it is turned on for about 800  $\mu$ s and again limited to 600 mA. If the current does not fall below the overcurrent threshold before the 800- $\mu$ s timer expires, the output is again turned off for 5.6 ms. This process repeats itself until the fault condition is removed from the output of the LDO. The average current supplied to the faulted load by the LDO is approximately 112 mA. This is well below the maximum rated current of 200 mA of the LDO. Therefore, for most applications that have adequate thermal dissipation for the LDO to operate at full rated load, the thermal dissipation will also be adequate in a faulted condition.



UDG-98088

**Figure 1. Current Waveform During a Fault**

**thermal shutdown**

The LDOs have a thermal shutdown circuit that will turn the LDO output off before the die temperature reaches damaging levels. When the die cools, the LDO will again function. The thermal shutdown circuit has a turn-off threshold of nominally 140°C, and a turn-on threshold of 115°C. These temperatures insure that the LDO will not be damaged due to excessive power dissipation.

**maximum load recovery**

The LDO will start a load that has a large capacitance and a dc current component. One of the consequences of the LDOs fault behavior is a maximum output capacitor value and load current that the LDO can restart after an overcurrent condition has been declared. Figure 2 shows the maximum load that the LDO can re-start from a faulted condition with a given output filter capacitor. Note that the LDO can start a much higher load than it can restart after a fault. If the LDO is hiccuping into a load that it cannot re-start, either momentarily disconnecting the load or a power cycle allows the LDO to start the load.

# UCC386, UCC387, UCC388 LOW-DROPOUT 200-mA LINEAR REGULATOR

SLUS377B - JULY 1999 - REVISED MAY 2000

## APPLICATION INFORMATION

### maximum load recovery (continued)

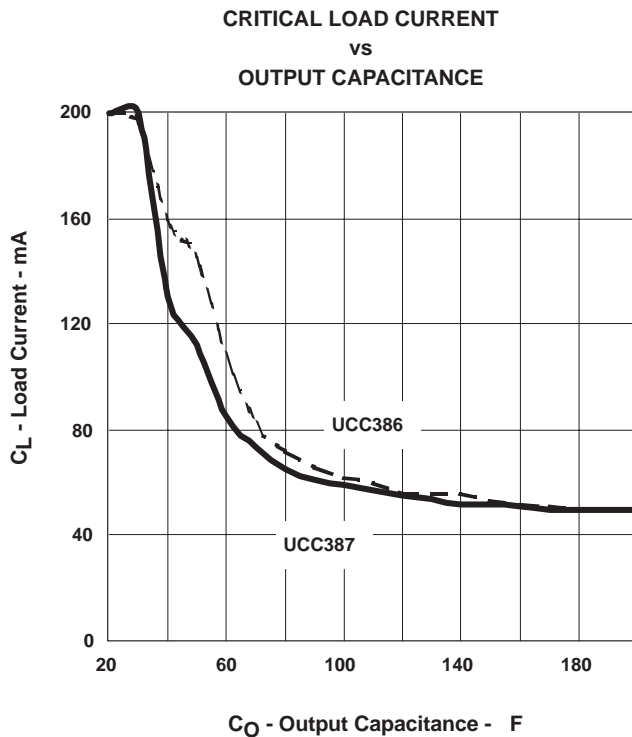


Figure 2.

### using OFFB

The OFFB pin is used to turn the output of the LDO on or off from some external source. There are two things to note when using this pin. The first is that after taking OFFB high (on), the LDO will require up to about 2 ms to start and stabilize. The second item is that OFFB is designed to be driven from an open-drain-type output. Internally, this pin is pulled high by a weak 100-nA current source, and will normally be at the input supply voltage, so the driving circuitry must be able to withstand the voltage applied to the input of the regulator. Also, depending upon load, if the OFFB pin is driven (overriding the internal pull-up) high with a fast edge signal, there may be a brief pulse on the output, followed by no output, with the regulator coming on and stabilizing about 2 ms after the OFFB pin was driven high. This output pulse is never more than the normal output voltage of the regulator and is about 200  $\mu$ s in length.

---

**APPLICATION INFORMATION**

**output capacitance and transient response**

The transient response of the regulator is heavily influenced by the capacitor on the output. In general, larger capacitors produce less voltage variation during load changes, but take longer to stabilize (quit wiggling). Note that no output capacitor is required for a stable output. However, if the load exhibits sharp changes in current requirements, and temporary deviations from the nominal output voltage must be minimized, some output filter capacitor will be needed.

**UCC388 output voltage programming**

Referring to the applications diagram on the front page of the data sheet, the output voltage is given by:

$$V_O = 1.25 \left( \frac{R_{S1} + R_{S2}}{R_{S2}} \right)$$

*Note that for the UCC388, the internal resistor R2 is open.*

**PACKAGING INFORMATION**

Orderable Device	Status <sup>(1)</sup>	Package Type	Package Drawing	Pins	Package Qty	Eco Plan <sup>(2)</sup>	Lead/Ball Finish	MSL Peak Temp <sup>(3)</sup>
UCC386PW	OBSOLETE	TSSOP	PW	8		TBD	Call TI	Call TI
UCC386PWTR	OBSOLETE	TSSOP	PW	8		TBD	Call TI	Call TI
UCC387DP	OBSOLETE	SOIC	D	8		TBD	Call TI	Call TI
UCC387DPTR	OBSOLETE	SOIC	D	8		TBD	Call TI	Call TI
UCC387PW	OBSOLETE	TSSOP	PW	8		TBD	Call TI	Call TI
UCC387PWTR	OBSOLETE	TSSOP	PW	8		TBD	Call TI	Call TI
UCC388DP	OBSOLETE	SOIC	D	8		TBD	Call TI	Call TI
UCC388DPTR	OBSOLETE	SOIC	D	8		TBD	Call TI	Call TI
UCC388PW	OBSOLETE	TSSOP	PW	8		TBD	Call TI	Call TI
UCC388PWTR	OBSOLETE	TSSOP	PW	8		TBD	Call TI	Call TI

<sup>(1)</sup> The marketing status values are defined as follows:

**ACTIVE:** Product device recommended for new designs.

**LIFEBUY:** TI has announced that the device will be discontinued, and a lifetime-buy period is in effect.

**NRND:** Not recommended for new designs. Device is in production to support existing customers, but TI does not recommend using this part in a new design.

**PREVIEW:** Device has been announced but is not in production. Samples may or may not be available.

**OBSOLETE:** TI has discontinued the production of the device.

<sup>(2)</sup> Eco Plan - The planned eco-friendly classification: Pb-Free (RoHS), Pb-Free (RoHS Exempt), or Green (RoHS & no Sb/Br) - please check <http://www.ti.com/productcontent> for the latest availability information and additional product content details.

**TBD:** The Pb-Free/Green conversion plan has not been defined.

**Pb-Free (RoHS):** TI's terms "Lead-Free" or "Pb-Free" mean semiconductor products that are compatible with the current RoHS requirements for all 6 substances, including the requirement that lead not exceed 0.1% by weight in homogeneous materials. Where designed to be soldered at high temperatures, TI Pb-Free products are suitable for use in specified lead-free processes.

**Pb-Free (RoHS Exempt):** This component has a RoHS exemption for either 1) lead-based flip-chip solder bumps used between the die and package, or 2) lead-based die adhesive used between the die and leadframe. The component is otherwise considered Pb-Free (RoHS compatible) as defined above.

**Green (RoHS & no Sb/Br):** TI defines "Green" to mean Pb-Free (RoHS compatible), and free of Bromine (Br) and Antimony (Sb) based flame retardants (Br or Sb do not exceed 0.1% by weight in homogeneous material)

<sup>(3)</sup> MSL, Peak Temp. -- The Moisture Sensitivity Level rating according to the JEDEC industry standard classifications, and peak solder temperature.

**Important Information and Disclaimer:** The information provided on this page represents TI's knowledge and belief as of the date that it is provided. TI bases its knowledge and belief on information provided by third parties, and makes no representation or warranty as to the accuracy of such information. Efforts are underway to better integrate information from third parties. TI has taken and continues to take reasonable steps to provide representative and accurate information but may not have conducted destructive testing or chemical analysis on incoming materials and chemicals. TI and TI suppliers consider certain information to be proprietary, and thus CAS numbers and other limited information may not be available for release.

In no event shall TI's liability arising out of such information exceed the total purchase price of the TI part(s) at issue in this document sold by TI to Customer on an annual basis.



## IMPORTANT NOTICE

Texas Instruments Incorporated and its subsidiaries (TI) reserve the right to make corrections, modifications, enhancements, improvements, and other changes to its products and services at any time and to discontinue any product or service without notice. Customers should obtain the latest relevant information before placing orders and should verify that such information is current and complete. All products are sold subject to TI's terms and conditions of sale supplied at the time of order acknowledgment.

TI warrants performance of its hardware products to the specifications applicable at the time of sale in accordance with TI's standard warranty. Testing and other quality control techniques are used to the extent TI deems necessary to support this warranty. Except where mandated by government requirements, testing of all parameters of each product is not necessarily performed.

TI assumes no liability for applications assistance or customer product design. Customers are responsible for their products and applications using TI components. To minimize the risks associated with customer products and applications, customers should provide adequate design and operating safeguards.

TI does not warrant or represent that any license, either express or implied, is granted under any TI patent right, copyright, mask work right, or other TI intellectual property right relating to any combination, machine, or process in which TI products or services are used. Information published by TI regarding third-party products or services does not constitute a license from TI to use such products or services or a warranty or endorsement thereof. Use of such information may require a license from a third party under the patents or other intellectual property of the third party, or a license from TI under the patents or other intellectual property of TI.

Reproduction of TI information in TI data books or data sheets is permissible only if reproduction is without alteration and is accompanied by all associated warranties, conditions, limitations, and notices. Reproduction of this information with alteration is an unfair and deceptive business practice. TI is not responsible or liable for such altered documentation. Information of third parties may be subject to additional restrictions.

Resale of TI products or services with statements different from or beyond the parameters stated by TI for that product or service voids all express and any implied warranties for the associated TI product or service and is an unfair and deceptive business practice. TI is not responsible or liable for any such statements.

TI products are not authorized for use in safety-critical applications (such as life support) where a failure of the TI product would reasonably be expected to cause severe personal injury or death, unless officers of the parties have executed an agreement specifically governing such use. Buyers represent that they have all necessary expertise in the safety and regulatory ramifications of their applications, and acknowledge and agree that they are solely responsible for all legal, regulatory and safety-related requirements concerning their products and any use of TI products in such safety-critical applications, notwithstanding any applications-related information or support that may be provided by TI. Further, Buyers must fully indemnify TI and its representatives against any damages arising out of the use of TI products in such safety-critical applications.

TI products are neither designed nor intended for use in military/aerospace applications or environments unless the TI products are specifically designated by TI as military-grade or "enhanced plastic." Only products designated by TI as military-grade meet military specifications. Buyers acknowledge and agree that any such use of TI products which TI has not designated as military-grade is solely at the Buyer's risk, and that they are solely responsible for compliance with all legal and regulatory requirements in connection with such use.

TI products are neither designed nor intended for use in automotive applications or environments unless the specific TI products are designated by TI as compliant with ISO/TS 16949 requirements. Buyers acknowledge and agree that, if they use any non-designated products in automotive applications, TI will not be responsible for any failure to meet such requirements.

Following are URLs where you can obtain information on other Texas Instruments products and application solutions:

### Products

Amplifiers	<a href="http://amplifier.ti.com">amplifier.ti.com</a>
Data Converters	<a href="http://dataconverter.ti.com">dataconverter.ti.com</a>
DSP	<a href="http://dsp.ti.com">dsp.ti.com</a>
Clocks and Timers	<a href="http://www.ti.com/clocks">www.ti.com/clocks</a>
Interface	<a href="http://interface.ti.com">interface.ti.com</a>
Logic	<a href="http://logic.ti.com">logic.ti.com</a>
Power Mgmt	<a href="http://power.ti.com">power.ti.com</a>
Microcontrollers	<a href="http://microcontroller.ti.com">microcontroller.ti.com</a>
RFID	<a href="http://www.ti-rfid.com">www.ti-rfid.com</a>
RF/IF and ZigBee® Solutions	<a href="http://www.ti.com/lprf">www.ti.com/lprf</a>

### Applications

Audio	<a href="http://www.ti.com/audio">www.ti.com/audio</a>
Automotive	<a href="http://www.ti.com/automotive">www.ti.com/automotive</a>
Broadband	<a href="http://www.ti.com/broadband">www.ti.com/broadband</a>
Digital Control	<a href="http://www.ti.com/digitalcontrol">www.ti.com/digitalcontrol</a>
Medical	<a href="http://www.ti.com/medical">www.ti.com/medical</a>
Military	<a href="http://www.ti.com/military">www.ti.com/military</a>
Optical Networking	<a href="http://www.ti.com/opticalnetwork">www.ti.com/opticalnetwork</a>
Security	<a href="http://www.ti.com/security">www.ti.com/security</a>
Telephony	<a href="http://www.ti.com/telephony">www.ti.com/telephony</a>
Video & Imaging	<a href="http://www.ti.com/video">www.ti.com/video</a>
Wireless	<a href="http://www.ti.com/wireless">www.ti.com/wireless</a>

Mailing Address: Texas Instruments, Post Office Box 655303, Dallas, Texas 75265  
Copyright © 2008, Texas Instruments Incorporated