

## ISL43L840

Ultra Low ON-Resistance, Low-Voltage, Single Supply, Dual 4 to 1 Analog Multiplexer

FN6096  
Rev 1.00  
October 12, 2004

The Intersil ISL43L840 device is a precision, bidirectional, analog switch configured as a dual 4-channel multiplexer/demultiplexer, designed to operate from a single +1.6V to +3.6V supply.

ON resistance is 0.5Ω with a +3V supply and 0.62Ω with a single +1.8V supply. Each switch can handle rail to rail analog signals. The off-leakage current is only 4nA max at +25°C and 30nA max at +85°C with a +3.3V supply.

All digital inputs are 1.8V logic-compatible when using a single +3V supply.

The ISL43L840 is a dual 4 to 1 multiplexer device that is offered in a 16 Ld TSSOP and 16 Ld 3x3 QFN packages.

Table 1 summarizes the performance of this family.

**TABLE 1. FEATURES AT A GLANCE**

	<b>ISL43L840</b>
Configuration	Dual 4:1 Mux
<b>3V R<sub>ON</sub></b>	0.5Ω
<b>3V t<sub>TRANS</sub></b>	19ns
<b>1.8V R<sub>ON</sub></b>	0.62Ω
<b>1.8V t<sub>TRANS</sub></b>	24ns
<b>Packages</b>	16 Ld TSSOP, 16 Ld 3x3 QFN

### Related Literature

- Technical Brief TB363 “Guidelines for Handling and Processing Moisture Sensitive Surface Mount Devices (SMDs)”
- Application Note AN557 “Recommended Test Procedures for Analog Switches”

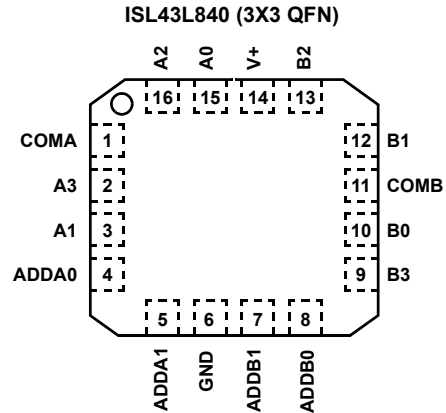
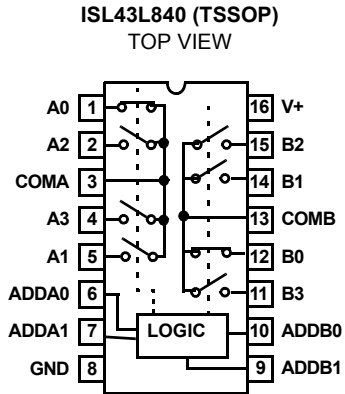
### Features

- ON Resistance (R<sub>ON</sub>)
  - V+ = +3.0V ..... 0.5Ω
  - V+ = +1.8V ..... 0.62Ω
- R<sub>ON</sub> Matching Between Channels ..... 0.12Ω
- R<sub>ON</sub> Flatness Across Signal Range ..... 0.056Ω
- Single Supply Operation ..... +1.6V to +3.6V
- Low Power Consumption (PD) ..... <0.2μW
- Fast Switching Action (V<sub>S</sub> = +3V)
  - t<sub>TRANS</sub> ..... 19ns
- Guaranteed Break-Before-Make
- High Current Handling Capacity (300mA Continuous)
- Available in 16 Ld 3x3 QFN and 16 Ld TSSOP
- 1.8V CMOS-Logic Compatible (+3V Supply)
- Pb-Free Available as an Option (RoHS Compliant) (see Ordering Info)

### Applications

- Battery Powered, Handheld, and Portable Equipment
  - Cellular/Mobile Phones
  - Pagers
  - Laptops, Notebooks, Palmtops
- Portable Test and Measurement
- Medical Equipment
- Audio and Video Switching

**Pinouts** (Note 1)



NOTE:

1. Switches Shown for Logic "0" Inputs.

**Truth Table**

ISL43L840				
ADDA1	ADDA0	ADDB1	ADDB0	SWITCH ON
0	0	X	X	A0
0	1	X	X	A1
1	0	X	X	A2
1	1	X	X	A3
X	X	0	0	B0
X	X	0	1	B1
X	X	1	0	B2
X	X	1	1	B3

NOTE: Logic "0" ≤ 0.5V. Logic "1" ≥ 1.4V, with a 3V supply. X = Don't Care.

**Pin Descriptions**

PIN	FUNCTION
V+	System Power Supply Input (1.6V to 3.6V)
GND	Ground Connection
COMA	Analog Switch Channel A Output
COMB	Analog Switch Channel B Output
A0-A3	Analog Switch Channel A Input
B0-B3	Analog Switch Channel B Input
ADDAx	Address Input Pin
ADDBx	Address Input Pin

**Ordering Information**

PART NO.	TEMP. RANGE (°C)	PACKAGE	PKG. DWG. #
ISL43L840IV	-40 to 85	16 Ld TSSOP	M16.173
ISL43L840IV-T	-40 to 85	16 Ld TSSOP Tape & Reel	M16.173
ISL43L840IR	-40 to 85	16 Ld 3x3 QFN	L16.3x3
ISL43L840IR-T	-40 to 85	16 Ld 3x3 QFN Tape & Reel	L16.3x3
ISL43L840IVZ (See Note)	-40 to 85	16 Ld TSSOP (Pb-free)	M16.173
ISL43L840IVZ-T (See Note)	-40 to 85	16 Ld TSSOP Tape and Reel (Pb-free)	M16.173
ISL43L840IRZ (See Note)	-40 to 85	16 Ld 3x3 QFN (Pb-free)	L16.3x3
ISL43L840IRZ-T (See Note)	-40 to 85	16 Ld 3x3 QFN Tape and Reel (Pb-free)	L16.3x3

NOTE: Intersil Pb-free products employ special Pb-free material sets; molding compounds/die attach materials and 100% matte tin plate termination finish, which are RoHS compliant and compatible with both SnPb and Pb-free soldering operations. Intersil Pb-free products are MSL classified at Pb-free peak reflow temperatures that meet or exceed the Pb-free requirements of IPC/JEDEC J STD-020C.

**Absolute Maximum Ratings**

V+ to GND	-0.3 to 4.7V
Input Voltages	
Ax, Bx, ADDx (Note 2)	-0.3 to (V+) + 0.3V
Output Voltages	
COMx (Note 2)	-0.3 to (V+) + 0.3V
Continuous Current NO or COM	±300mA
Peak Current NO or COM	
(Pulsed 1ms, 10% Duty Cycle, Max)	±500mA
ESD Rating	
HBM	>4kV

**Thermal Information**

Thermal Resistance (Typical, Note 3)	$\theta_{JA}$ (°C/W)
16 Ld TSSOP Package	150
16 Ld 3x3 QFN Package	75
Maximum Junction Temperature (Plastic Package)	150°C
Maximum Storage Temperature Range	-65°C to 150°C
Maximum Lead Temperature (Soldering 10s)	300°C
(Lead Tips Only)	

**Operating Conditions**

Temperature Range	
ISL43L840IX	-40°C to 85°C

**CAUTION:** Stresses above those listed in "Absolute Maximum Ratings" may cause permanent damage to the device. This is a stress only rating and operation of the device at these or any other conditions above those indicated in the operational sections of this specification is not implied.

**NOTES:**

- Signals on Ax, Bx, COMx, ADDx exceeding V+ or GND are clamped by internal diodes. Limit forward diode current to maximum current ratings.
- $\theta_{JA}$  is measured with the component mounted on a high effective thermal conductivity test board in free air. See Tech Brief TB379 for details.

**Electrical Specifications - 3V Supply** Test Conditions:  $V_{SUPPLY} = +2.7V$  to  $+3.3V$ ,  $GND = 0V$ ,  $V_{INH} = 1.4V$ ,  $V_{INL} = 0.5V$  (Notes 4, 8), Unless Otherwise Specified

PARAMETER	TEST CONDITIONS	TEMP (°C)	(NOTE 5) MIN	TYP	(NOTE 5) MAX	UNITS
<b>ANALOG SWITCH CHARACTERISTICS</b>						
Analog Signal Range, $V_{ANALOG}$		Full	0	-	V+	V
ON Resistance, $R_{ON}$	$V+ = 2.7V$ , $I_{COM} = 100mA$ , $V_{Ax}$ or $V_{Bx} = 0V$ to $V+$ , (See Figure 5)	25	-	0.5	0.75	$\Omega$
		Full	-	-	0.8	$\Omega$
$R_{ON}$ Matching Between Channels, $\Delta R_{ON}$	$V+ = 2.7V$ , $I_{COM} = 100mA$ , $V_{Ax}$ or $V_{Bx} =$ Voltage at max $R_{ON}$ , (Note 6)	25	-	0.12	0.2	$\Omega$
		Full	-	-	0.2	$\Omega$
$R_{ON}$ Flatness, $R_{FLAT(ON)}$	$V+ = 2.7V$ , $I_{COM} = 100mA$ , $V_{Ax}$ or $V_{Bx} = 0V$ to $V+$ , (Note 7)	25	-	0.056	0.15	$\Omega$
		Full	-	-	0.15	$\Omega$
Ax or Bx OFF Leakage Current, $I_{Ax(OFF)}$ or $I_{Bx(OFF)}$	$V+ = 3.3V$ , $V_{COM} = 0.3V, 3V$ , $V_{Ax}$ or $V_{Bx} = 3V, 0.3V$	25	-4	-	4	nA
		Full	-30	-	30	nA
COM ON Leakage Current, $I_{COM(ON)}$	$V+ = 3.3V$ , $V_{COM} = V_{Ax}$ or $V_{Bx} = 0.3V, 3V$	25	-8	-	8	nA
		Full	-60	-	60	nA
<b>DIGITAL INPUT CHARACTERISTICS</b>						
Input Voltage High, $V_{INH}$ , $V_{ADDH}$		Full	1.4	-	-	V
Input Voltage Low, $V_{INL}$ , $V_{ADDL}$		Full	-	-	0.5	V
Input Current, $I_{INH}$ , $I_{INL}$ , $I_{ADDH}$ , $I_{ADDL}$	$V+ = 3.6V$ , $V_{INH} = V_{ADD} = 0V$ or $V+$ (Note 10)	Full	-0.5	-	0.5	$\mu A$
<b>DYNAMIC CHARACTERISTICS</b>						
Address Transition Time, $t_{TRANS}$	$V+ = 2.7V$ , $V_{Ax}$ or $V_{Bx} = 1.5V$ , $R_L = 50\Omega$ , $C_L = 35pF$ , (See Figure 1, Note 10)	25	-	19	28	ns
		Full	-	-	30	ns
Break-Before-Make Time, $t_{BBM}$	$V+ = 3.3V$ , $V_{Ax}$ or $V_{Bx} = 1.5V$ , $R_L = 50\Omega$ , $C_L = 35pF$ , (See Figure 3, Note 10)	25	-	4	-	ns
		Full	1	-	-	ns
Charge Injection, Q	$C_L = 1.0nF$ , $V_G = 0V$ , $R_G = 0\Omega$ , (See Figure 2)	25	-	-96	-	pC
Input OFF Capacitance, $C_{OFF}$	$f = 1MHz$ , $V_{Ax}$ or $V_{Bx} = V_{COM} = 0V$ , (See Figure 7)	25	-	62	-	pF
COM ON Capacitance, $C_{COM(ON)}$	$f = 1MHz$ , $V_{Ax}$ or $V_{Bx} = V_{COM} = 0V$ , (See Figure 7)	25	-	232	-	pF

**Electrical Specifications - 3V Supply** Test Conditions:  $V_{SUPPLY} = +2.7V$  to  $+3.3V$ ,  $GND = 0V$ ,  $V_{INH} = 1.4V$ ,  $V_{INL} = 0.5V$  (Notes 4, 8), Unless Otherwise Specified **(Continued)**

PARAMETER	TEST CONDITIONS	TEMP (°C)	(NOTE 5) MIN	TYP	(NOTE 5) MAX	UNITS
OFF Isolation	$R_L = 50\Omega$ , $C_L = 35pF$ , $f = 100kHz$ , (See Figures 4 and 6)	25	-	65	-	dB
Crosstalk, (Note 9)		25	-	-100	-	dB
Total Harmonic Distortion (THD)	$f = 20Hz$ to $20kHz$ , $0.5Vp-p$ , $R_L = 32\Omega$	25	-	0.02	-	%
<b>POWER SUPPLY CHARACTERISTICS</b>						
Power Supply Range		Full	1.6	-	3.6	V
Positive Supply Current, $I_+$	$V_+ = 3.6V$ , $V_{INH}$ , $V_{ADD} = 0V$ or $V_+$ , Switch On or Off	25	-	-	0.05	$\mu A$
		Full	-	-	0.9	$\mu A$

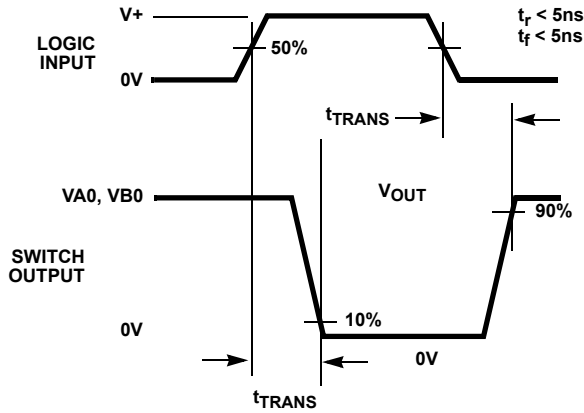
## NOTES:

- $V_{IN}$  = Input voltage to perform proper function.
- The algebraic convention, whereby the most negative value is a minimum and the most positive a maximum, is used in this data sheet.
- $R_{ON}$  matching between channels is calculated by subtracting the channel with the highest max Ron value from the channel with lowest max Ron value.
- Flatness is defined as the difference between maximum and minimum value of on-resistance over the specified analog signal range.
- Parts are 100% tested at  $+25^\circ C$ . Limits across the full temperature range are guaranteed by design and correlation.
- Between any two switches.
- Guaranteed but not tested.

**Electrical Specifications: 1.8V Supply** Test Conditions:  $V_+ = +1.8V$ ,  $GND = 0V$ ,  $V_{INH} = 1V$ ,  $V_{INL} = 0.4V$  (Note 4, 8), Unless Otherwise Specified

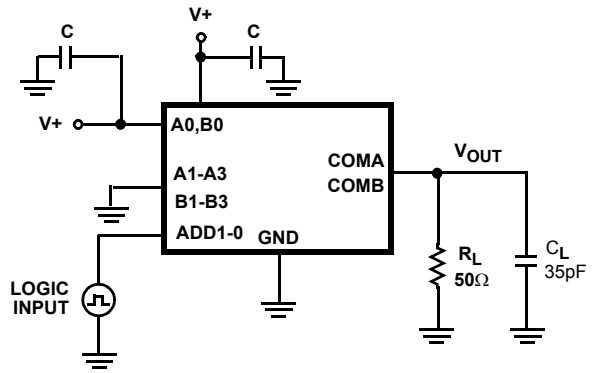
PARAMETER	TEST CONDITIONS	TEMP (°C)	MIN (NOTE 5)	TYP	MAX (NOTE 5)	UNIT S
<b>ANALOG SWITCH CHARACTERISTICS</b>						
Analog Signal Range, $V_{ANALOG}$		Full	0	-	$V_+$	V
ON Resistance, $R_{ON}$	$V_+ = 1.8V$ , $I_{COM} = 10.0mA$ , $V_{Ax}$ or $V_{Bx} = 1.0V$ , (See Figure 5)	25	-	0.62	0.85	$\Omega$
		Full	-	-	0.9	$\Omega$
$R_{ON}$ Matching Between Channels, $\Delta R_{ON}$	$V_+ = 1.8V$ , $I_{COM} = 10.0mA$ , $V_{Ax}$ or $V_{Bx} = 1.0V$ , (See Figure 5)	25	-	0.12	-	$\Omega$
		Full	-	0.12	-	$\Omega$
$R_{ON}$ Flatness, $R_{FLAT(ON)}$	$V_+ = 1.8V$ , $I_{COM} = 10.0mA$ , $V_{Ax}$ or $V_{Bx} = 0V, 0.9V, 1.6V$ , (See Figure 5)	25	-	0.14	-	$\Omega$
		Full	-	0.14	-	$\Omega$
<b>DIGITAL INPUT CHARACTERISTICS</b>						
Input Voltage High, $V_{INH}$ , $V_{ADDH}$		Full	1	-	-	V
Input Voltage Low, $V_{INL}$ , $V_{ADDL}$		Full	-	-	0.4	V
Input Current, $I_{INH}$ , $I_{INL}$ , $I_{ADDH}$ , $I_{ADDL}$	$V_+ = 1.8V$ , $V_{INH}$ , $V_{ADD} = 0V$ or $V_+$ (Note 10)	Full	-0.5	-	0.5	$\mu A$
<b>DYNAMIC CHARACTERISTICS</b>						
Address Transition Time, $t_{TRANS}$	$V_+ = 1.8V$ , $V_{Ax}$ or $V_{Bx} = 1.0V$ , $R_L = 50\Omega$ , $C_L = 35pF$ , (See Figure 1, Note 10)	25	-	24	33	ns
		Full	-	-	35	ns
Break-Before-Make Time, $t_{BBM}$	$V_+ = 1.8V$ , $V_{Ax}$ or $V_{Bx} = 1.0V$ , $R_L = 50\Omega$ , $C_L = 35pF$ , (See Figure 3, Note 10)	25	-	9	-	ns
Charge Injection, Q	$C_L = 1.0nF$ , $V_G = 0V$ , $R_G = 0\Omega$ , (See Figure 2)	25	-	-46	-	pC

**Test Circuits and Waveforms**



Logic input waveform is inverted for switches that have the opposite logic sense.

FIGURE 1A. ADDRESS  $t_{TRANS}$  MEASUREMENT POINTS



Repeat test for other switches.  $C_L$  includes fixture and stray capacitance.

$$V_{OUT} = V_{(NO \text{ or } NC)} \frac{R_L}{R_L + R_{(ON)}}$$

FIGURE 1B. ADDRESS  $t_{TRANS}$  TEST CIRCUIT

**FIGURE 1. SWITCHING TIMES**

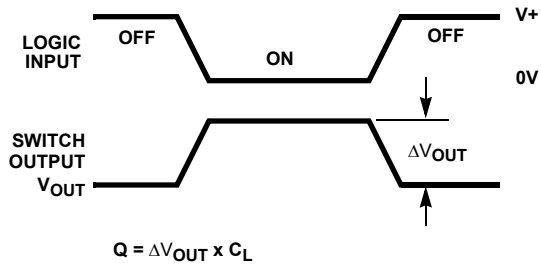
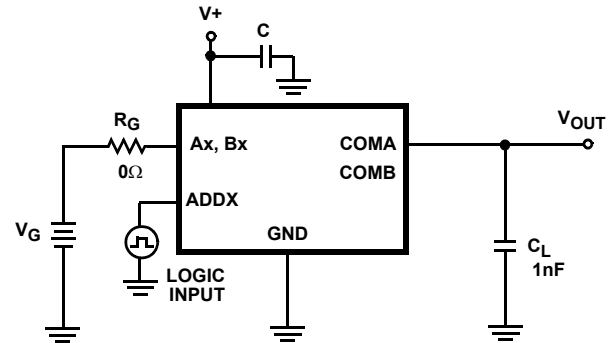


FIGURE 2A. Q MEASUREMENT POINTS



Repeat test for other switches.

FIGURE 2B. Q TEST CIRCUIT

**FIGURE 2. CHARGE INJECTION**

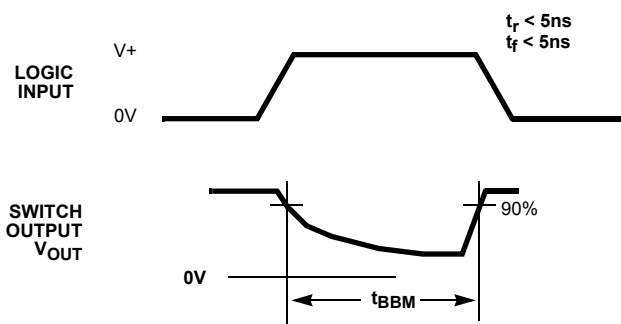
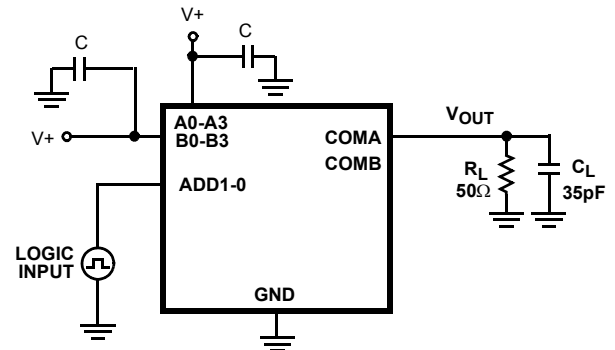


FIGURE 3A.  $t_{BBM}$  MEASUREMENT POINTS



Repeat test for other switches.  $C_L$  includes fixture and stray capacitance.

FIGURE 3B.  $t_{BBM}$  TEST CIRCUIT

**FIGURE 3. BREAK-BEFORE-MAKE TIME**

**Test Circuits and Waveforms (Continued)**

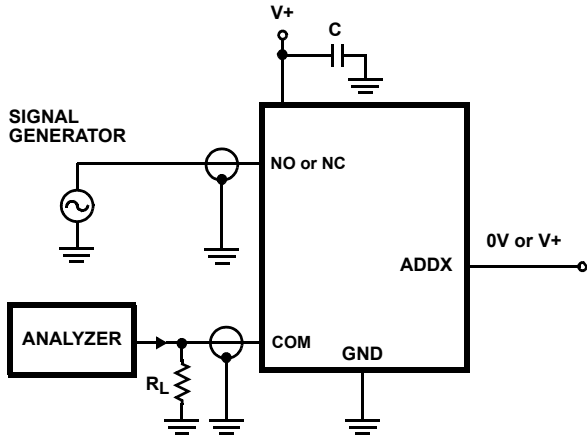


FIGURE 4. OFF ISOLATION TEST CIRCUIT

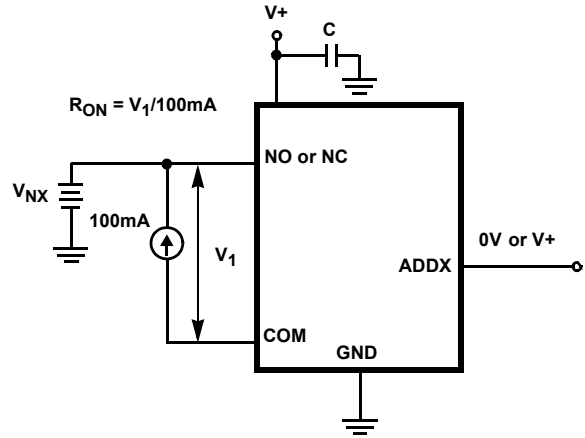


FIGURE 5.  $R_{ON}$  TEST CIRCUIT

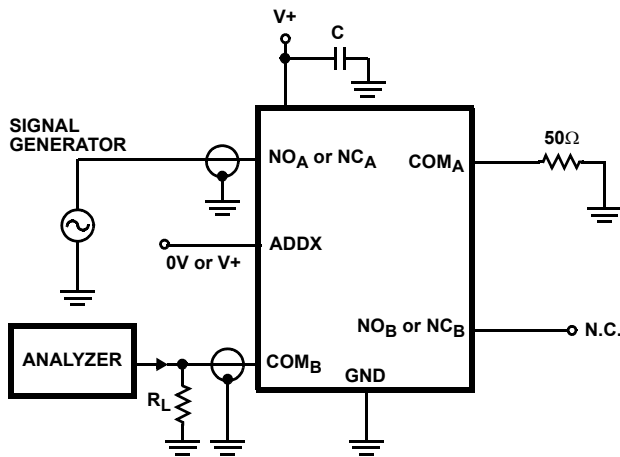


FIGURE 6. CROSSTALK TEST CIRCUIT

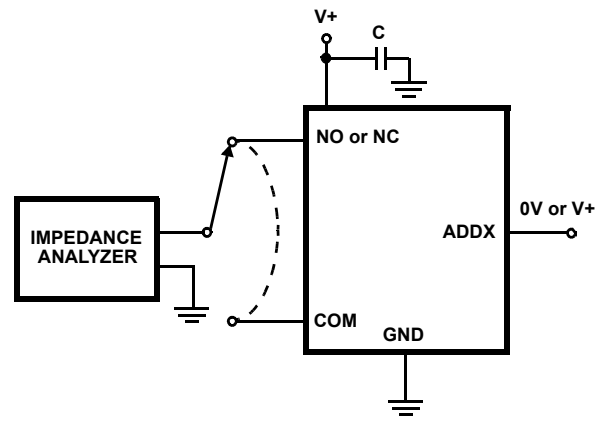


FIGURE 7. CAPACITANCE TEST CIRCUIT

**Detailed Description**

The ISL43L840 analog switches offer precise switching capability from a single 1.6V to 3.6V supply with low on-resistance ( $0.5\Omega$ ) and high speed operation ( $t_{RANS} = 19ns$ ). The device is especially well-suited to portable battery powered equipment thanks to the low operating supply voltage (1.6V), low power consumption ( $0.2\mu W$ ), and low leakage currents (60nA max). High frequency applications also benefit from the wide bandwidth, and the very high off isolation and crosstalk rejection.

**Supply Sequencing And Overvoltage Protection**

With any CMOS device, proper power supply sequencing is required to protect the device from excessive input currents which might permanently damage the IC. All I/O pins contain ESD protection diodes from the pin to V+ and to GND (see Figure 8). To prevent forward biasing these diodes, V+ must be applied before any input signals, and the input signal voltages must remain between V+ and GND. If these

conditions cannot be guaranteed, then one of the following two protection methods should be employed.

Logic inputs can easily be protected by adding a  $1k\Omega$  resistor in series with the input (see Figure 8). The resistor limits the input current below the threshold that produces permanent damage, and the sub-microamp input current produces an insignificant voltage drop during normal operation.

This method is not applicable for the signal path inputs. Adding a series resistor to the switch input defeats the purpose of using a low  $R_{ON}$  switch, so two small signal diodes can be added in series with the supply pins to provide overvoltage protection for all pins (see Figure 8). These additional diodes limit the analog signal from 1V below V+ to 1V above GND. The low leakage current performance is unaffected by this approach, but the switch signal range is

reduced and the resistance may increase, especially at low supply voltages.

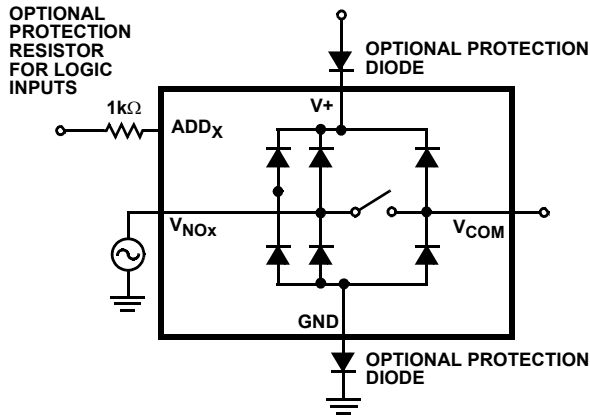


FIGURE 8. OVERVOLTAGE PROTECTION

### Power-Supply Considerations

The ISL43L840 construction is typical of most CMOS analog switches, in that they have two supply pins: V<sub>+</sub> and GND. V<sub>+</sub> and GND drive the internal CMOS switches and set their analog voltage limits. Unlike switches with a 4V maximum supply voltage, the ISL43L840 4.7V maximum supply voltage provides plenty of room for the 10% tolerance of 3.6V supplies, as well as room for overshoot and noise spikes.

The minimum recommended supply voltage is 1.6V but the part will operate with a supply below 1.5V. It is important to note that the input signal range, switching times, and on-resistance degrade at lower supply voltages. Refer to the electrical specification tables and *Typical Performance* curves for details.

V<sub>+</sub> and GND power the internal logic (thus setting the digital switching point) and level shifters. The level shifters convert the logic levels to switched V<sub>+</sub> and V<sub>-</sub> signals to drive the analog switch gate terminals.

### Logic-Level Thresholds

The device is 1.8V CMOS compatible (0.5V and 1.4V) over a supply range of 2.0V to 3.6V (see Figure 13). At 3.6V the V<sub>IH</sub> level is about 1.27V. This is still below the 1.8V CMOS guaranteed high output minimum level of 1.4V, but noise margin is reduced.

The digital input stages draw supply current whenever the digital input voltage is not at one of the supply rails. Driving the digital input signals from GND to V<sub>+</sub> with a fast transition time minimizes power dissipation.

### High-Frequency Performance

In 50Ω systems, signal response is reasonably flat even past 10MHz with a -3dB bandwidth of 70MHz (see Figure 15). The frequency response is very consistent over a wide V<sub>+</sub> range, and for varying analog signal levels.

An OFF switch acts like a capacitor and passes higher frequencies with less attenuation, resulting in signal feed-through from a switch's input to its output. Off Isolation is the resistance to this feed-through, while Crosstalk indicates the amount of feed-through from one switch to another. Figure 16 details the high Off Isolation and Crosstalk rejection provided by this family. At 100kHz, Off Isolation is about 65dB in 50Ω systems, decreasing approximately 20dB per decade as frequency increases. Higher load impedances decrease Off Isolation and Crosstalk rejection due to the voltage divider action of the switch OFF impedance and the load impedance.

### Leakage Considerations

Reverse ESD protection diodes are internally connected between each analog-signal pin and both V<sub>+</sub> and GND. One of these diodes conducts if any analog signal exceeds V<sub>+</sub> or GND.

Virtually all the analog leakage current comes from the ESD diodes to V<sub>+</sub> or GND. Although the ESD diodes on a given signal pin are identical and therefore fairly well balanced, they are reverse biased differently. Each is biased by either V<sub>+</sub> or GND and the analog signal. This means their leakages will vary as the signal varies. The difference in the two diode leakages to the V<sub>+</sub> and GND pins constitutes the analog-signal-path leakage current. All analog leakage current flows between each pin and one of the supply terminals, not to the other switch terminal. This is why both sides of a given switch can show leakage currents of the same or opposite polarity. There is no connection between the analog signal paths and V<sub>+</sub> or GND.

**Typical Performance Curves**  $T_A = 25^\circ\text{C}$ , Unless Otherwise Specified

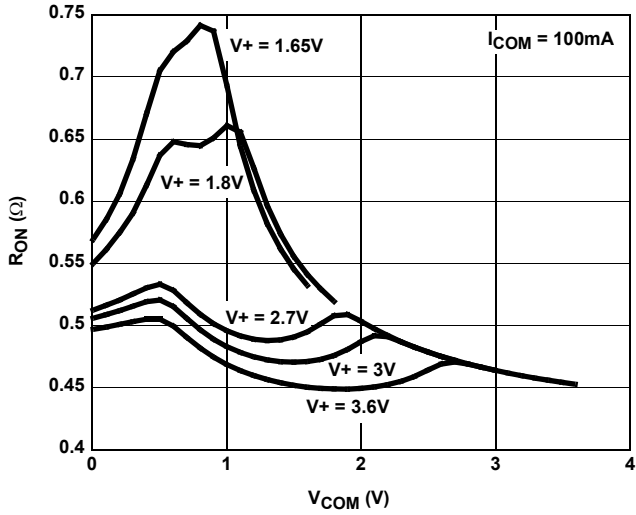


FIGURE 9. ON RESISTANCE vs SUPPLY VOLTAGE vs SWITCH VOLTAGE

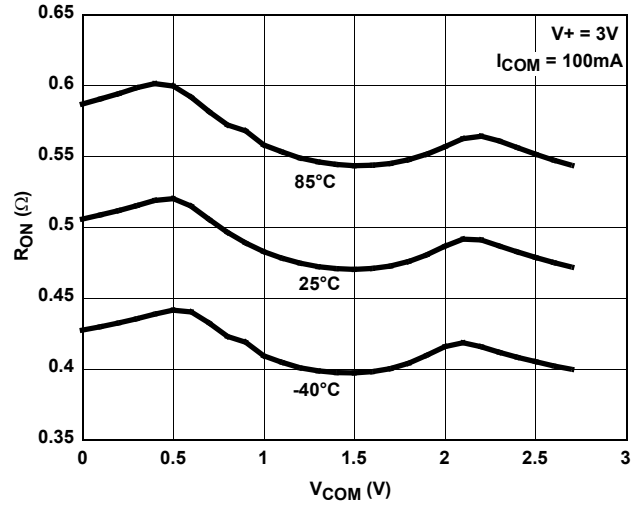


FIGURE 10. ON RESISTANCE vs SWITCH VOLTAGE

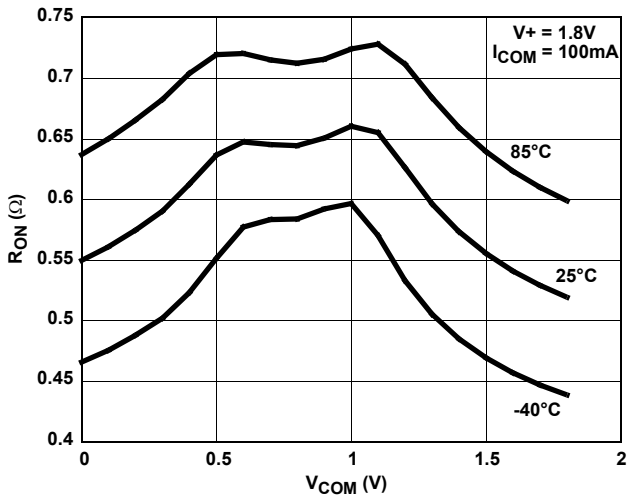


FIGURE 11. ON RESISTANCE vs SWITCH VOLTAGE

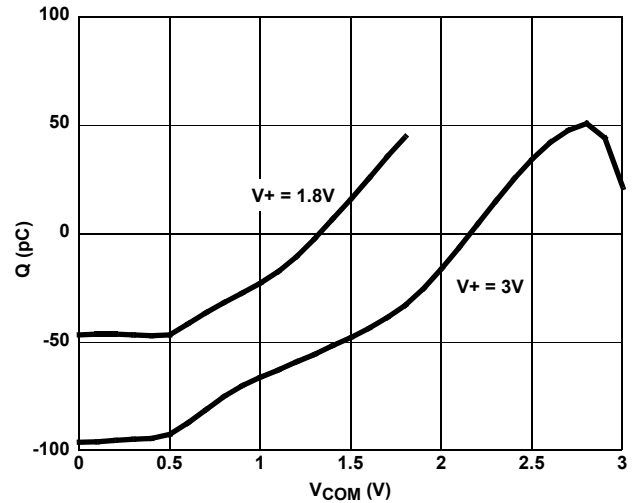


FIGURE 12. CHARGE INJECTION vs SWITCH VOLTAGE

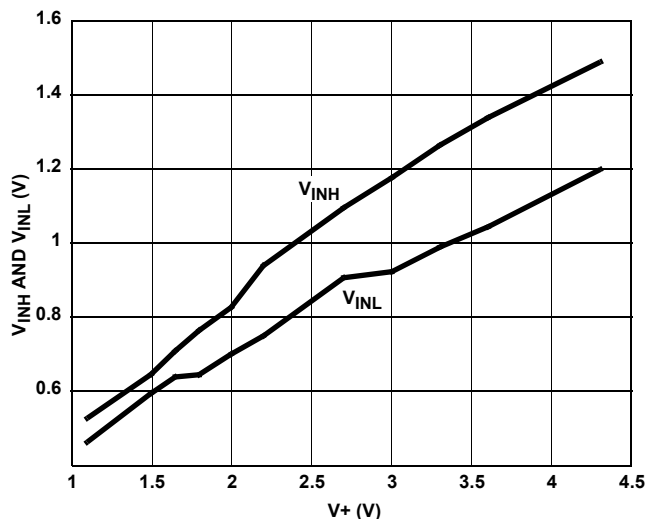


FIGURE 13. DIGITAL SWITCHING POINT vs SUPPLY VOLTAGE

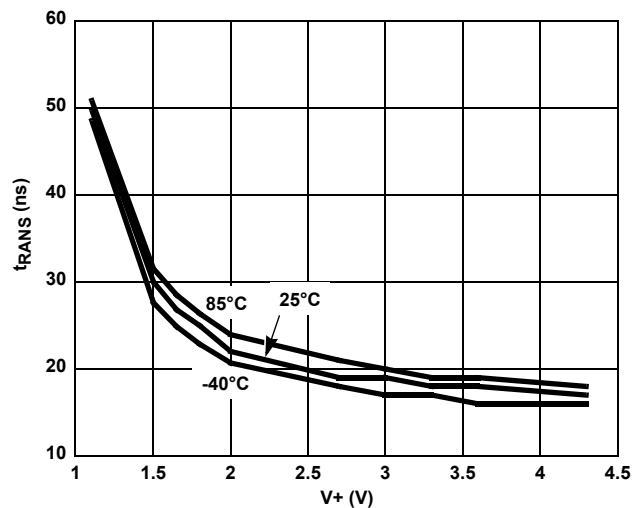


FIGURE 14. ADDRESS TRANS TIME vs SUPPLY VOLTAGE



**Typical Performance Curves**  $T_A = 25^\circ\text{C}$ , Unless Otherwise Specified (Continued)

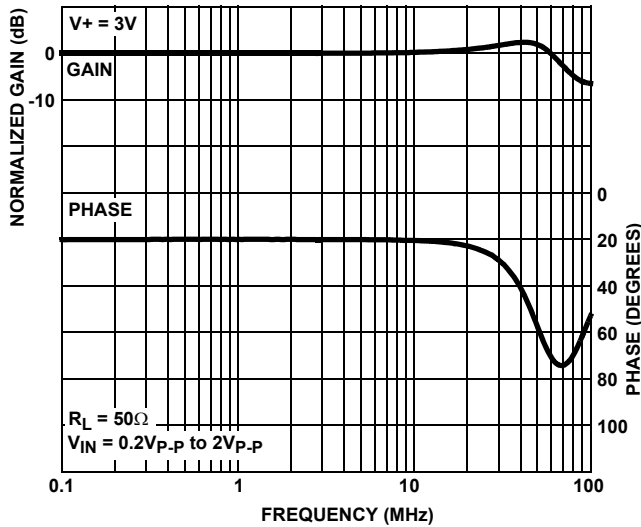


FIGURE 15. FREQUENCY RESPONSE

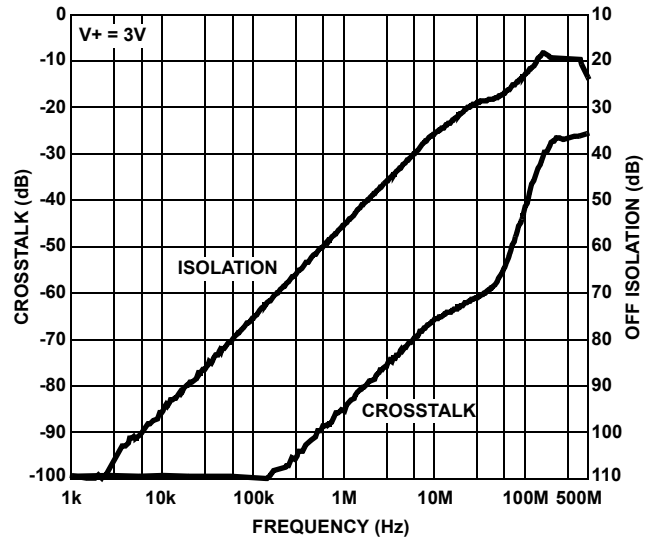


FIGURE 16. CROSSTALK AND OFF ISOLATION

**Die Characteristics**

**SUBSTRATE POTENTIAL (POWERED UP):**

GND (QFN Paddle Connection: To Ground or Float)

**TRANSISTOR COUNT:**

228

**PROCESS:**

Submicron CMOS

© Copyright Intersil Americas LLC 2004. All Rights Reserved.

All trademarks and registered trademarks are the property of their respective owners.

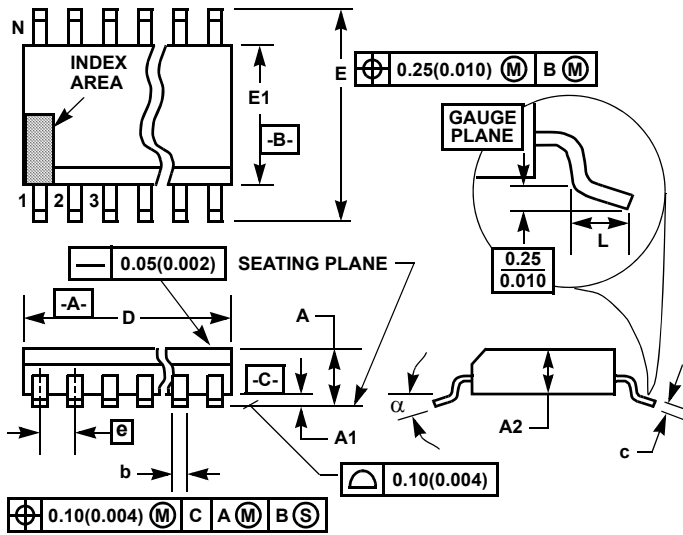
For additional products, see [www.intersil.com/en/products.html](http://www.intersil.com/en/products.html)

Intersil products are manufactured, assembled and tested utilizing ISO9001 quality systems as noted in the quality certifications found at [www.intersil.com/en/support/qualandreliability.html](http://www.intersil.com/en/support/qualandreliability.html)

*Intersil products are sold by description only. Intersil may modify the circuit design and/or specifications of products at any time without notice, provided that such modification does not, in Intersil's sole judgment, affect the form, fit or function of the product. Accordingly, the reader is cautioned to verify that datasheets are current before placing orders. Information furnished by Intersil is believed to be accurate and reliable. However, no responsibility is assumed by Intersil or its subsidiaries for its use; nor for any infringements of patents or other rights of third parties which may result from its use. No license is granted by implication or otherwise under any patent or patent rights of Intersil or its subsidiaries.*

For information regarding Intersil Corporation and its products, see [www.intersil.com](http://www.intersil.com)

**Thin Shrink Small Outline Plastic Packages (TSSOP)**



**M16.173**  
16 LEAD THIN SHRINK SMALL OUTLINE PLASTIC PACKAGE

SYMBOL	INCHES		MILLIMETERS		NOTES
	MIN	MAX	MIN	MAX	
A	-	0.043	-	1.10	-
A1	0.002	0.006	0.05	0.15	-
A2	0.033	0.037	0.85	0.95	-
b	0.0075	0.012	0.19	0.30	9
c	0.0035	0.008	0.09	0.20	-
D	0.193	0.201	4.90	5.10	3
E1	0.169	0.177	4.30	4.50	4
e	0.026 BSC		0.65 BSC		-
E	0.246	0.256	6.25	6.50	-
L	0.020	0.028	0.50	0.70	6
N	16		16		7
α	0°	8°	0°	8°	-

**NOTES:**

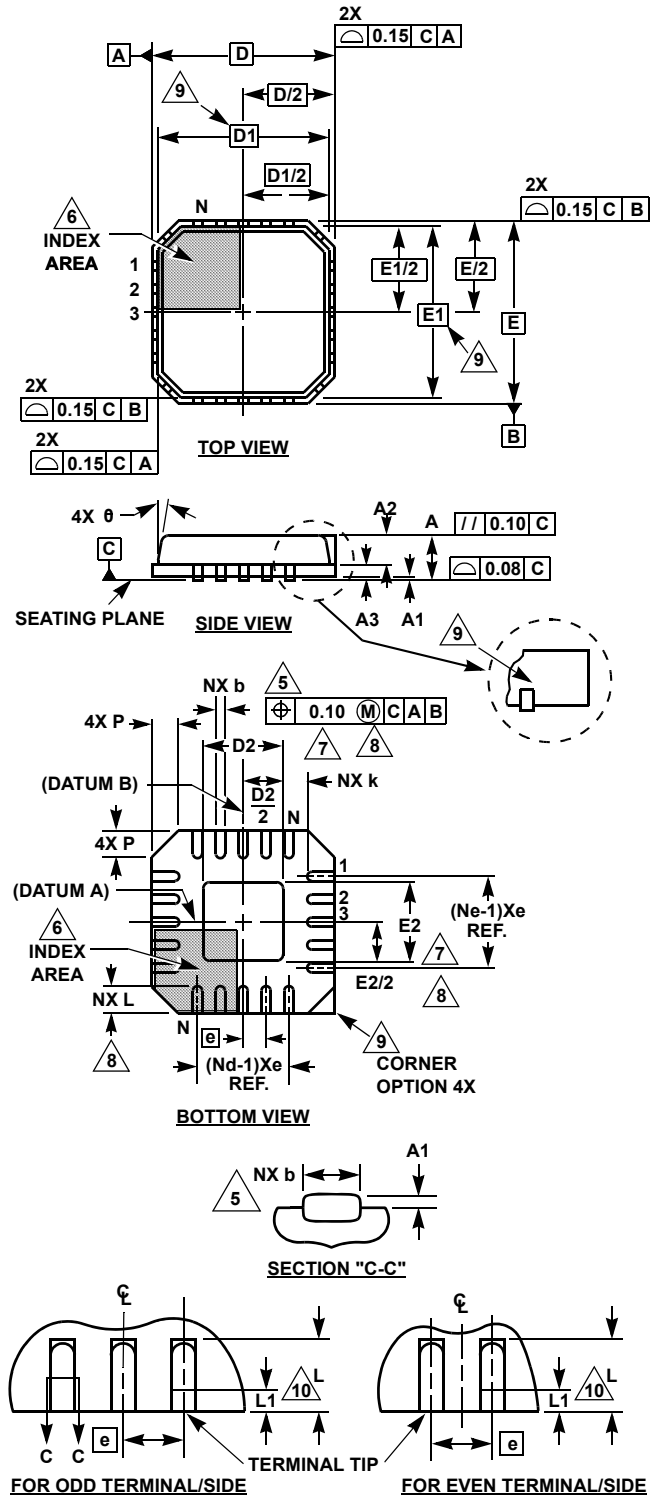
1. These package dimensions are within allowable dimensions of JEDEC MO-153-AB, Issue E.
2. Dimensioning and tolerancing per ANSI Y14.5M-1982.
3. Dimension "D" does not include mold flash, protrusions or gate burrs. Mold flash, protrusion and gate burrs shall not exceed 0.15mm (0.006 inch) per side.
4. Dimension "E1" does not include interlead flash or protrusions. Interlead flash and protrusions shall not exceed 0.15mm (0.006 inch) per side.
5. The chamfer on the body is optional. If it is not present, a visual index feature must be located within the crosshatched area.
6. "L" is the length of terminal for soldering to a substrate.
7. "N" is the number of terminal positions.
8. Terminal numbers are shown for reference only.
9. Dimension "b" does not include dambar protrusion. Allowable dambar protrusion shall be 0.08mm (0.003 inch) total in excess of "b" dimension at maximum material condition. Minimum space between protrusion and adjacent lead is 0.07mm (0.0027 inch).
10. Controlling dimension: MILLIMETER. Converted inch dimensions are not necessarily exact. (Angles in degrees)

Rev. 1 2/02

**Quad Flat No-Lead Plastic Package (QFN)  
Micro Lead Frame Plastic Package (MLFP)**

**L16.3x3**

**16 LEAD QUAD FLAT NO-LEAD PLASTIC PACKAGE**



SYMBOL	MILLIMETERS			NOTES
	MIN	NOMINAL	MAX	
A	0.80	0.90	1.00	-
A1	-	-	0.05	-
A2	-	-	1.00	9
A3	0.20 REF			9
b	0.18	0.23	0.30	5, 8
D	3.00 BSC			-
D1	2.75 BSC			9
D2	1.35	1.50	1.65	7, 8, 10
E	3.00 BSC			-
E1	2.75 BSC			9
E2	1.35	1.50	1.65	7, 8, 10
e	0.50 BSC			-
k	0.20	-	-	-
L	0.30	0.40	0.50	8
N	16			2
Nd	4			3
Ne	4			3
P	-	-	0.60	9
θ	-	-	12	9

Rev. 1 6/04

**NOTES:**

1. Dimensioning and tolerancing conform to ASME Y14.5-1994.
2. N is the number of terminals.
3. Nd and Ne refer to the number of terminals on each D and E.
4. All dimensions are in millimeters. Angles are in degrees.
5. Dimension b applies to the metallized terminal and is measured between 0.15mm and 0.30mm from the terminal tip.
6. The configuration of the pin #1 identifier is optional, but must be located within the zone indicated. The pin #1 identifier may be either a mold or mark feature.
7. Dimensions D2 and E2 are for the exposed pads which provide improved electrical and thermal performance.
8. Nominal dimensions are provided to assist with PCB Land Pattern Design efforts, see Intersil Technical Brief TB389.
9. Features and dimensions A2, A3, D1, E1, P & θ are present when Anvil singulation method is used and not present for saw singulation.
10. Compliant to JEDEC MO-220VEED-2 Issue C, except for the E2 and D2 MAX dimension.