

## GENERAL DESCRIPTION

The XRP7659 is a current-mode PWM step-down (buck) voltage regulator capable of delivering an output current up to 1.5Amps. A wide 4.5V to 18V input voltage range allows for single supply operation from industry standard 5V, 9.6V and 12V power rails.

With a 1.4MHz constant operating frequency, integrated high-side MOSFET and loop compensation, the XRP7659 reduces the overall component count and solution footprint. Current-mode control provides fast transient response and cycle-by-cycle current limit. An integrated soft-start prevents inrush current at turn-on, and in shutdown mode the supply current drops to 0.1 $\mu$ A.

Built-in output over voltage (open load), over temperature, cycle-by-cycle over-current and under voltage lockout (UVLO) protection insure safe operation under abnormal operating conditions.

The XRP7659 is a pin and function compatible ( $V_{IN} < 18V$ ) device to Monolithic Power Systems MP2359.

The XRP7659 is offered in a RoHS compliant, "green"/halogen free 6-pin SOT-23 package.

## APPLICATIONS

- **Distributed Power Architectures**
- **Point of Load Converters**
- **Audio-Video Equipment**
- **Medical & Industrial Equipment**

## FEATURES

- **1.5A Continuous Output Current**
  - **4.5V to 18V Wide Input Voltage**
  - **PWM Current-Mode Control**
    - 1.4MHz Constant Operation
    - Up to 92% Efficiency
  - **Adjustable Output Voltage**
    - 0.81V to 15V Range
    - $\pm 3\%$  Accuracy
  - **Enable Function and Soft Start**
  - **Built-in Thermal, Over-Current, UVLO and Output Over-Voltage Protection**
  - **Pin/Function Compatible to MP2359**
- RoHS Compliant, "Green"/Halogen Free 6-Pin SOT-23 Package**

## TYPICAL APPLICATION DIAGRAM

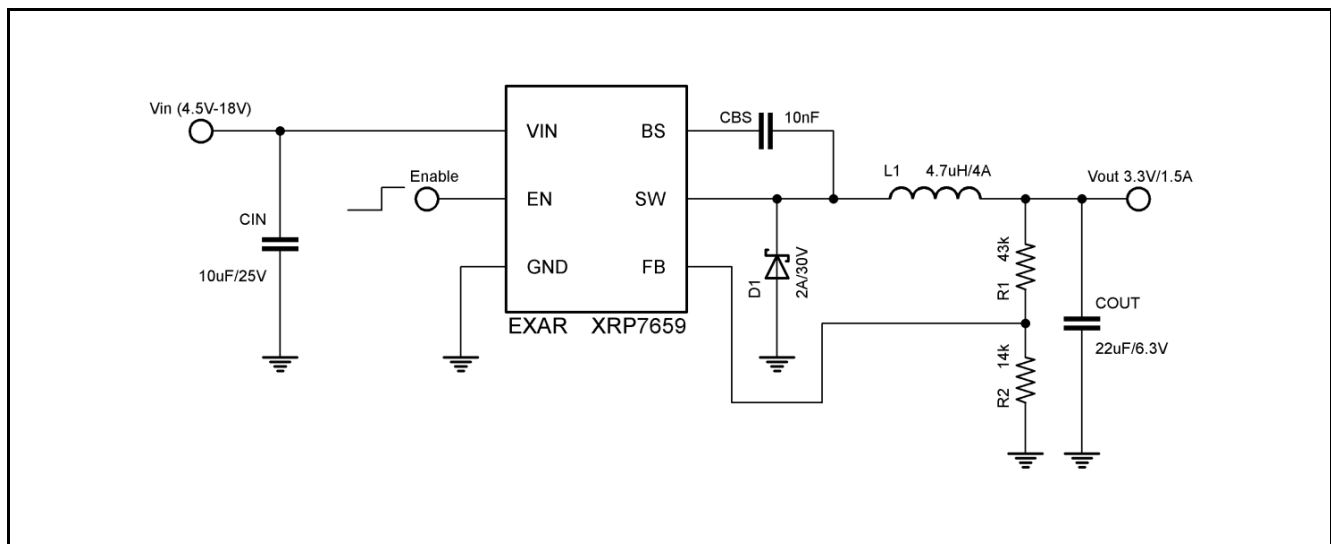


Fig. 1: XRP7659 Application Diagram



**1.5A 18V 1.4MHz Non Synchronous Step-Down Regulator**

**ABSOLUTE MAXIMUM RATINGS**

These are stress ratings only and functional operation of the device at these ratings or any other above those indicated in the operation sections of the specifications below is not implied. Exposure to absolute maximum rating conditions for extended periods of time may affect reliability.

- V<sub>IN</sub>..... -0.3V to 20V
- V<sub>EN</sub> ..... -0.3V to V<sub>IN</sub>+0.3V
- V<sub>SW</sub> ..... 21V
- V<sub>BS</sub> ..... -0.3V to V<sub>SW</sub>+6V
- V<sub>FB</sub>..... -0.3V to 6V
- Operating Junction Temperature..... 150°C
- Storage Temperature..... -65°C to 150°C
- Lead Temperature (Soldering, 10 sec) ..... 260°C
- Power Dissipation ..... Internally Limited
- ESD Rating (HBM - Human Body Model) ..... 2kV
- ESD Rating (MM - Machine Model) .....500V

**OPERATING RATINGS**

- Input Voltage Range V<sub>IN</sub>.....4.5V to 18V
- Maximum Output Current I<sub>OUT</sub> (Min) ..... 1.5A
- Ambient Temperature Range ..... -40°C to +85°C
- Thermal Resistance  $\theta_{JA}$  .....220°C/W

**ELECTRICAL SPECIFICATIONS**

Specifications are for an Operating Junction Temperature of T<sub>J</sub> = 25°C only; limits applying over the full Operating Junction Temperature range are denoted by a “•”. Minimum and Maximum limits are guaranteed through test, design, or statistical correlation. Typical values represent the most likely parametric norm at T<sub>J</sub> = 25°C, and are provided for reference purposes only. Unless otherwise indicated, V<sub>IN</sub> = V<sub>EN</sub> = 12V, V<sub>OUT</sub> = 3.3V.

Parameter	Min.	Typ.	Max.	Units	Conditions
V <sub>IN</sub> , Input Voltage	4.5		18	V	•
I <sub>Q</sub> , Quiescent Current		0.8	1.1	mA	V <sub>FB</sub> =0.9V
I <sub>SHDN</sub> , Shutdown Supply Current		0.1	1.0	µA	V <sub>EN</sub> =0V
V <sub>FB</sub> , Feedback Voltage	0.785	0.810	0.835	V	
V <sub>FBOV</sub> , Feedback Overvoltage Threshold		0.972		V	
I <sub>FB</sub> , Feedback Bias Current	-0.1		+0.1	µA	V <sub>FB</sub> =0.85V
R <sub>DSON</sub> , Switch On-resistance <sup>(1)</sup>		0.35		Ω	I <sub>SW</sub> =1A
I <sub>LEAK</sub> , Switch Leakage Current		0.1	10	µA	V <sub>IN</sub> =18V, V <sub>EN</sub> =0V
I <sub>LIM</sub> , Switch Current Limit	1.8	2.4		A	
V <sub>ENH</sub> , EN Pin Threshold	1.5			V	
V <sub>ENL</sub> , EN Pin Threshold			0.4	V	
V <sub>UVLO</sub> , Input UVLO Threshold	3.3	3.8	4.3	V	V <sub>IN</sub> Rising
V <sub>HYS</sub> , Input UVLO Hysteresis		0.2		V	
f <sub>OSC1</sub> , Oscillator frequency	1.1	1.4	1.7	MHz	
f <sub>OSC2</sub> , Oscillator frequency		460		kHz	Short Circuit
D <sub>MAX</sub> , Maximum Duty Cycle		90		%	V <sub>FB</sub> =0.6V
D <sub>MIN</sub> , Minimum Duty Cycle			0	%	V <sub>FB</sub> =0.9V
t <sub>ON</sub> , Minimum On Time <sup>(1)</sup>		100		ns	
T <sub>TOTSD</sub> , Thermal Shutdown <sup>(1)</sup>		160		°C	
T <sub>HYS</sub> , Thermal Shutdown Hysteresis <sup>(1)</sup>		20		°C	
t <sub>SS</sub> , Soft-start time <sup>(1)</sup>		200		µs	

Note 1: R<sub>DSON</sub>, t<sub>ON</sub>, T<sub>TOTSD</sub>, T<sub>HYS</sub> and t<sub>SS</sub> are guaranteed by design.

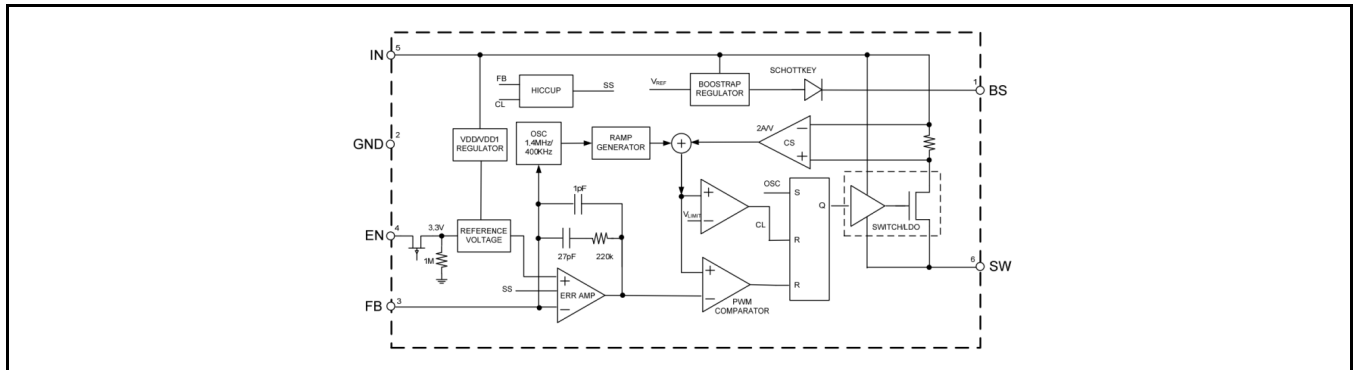
**BLOCK DIAGRAM**


Fig. 2: XRP7659 Block Diagram

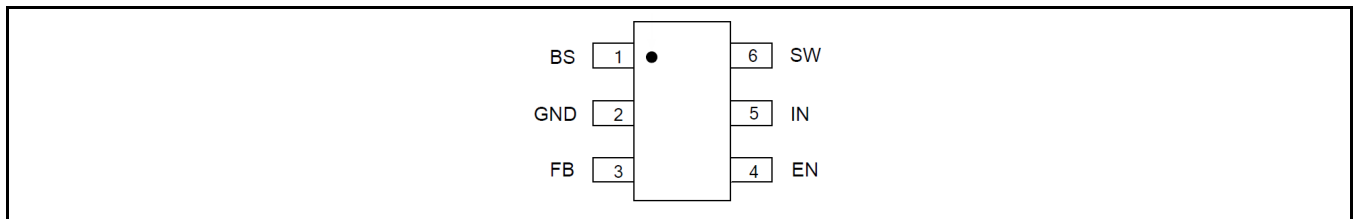
**PIN ASSIGNMENT**


Fig. 3: XRP7659 Pin Assignment

**PIN DESCRIPTION**

Name	Pin Number	Description
BS	1	Bootstrap pin. Connect a 10nF bootstrap capacitor between BS and SW pins. The voltage across the bootstrap capacitor drives the internal high-side MOSFET.
GND	2	Ground pin.
FB	3	Feedback pin. Connect to a resistor divider to program the output voltage. If $V_{FB}$ exceeds 0.972V the OVP is triggered. If $V_{FB}$ drops below 0.25V the short circuit protection is activated.
EN	4	Enable Input Pin. Forcing this pin above 1.5V enables the IC. Forcing the pin below 0.4V shuts down the IC. For automatic enable connect a 100k $\Omega$ resistor between EN and IN.
IN	5	Power Input Pin. Must be closely decoupled to GND pin with a 10 $\mu$ F/25V or greater ceramic capacitor.
SW	6	Power switch output pin. Connect to inductor and bootstrap capacitor.

**ORDERING INFORMATION<sup>(1)</sup>**

Part Number	Temperature Range	Package	Packing Method	Lead-Free <sup>(2)</sup>
XRP7659ISTR-F	-40°C $\leq$ T <sub>A</sub> $\leq$ +85°C	SOT23-6	Tape & Reel	Yes
XRP7659EVB	XRP7659 Evaluation Board			

Notes:

1. Refer to [www.maxlinear.com/XRP7659](http://www.maxlinear.com/XRP7659) for most up-to-date Ordering Information.
2. Visit [www.maxlinear.com](http://www.maxlinear.com) for additional information on Environmental Rating.

**TYPICAL PERFORMANCE CHARACTERISTICS**

All data taken at  $V_{IN} = 12V$ ,  $V_{EN}=5V$ ,  $V_{OUT}=3.3V$ ,  $T_J = T_A = 25^\circ C$ , unless otherwise specified - Schematic and BOM from Application Information section of this datasheet.

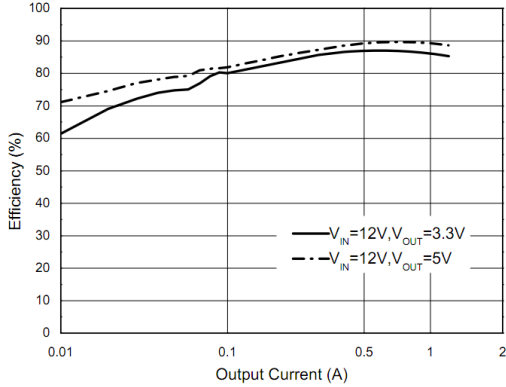


Fig. 4: Efficiency versus Output Current,  $V_{IN}=12V$

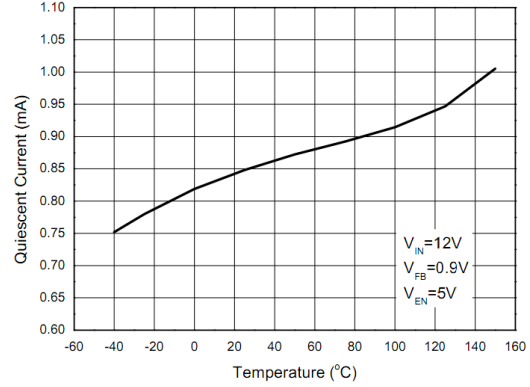


Fig. 5: Quiescent Current versus Temperature

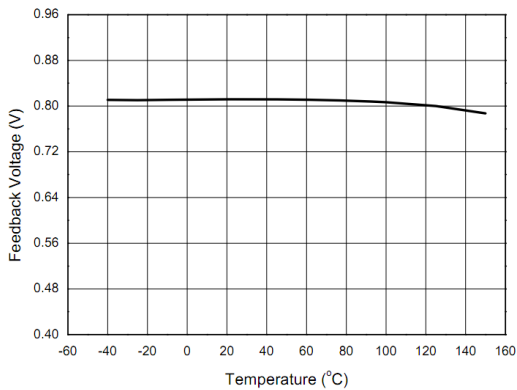


Fig. 6: Feedback Voltage versus Temperature

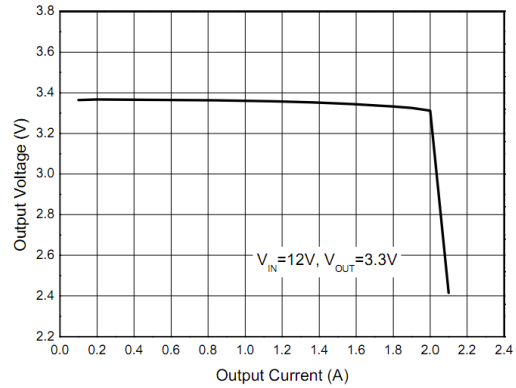


Fig. 7: Output Voltage versus Output Current

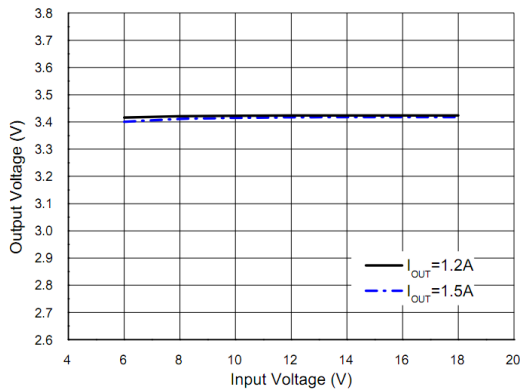


Fig. 8: Output Voltage versus Input Voltage

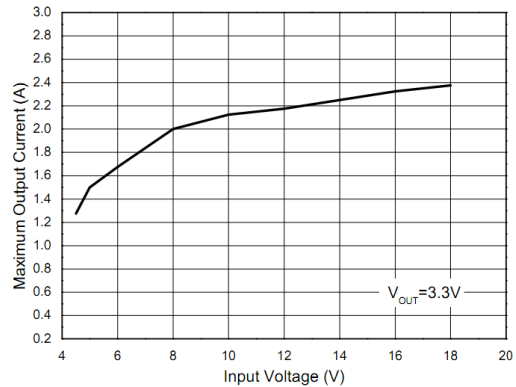


Fig. 9: Maximum Output Current versus Input Voltage

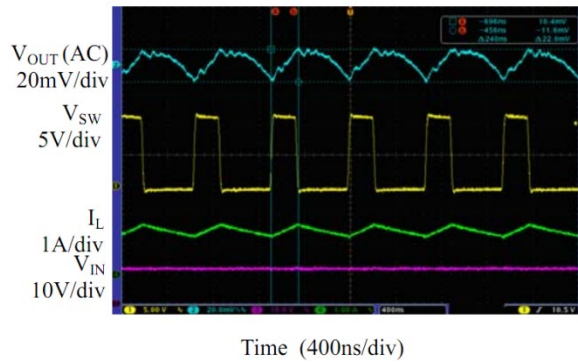


Fig. 10: Output Ripple at  $I_{OUT}=1.5A$

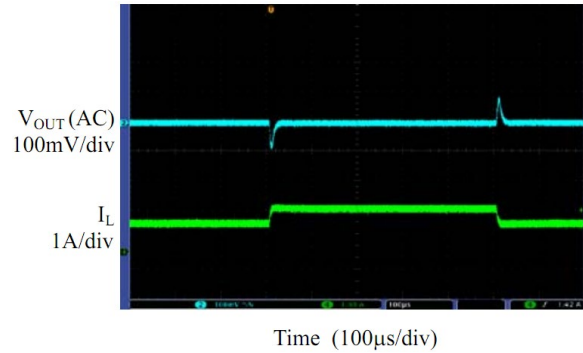


Fig. 11: Load Step Transient,  $I_{OUT}=1A$  to 1.5A

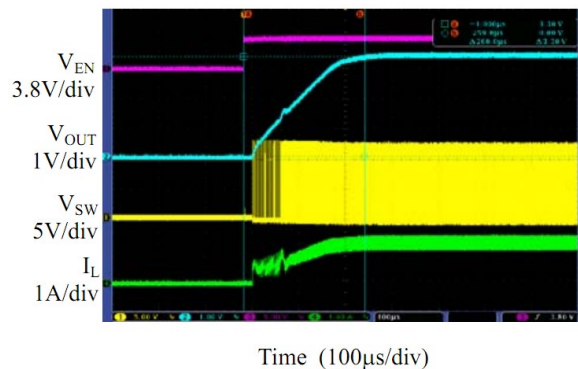


Fig. 12: Enable Turn-on Characteristic  
2.6Ω resistive Load

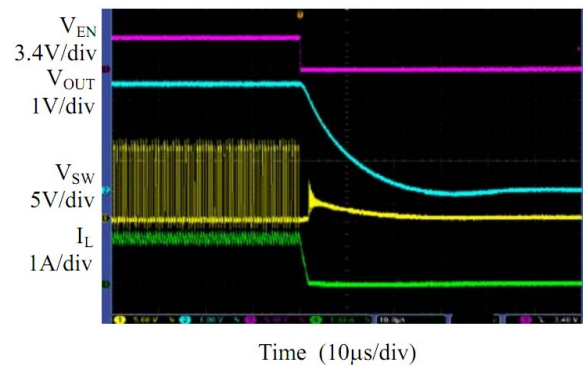


Fig. 13: Enable Turn-off Characteristic  
2.6Ω resistive Load

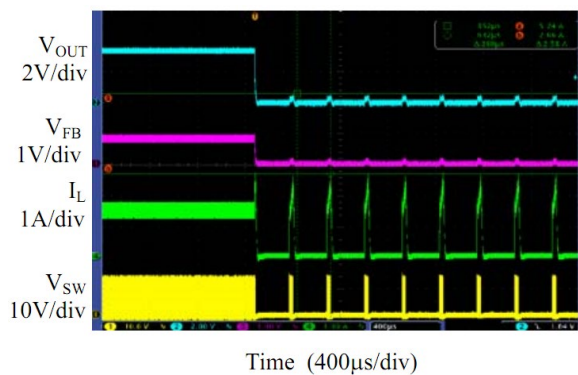


Fig. 14: Onset of Short-circuit Protection  
 $I_{OUT}=1.5A$

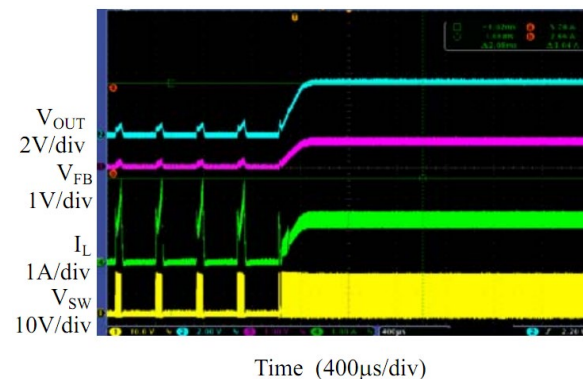


Fig. 15: Short-circuit recovery  
 $R_{LOAD}=2.6\Omega$

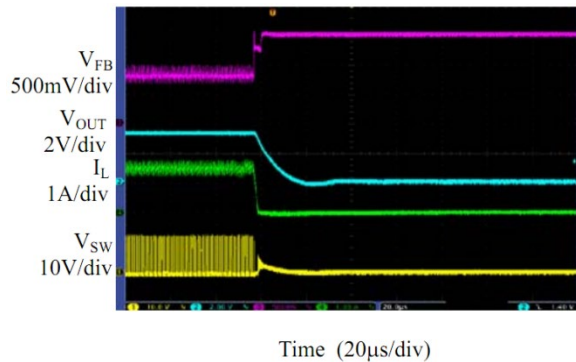


Fig. 16: Onset of Over-voltage Protection,  $I_{OUT}=1.5A$

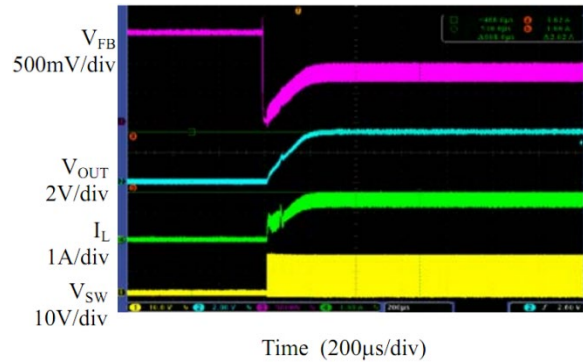


Fig. 17: Over-voltage Recovery,  $I_{OUT}=1.5A$

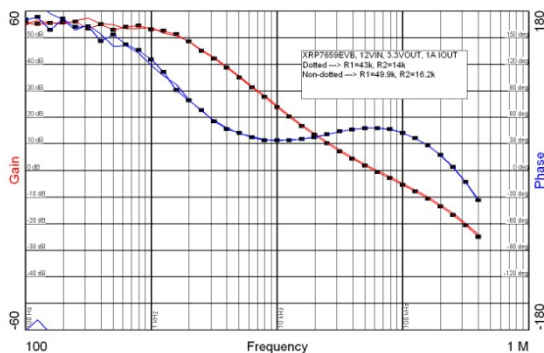


Fig. 18: Gain and Phase Margin Plots of XRP7659EVB  
~60kHz Crossover frequency; ~50° Phase Margin

**APPLICATION INFORMATION**

The XRP7659 is a non-synchronous current-mode step-down DC-DC converter capable of driving a 1.5A load. The integrated high-side MOSFET has been optimized to provide high efficiency within XRP7659 operating ratings. The high switching frequency of 1.4MHz allows the use of a small inductor and a correspondingly small output capacitor that reduce the solution size and cost. The high switching frequency also provides a very fast transient response as shown in figure 11. The built in loop compensation, bootstrap diode and soft-start further reduce component cost. A host of protection features including UVLO, OCP, OTP, OVP and short-circuit help insure

safe operation under abnormal operating conditions.

**PROGRAMMING THE OUTPUT VOLTAGE**

To program  $V_{OUT}$  use a resistor divider  $R1/R2$  as shown in figure 1.  $R1$  in conjunction with the internal compensation comprises the loop compensation. Calculate  $R2$  from:

$$R2 = \frac{R1}{\frac{V_{OUT}}{0.81V} - 1}$$

A resistor selection guide for common values of  $V_{OUT}$  is shown in table 1.

VOUT	R1(kΩ)	R2(kΩ)
1.8V	100	82
2.5V	39	18.7
3.3V	43	14
5.0V	47	9.09

Table 1: Resistor Selection

### SELECTING THE INDUCTOR

Select the inductor for inductance  $L$ , saturation current  $I_{sat}$  and DC current  $I_{DC}$ .  $I_{sat}$  and  $I_{DC}$  should be larger than 2.4A and 2.2A respectively. This will allow the inductor to withstand an accidental overload until the IC's OCP get activated. Calculate the inductance from:

$$L = \frac{V_{OUT} \times (V_{IN} - V_{OUT})}{V_{IN} \times \Delta I_L \times f_s}$$

$\Delta I_L$  is inductor current ripple, nominally set at 30% of  $I_{OUT}$ .

### SELECTING THE INPUT CAPACITOR

The input capacitor  $C_{IN}$  supplies the pulsating input current resulting from fast switching of the high-side MOSFET. Ceramic capacitors are recommended because they have low ESR/ESL and can therefore meet the high di/dt requirement. A 10 $\mu$ F capacitor is sufficient for most applications.

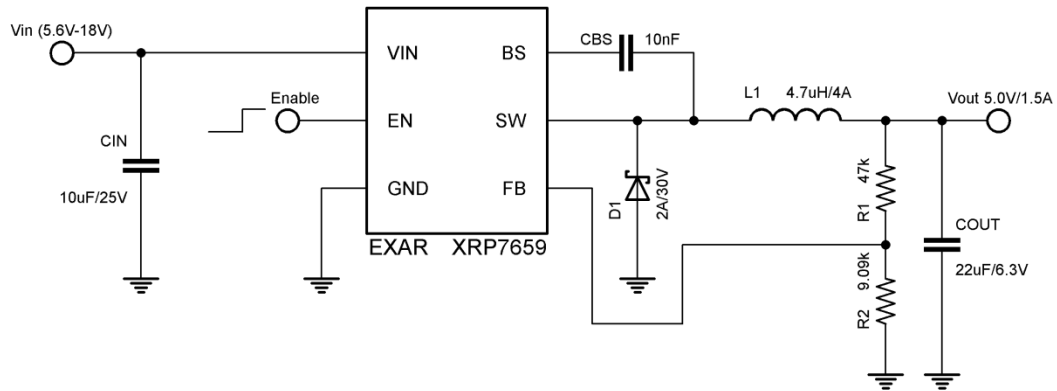
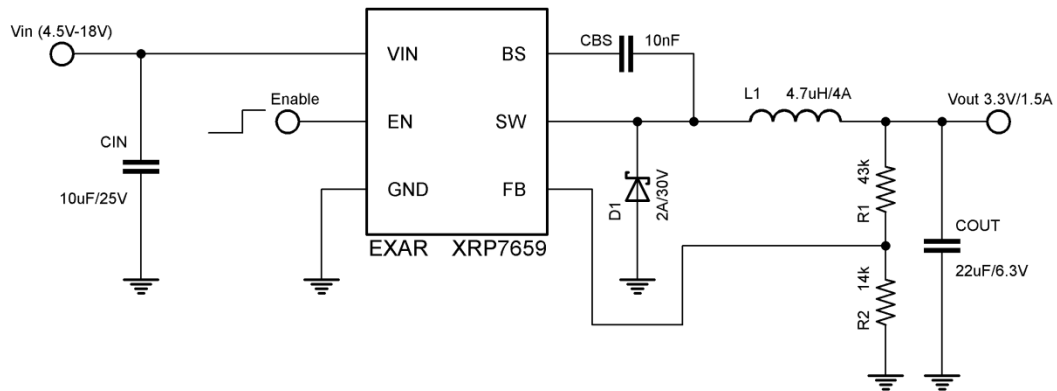
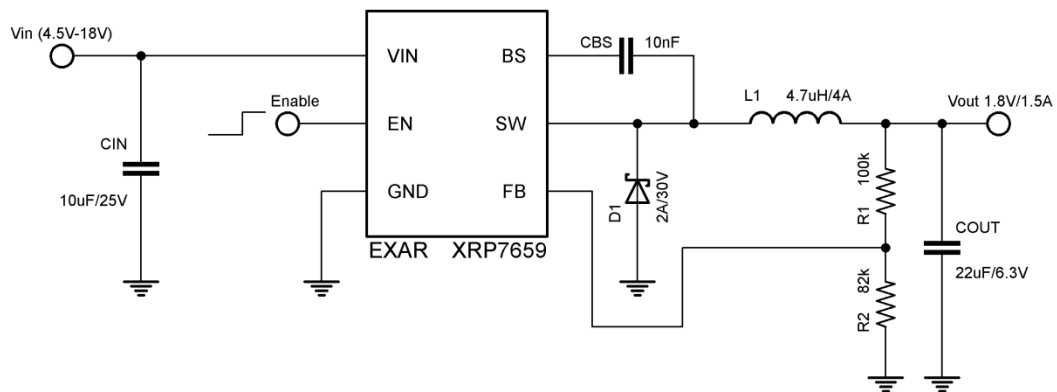
### SELECTING THE OUTPUT CAPACITOR

The output capacitor  $C_{OUT}$  filters the inductor current ripple, providing DC to the load.  $C_{OUT}$  also limits the  $V_{OUT}$  transients arising from a sudden current load step. A 22 $\mu$ F ceramic capacitor is sufficient for most applications.

### PCB LAYOUT GUIDELINES

Following guidelines will help safeguard against EMI related problems.

1. Minimize the loop area among  $C_{IN}$ , high-side MOSFET and D1. To achieve this,  $C_{IN}$  and D1 have to be placed as close to IC pins IN and SW as possible. Also the ground return of  $C_{IN}$  and D1 should be close. Use short and wide traces for connecting these components.
2. Minimize the loop area among D1, L1 and  $C_{OUT}$ . Use short and wide traces for connecting these components.
3. From the above it follows that the ground returns of  $C_{IN}$ , D1 and  $C_{OUT}$  should be as close as possible.
4. Route the sensitive FB trace away from noisy SW.

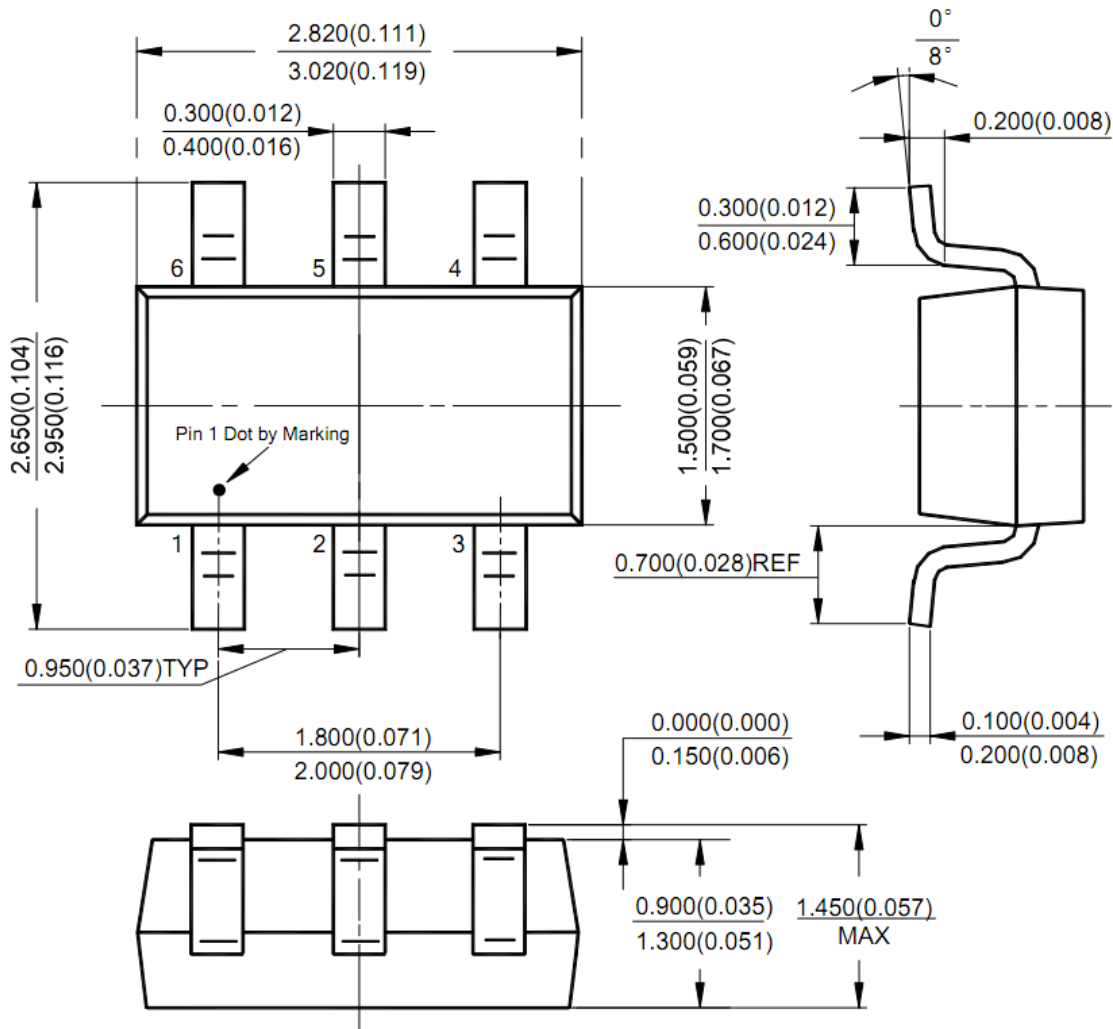
**TYPICAL APPLICATIONS**
**12V TO 5.0V/1.5A CONVERSION**

**12V TO 3.3V/1.5A CONVERSION**

**12V TO 1.8V/1.5A CONVERSION**




**PACKAGE SPECIFICATION**

**SOT23-6**

Unit: mm(inch)





**REVISION HISTORY**

Revision	Date	Description
1.0.0	07/27/2012	Initial release of datasheet
1.1.0	08/09/2012	Corrected R1/R2 resistors values for 1.8Vout Typical Application Diagram Addition of figure 18: Gain and Phase margin plots for XRP7659EVB
1.2.0	08/15/2012	Corrected ordering quantity per reel
2.2.1	11/01/2019	Updated to MaxLinear logo. Updated Ordering Information.



**CORPORATE HEADQUARTERS:**

5966 La Place Court  
Suite 100  
Carlsbad, CA 92008  
Tel.: +1 (760) 692-0711  
Fax: +1 (760) 444-8598  
[www.maxlinear.com](http://www.maxlinear.com)

The content of this document is furnished for informational use only, is subject to change without notice, and should not be construed as a commitment by Maxlinear, Inc. Maxlinear, Inc. Assumes no responsibility or liability for any errors or inaccuracies that may appear in the informational content contained in this guide. Complying with all applicable copyright laws is the responsibility of the user. Without limiting the rights under copyright, no part of this document may be reproduced into, stored in, or introduced into a retrieval system, or transmitted in any form or by any means (electronic, mechanical, photocopying, recording, or otherwise), or for any purpose, without the express written permission of Maxlinear, Inc.

Maxlinear, Inc. Does not recommend the use of any of its products in life support applications where the failure or malfunction of the product can reasonably be expected to cause failure of the life support system or to significantly affect its safety or effectiveness. Products are not authorized for use in such applications unless Maxlinear, Inc. Receives, in writing, assurances to its satisfaction that: (a) the risk of injury or damage has been minimized; (b) the user assumes all such risks; (c) potential liability of Maxlinear, Inc. Is adequately protected under the circumstances.

Maxlinear, Inc. May have patents, patent applications, trademarks, copyrights, or other intellectual property rights covering subject matter in this document. Except as expressly provided in any written license agreement from Maxlinear, Inc., the furnishing of this document does not give you any license to these patents, trademarks, copyrights, or other intellectual property.

Maxlinear, the Maxlinear logo, and any Maxlinear trademarks, MxL, Full-Spectrum Capture, FSC, G.now, AirPHY and the Maxlinear logo are all on the products sold, are all trademarks of Maxlinear, Inc. or one of Maxlinear's subsidiaries in the U.S.A. and other countries. All rights reserved. Other company trademarks and product names appearing herein are the property of their respective owners.

© 2012 - 2019 Maxlinear, Inc. All rights reserved.