



Features

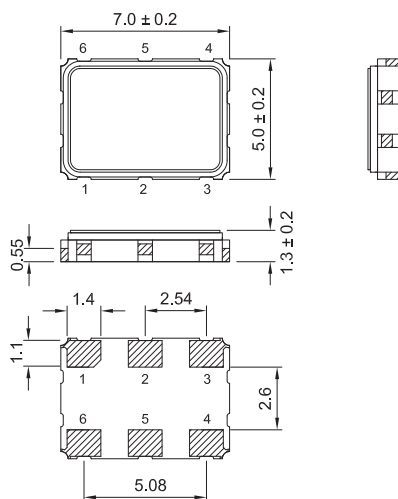
- > 3rd overtone solution.
- > 3.3V and 2.5V operation available.
- > LVDS output, output frequencies 50 MHz to 160 MHz.
- > Excellent low phase noise and jitter.
- > Tri-State function available.
- > Applications : Fibre Channel, Gigabit Ethernet, Serial ATA, Serial Attached SCSI, PCI-Express, SDH / SONET.
- > RoHS Compliant / Pb Free.

Electrical Specifications

Item / Type	BF
Output Type	LVDS
Output Load	100 Ω
Oscillation Mode	3rd Overtone
Supply Voltage	2.5 V , 3.3 V
Frequency Range	50 ~ 160 MHz
Overall Frequency Stability *	± 50 ppm (- 40 ~ + 85 °C)
Operating Temperature Range	- 40 ~ + 85 °C
Storage Temperature Range	- 55 ~ + 125 °C
Voltage Vol (Min.) / Voh (Max.)	0.9 V / 1.6 V
Rise (Tr) / Fall (Tf) Time (20 % ~ 80 %)	1 ns Max.
Supply Current	80 mA Max.
Symmetry	45 ~ 55 %
Start-up Time	10 ms Max.
Phase Jitter (12 KHz ~ 20 MHz)	1 ps Max.

* Inclusive of initial tolerance, operating temperature, supply voltage variation and aging.

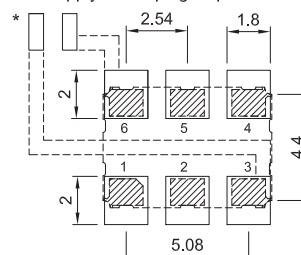
Dimensions



PAD FUNCTION:
 1:ENABLE CONTROL
 2:NC
 3:GND
 4:OUT
 5:~OUT
 6:VDD

Suggested Layout

*:Power Supply Decoupling Capacitor is Required.



Units:mm

Remark : Specification subject to change without prior notice. Please confirm with our sales.