

**Customer Part:**

**Description**

- 2 x 6mm watch crystal with pre-formed legs to make a SMD package.
- Model CFPX-56
- Model Issue number 6

**Frequency Parameters**

- Frequency 32.7680kHz
- Frequency Tolerance  $\pm 20.00\text{ppm}$
- Tolerance Condition @ 25°C
- Overtone Order Fundamental
- Ageing  $\pm 5\text{ppm}$  max in 1st year

**Electrical Parameters**

- Load Capacitance (CL) 12.50pF
- Shunt Capacitance (C0) 1.6pF typical
- Drive Level 1.0 $\mu$ W max
- ESR 40.00k $\Omega$  max
- Motional Capacitance (C1): 3.2fF typ
- Frequency Stability Coefficient:  $-0.034\text{ppm}/^\circ\text{C}^2 \pm 0.006\text{ppm}/^\circ\text{C}^2$

**Environmental Parameters**

- Storage Temperature Range: -40 to 85°C
- High Temperature Storage: 85°C for 24hrs.
- Drop: 75cm drop (3 times) onto hard wooden board.

**Manufacturing Details**

- Suitable for reflow soldering at 245°C max for 10sec max x 1 cycle.
- Note: Do not solder the body of the device to any PCB pads. Use other bonding methods such as adhesive, sealant, sticky-pads.
- RoHS Terminations SnAgCu
- RoHS Reflow Temp 245°C for 10secs max

**Compliance**

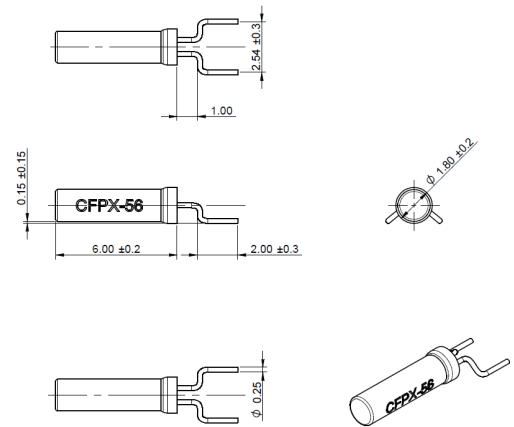
- RoHS Status (2015/863/EU) Compliant
- REACH Status Compliant
- MSL Rating (JDEC-STD-033): Not Applicable

**Packaging Details**

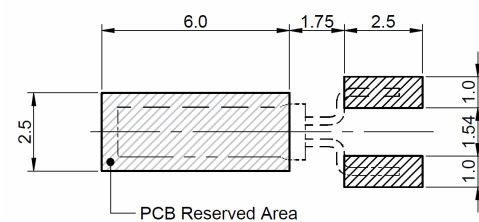
- Pack Style: Reel Tape & reel in accordance with EIA-481-D  
Pack Size: 3,000
- *Alternative packing option available*



**Outline (mm)**



**Recommended Solder Pad Layout**



NOTE: Do not solder the body of this device to any PCB pads. Use other bonding methods such as adhesive sealant, sticky pads.

**Sales Office Contact Details:**

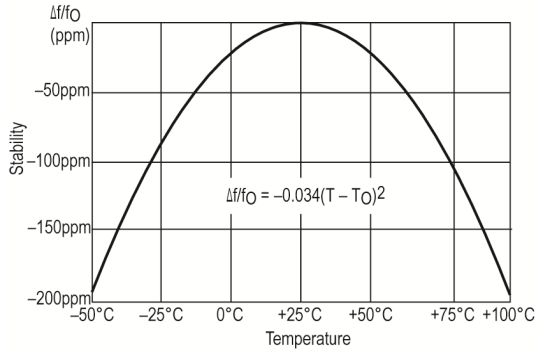
UK: +44 (0)1460 270200  
Germany: 0800 1808 443

France: 0800 901 383  
USA: +1.760.318.2824

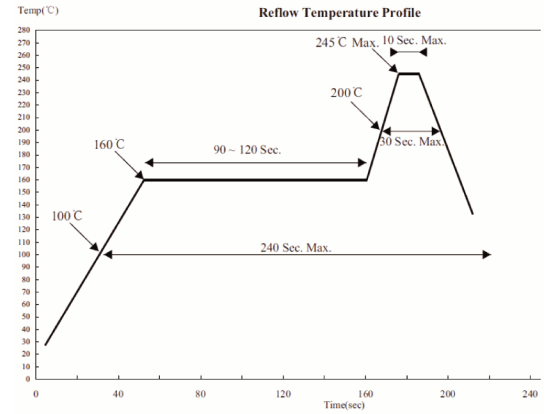
Email: [info@iqdfrequencyproducts.com](mailto:info@iqdfrequencyproducts.com)  
Web: [www.iqdfrequencyproducts.com](http://www.iqdfrequencyproducts.com)

**Customer Part:**

**Typical Frequency Stability Characteristics**



**Reflow Temperature Profile**



**Sales Office Contact Details:**

UK: +44 (0)1460 270200  
 Germany: 0800 1808 443

France: 0800 901 383  
 USA: +1.760.318.2824

Email: [info@iqdfrequencyproducts.com](mailto:info@iqdfrequencyproducts.com)  
 Web: [www.iqdfrequencyproducts.com](http://www.iqdfrequencyproducts.com)