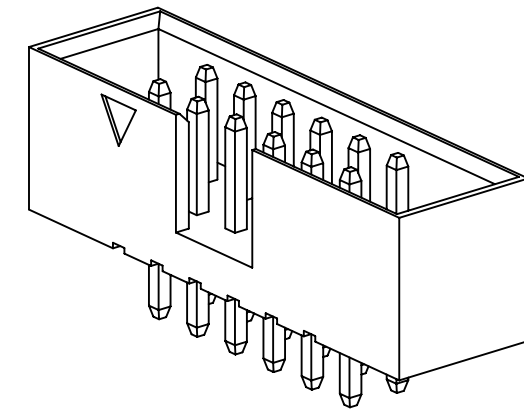
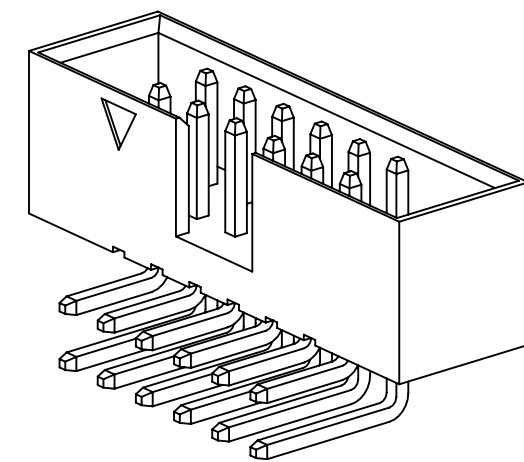


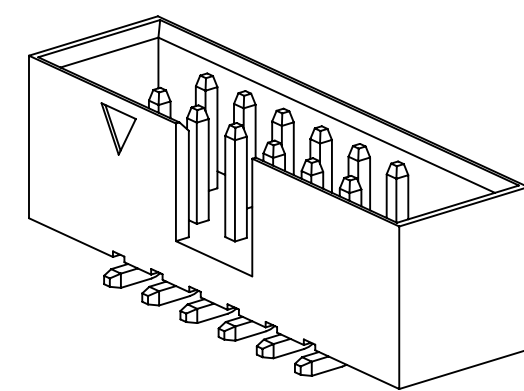
3M™ BOX HEADER, 957 SERIES
2MM X 2MM, STRAIGHT, RIGHT ANGLE AND SURFACE MOUNT, SOLDER TAIL



DUAL ROW
STRAIGHT
VERSION



DUAL ROW
RIGHT ANGLE
VERSION



DUAL ROW
SURFACE MOUNT
VERSION

2 PHYSICAL :

INSULATOR :
MATERIAL : HIGH TEMP THERMOPLASTIC
FLAMMABILITY : UL94V-0
COLOR : BLACK
CONTACT :
MATERIAL : COPPER ALLOY
PLATING :
UNDER PLATING : 50-100μ" [1.27-2.54μm] NICKEL-OVERALL
WIPING AREA : GOLD FLASH
SOLDER TAILS : 40-118μ" [1-3μm] MATTE TIN

2 ELECTRICAL :

CURRENT RATING : 2A
CONTACT RESISTANCE : ≤20 mΩ
INSULATION RESISTANCE : ≥1000 MΩ
WITHSTANDING VOLTAGE : 500 Vr.m.s, 1mA, 60s

2 MECHANICAL :

RETENTION FORCE : ≥ 4.5N PER PIN

2 ENVIRONMENTAL :

TEMPERATURE RATING : -40° C TO 125° C ¹
HUMIDITY : <93% AT 40° C
RESISTANCE TO SOLDERING HEAT : 260° C±5° C, 10s

- NOTES
- REGULATORY INFORMATION:
ROHS COMPLIANT. SEE THE REGULATORY INFORMATION APPENDIX (RIA) IN THE "ROHS COMPLIANCE" SECTION OF WWW.3MCONNECTORS.COM FOR COMPLIANCE INFORMATION.
 - IN THE EVENT OF CONFLICT BETWEEN THIS DATA AND THAT CONTAINED IN THE PRODUCT SPECIFICATION, THE PRODUCT SPECIFICATION TAKES PRECEDENT.
 - N = THE NUMBER OF POSITIONS.

3M™ ELECTRONICS MATERIALS SOLUTIONS DIVISION
INTERCONNECT SOLUTIONS
<http://www.3m.com/interconnect>

3M IS A TRADEMARK OF 3M COMPANY.
FOR TECHNICAL, SALES OR ORDERING
INFORMATION CALL 800-225-5373

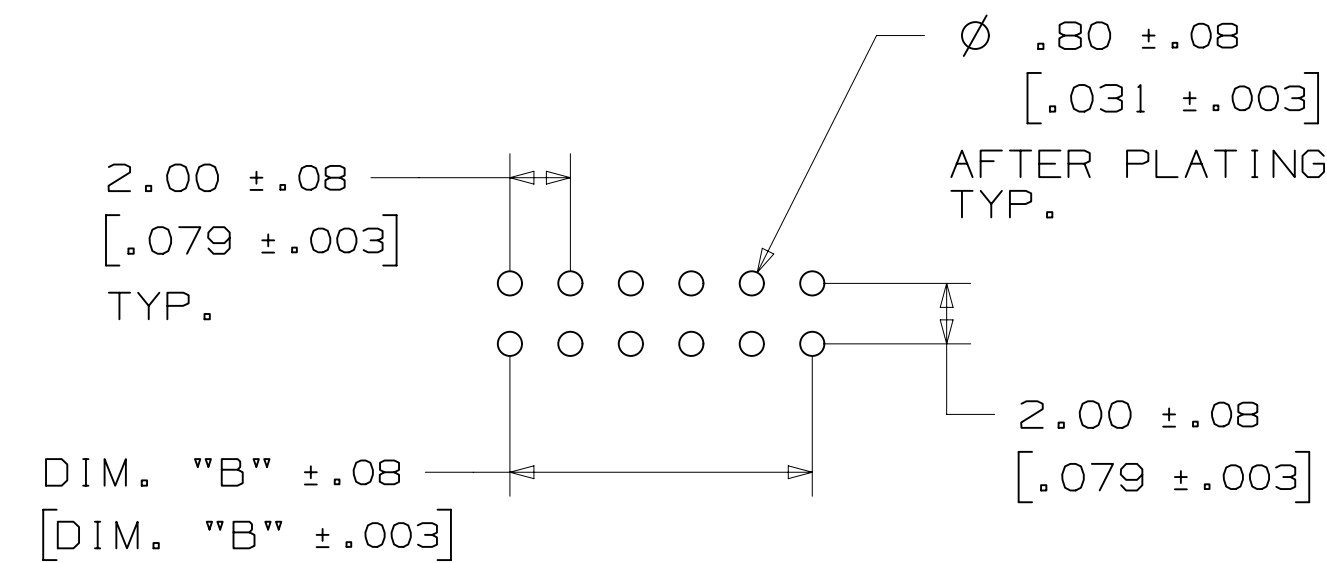
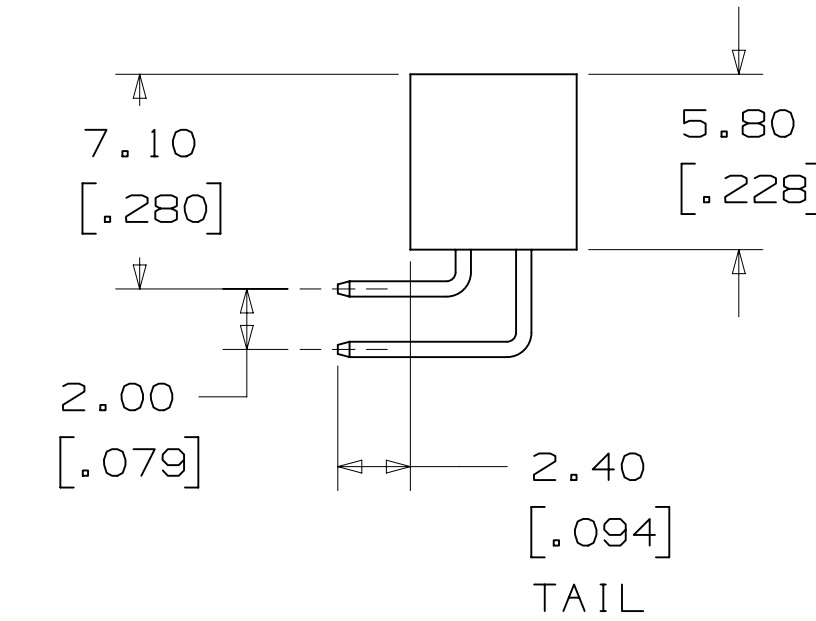
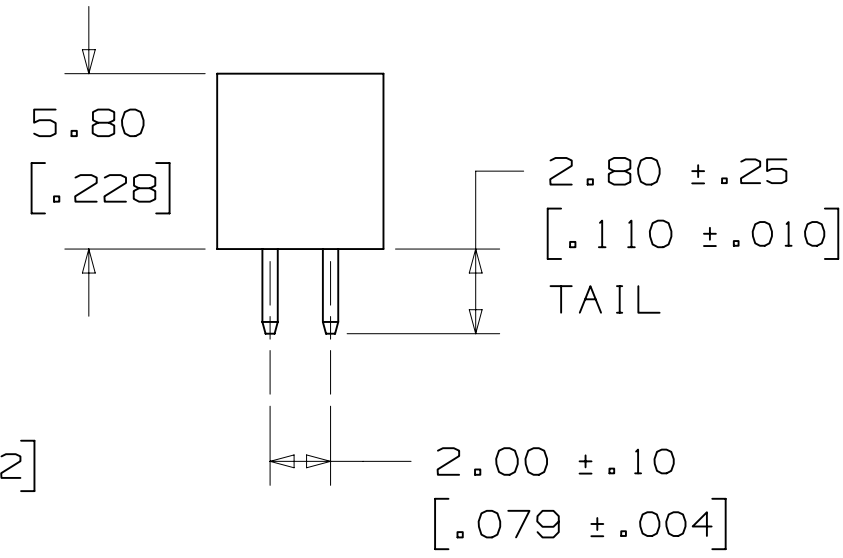
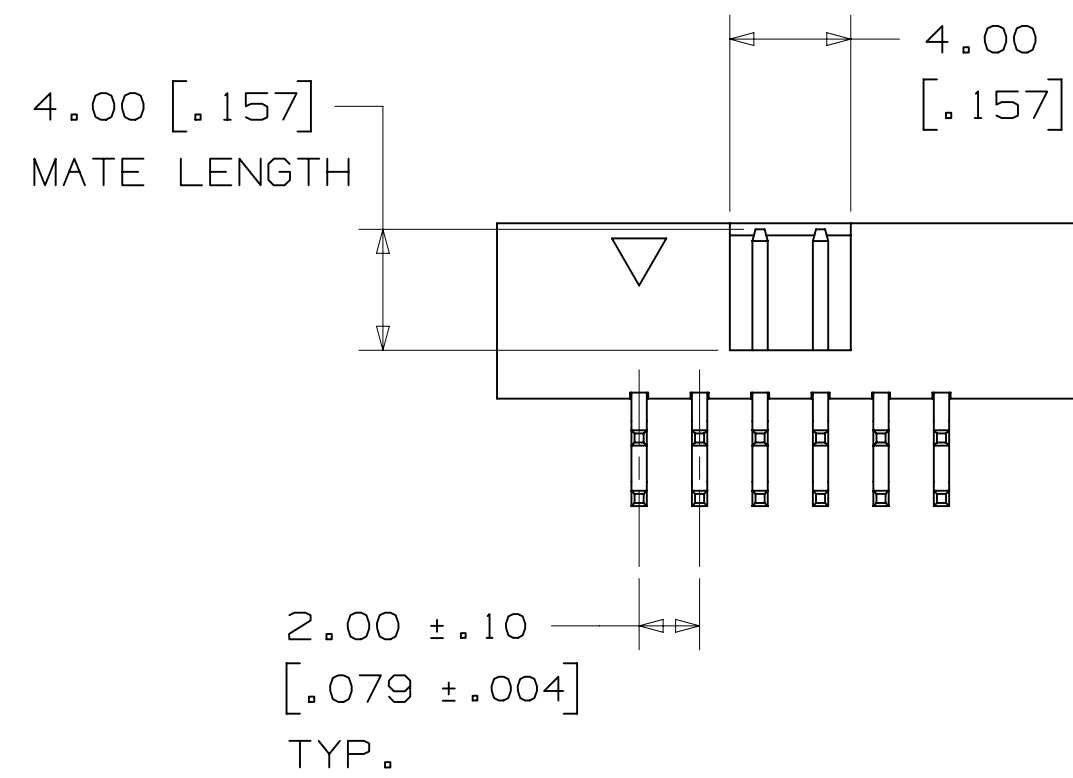
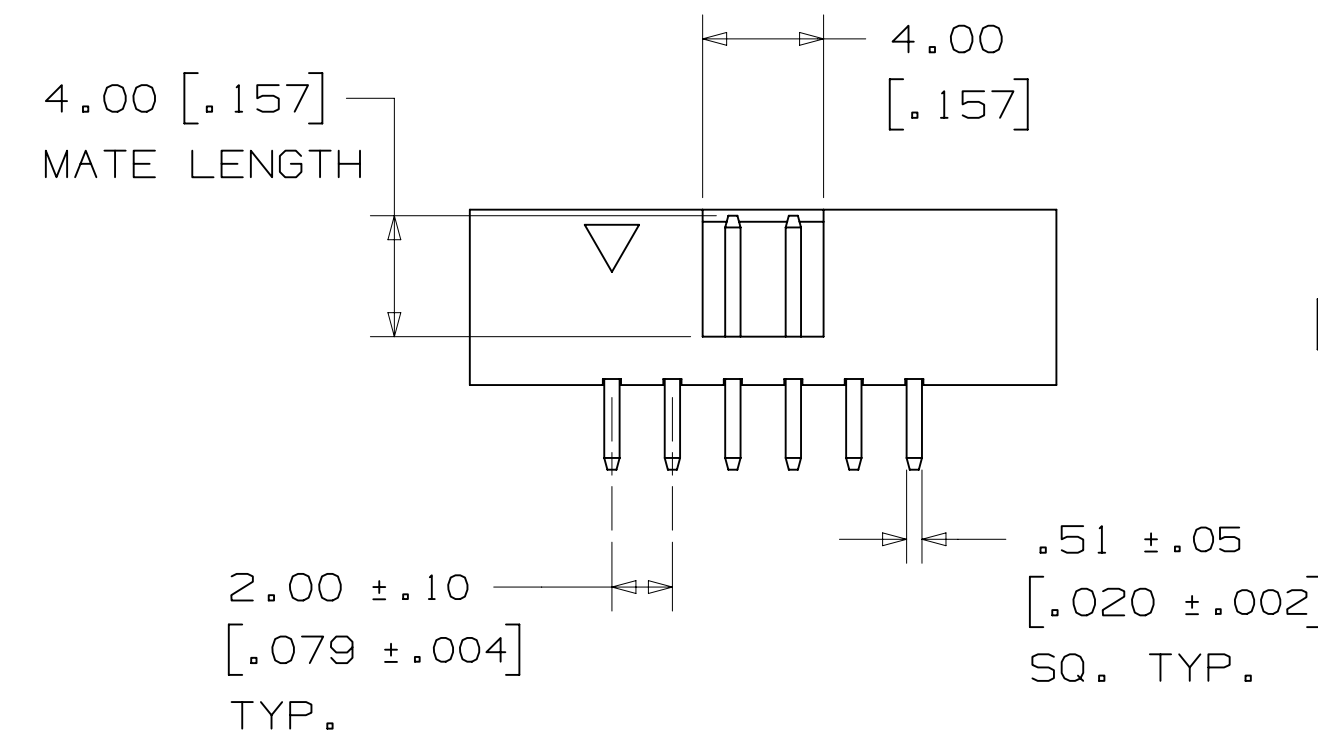
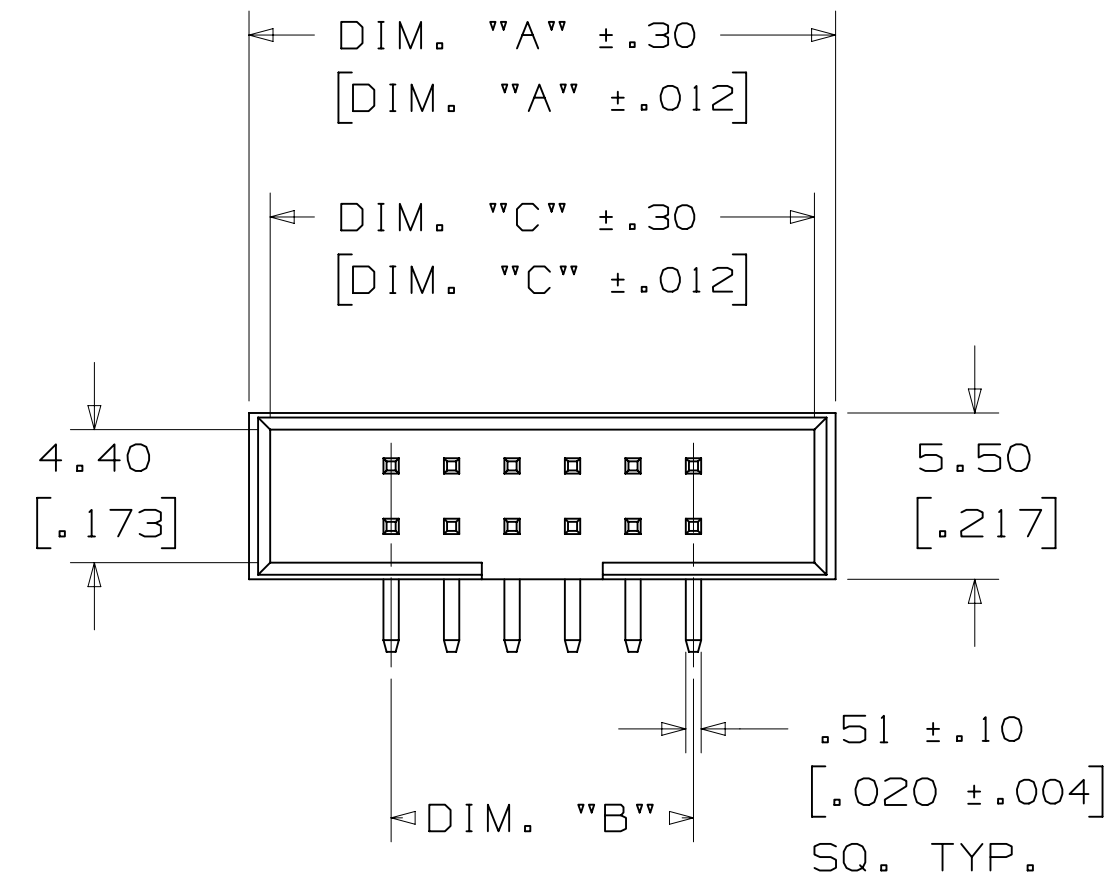
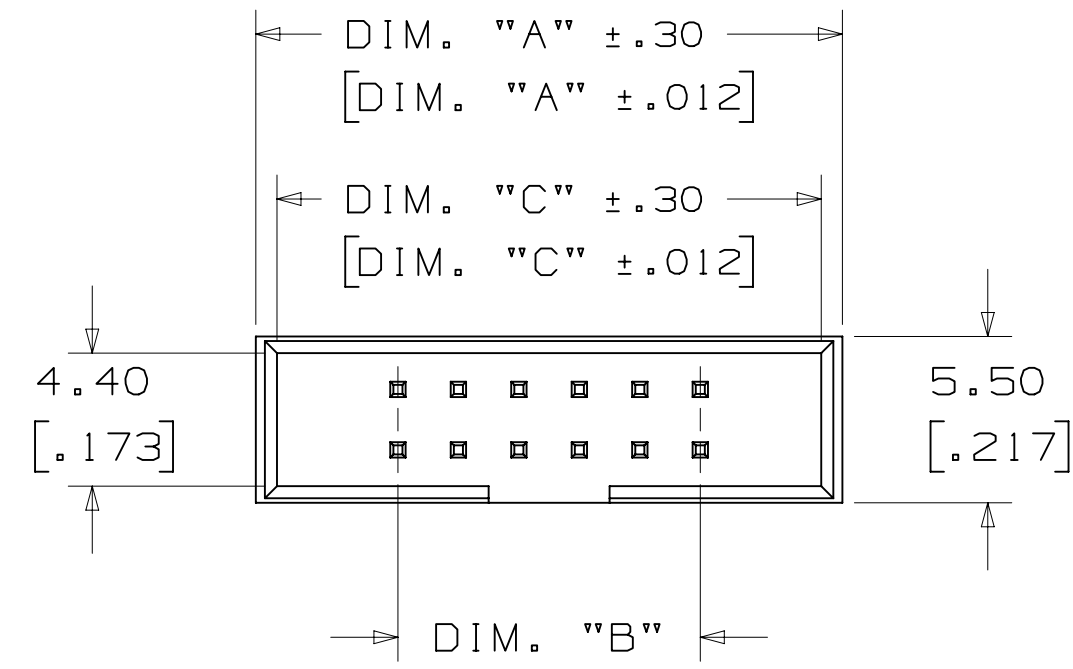
DIMENSIONS: INCH [MM]
[MM] FOR REF. ONLY

MM [INCH]		
TOLERANCE - UNLESS NOTED		
	X.	.XX
MM	±.5	±.20
[INCH]	±.02	±.008
[] = DIM. FOR REFERENCE ONLY		

DESIGN REFERENCE	NEXT ASSEMBLY	REV	ECO	ISSUE DATE AND DESCRIPTION	DRFT	CHKD
90462				APR 27, 2020 REVISED WARRANTY STATEMENT REVISED TABLE 1 ON SHEETS 2 AND 3	LDS	FJR
78557				APR 05, 2018 UPDATE TABLE 1 TO REMOVE [IN] VALUES	SBO	FR
74628				JUL 06, 2017 WAS: -40C TO 105C	LDS	SC
72044				FEB 02, 2017 PRODUCTION RELEASE	JNC	TS
DRW	CASTIGLIONE	DATE	MAY 14, 2015	MFG	DATE	
CHKD		DATE		APPRV	DATE	
				T. SUNIGA	MAY 14, 2015	
DIVISION		DIVISION CODE		EMSD		
DO NOT SCALE DRAWING	SCALE	TOLERANCES EXCEPT AS NOTED		INCHES		
	4 1			.00 ±		
				.000 ±		
				.0000 ±		
THIRD ANGLE PROJECTION				MILLIMETERS		
				0 ±		
				.00 ±		
				.000 ±		
MAX SURFACE ROUGHNESS				ANGLES		
DTX SURFACES						
MARKED ONLY						
3M		© 3M COPYRIGHT 2020		This document and the information it contains are 3M property and may not be reproduced or further distributed without 3M permission, or used or disclosed other than for 3M authorized purposes. All rights reserved.		
TITILE		BOX HEADER, 2MM, STRAIGHT, RIGHT ANGLE AND SMT				
CAGE NUMBER	SIZE	DRAWING NO.	REV.			
D		78-5100-2656-6	D			
MODEL	9572	DET	YES	NO	SHT	1 OF 4

78-5100-2656-6 DRAWING NUMBER
1 REVISION
UTC
4/27/2020
Drr-set (hrs) 6
Imaged: Central Standard Time

3M™ BOX HEADER, 957 SERIES
 2MM X 2MM, STRAIGHT, RIGHT ANGLE AND SURFACE MOUNT, SOLDER TAIL



RECOMMENDED PC BOARD LAYOUT
 (VIEWED FROM CONNECTOR SIDE)

ORDERING INFORMATION
 (STRAIGHT & RIGHT ANGLE ONLY)

9572XX-X002-AR

CONTACT QTY: 06-64 MOUNTING STYLE:
 5 = RIGHT ANGLE
 6 = STRAIGHT

3M™ ELECTRONICS MATERIALS SOLUTIONS DIVISION
 INTERCONNECT SOLUTIONS
<http://www.3m.com/interconnect>

3M IS A TRADEMARK OF 3M COMPANY.
 FOR TECHNICAL, SALES OR ORDERING
 INFORMATION CALL 800-225-5373

TABLE 1 mm	
DIM. "A"	$((N/2) - 1) \times 2.00 + 9.40$
DIM. "B"	$((N/2) - 1) \times 2.00$
DIM. "C"	$((N/2) - 1) \times 2.00 + 8.00$
SEE NOTE 3	

REV	ECO	ISSUE DATE AND DESCRIPTION	DRFT	CHKD
D	90462	APR 27, 2020 REVISED WARRANTY STATEMENT REVISED TABLE 1 ON SHEETS 2 AND 3	LDS	FJR
C	78557	APR 05, 2018 UPDATE TABLE 1 TO REMOVE [IN] VALUES	SBO	FR
B	74628	JUL 06, 2017 WAS: -40C TO 105C	LDS	SC
A	72044	FEB 02, 2017 PRODUCTION RELEASE	JNC	TS

DESIGN REFERENCE	NEXT ASSEMBLY

DO NOT SCALE DRAWING	SCALE	TOLERANCES EXCEPT AS NOTED
<input checked="" type="checkbox"/>	4 1	INCHES .00 .000 ± 0.000 ±
<input checked="" type="checkbox"/>		MILLIMETERS 0 .00 ± 0.00 ±
<input checked="" type="checkbox"/>		ANGLES 0 0.00 ± 0.00 ±

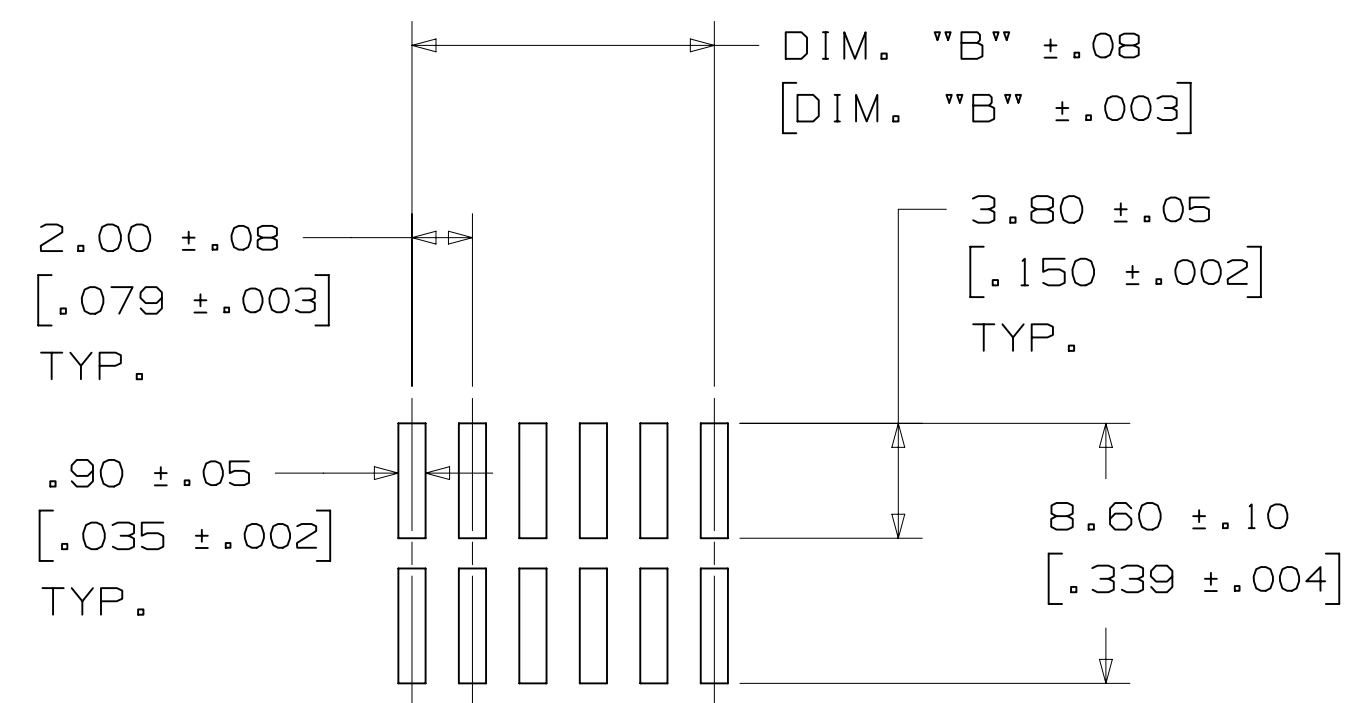
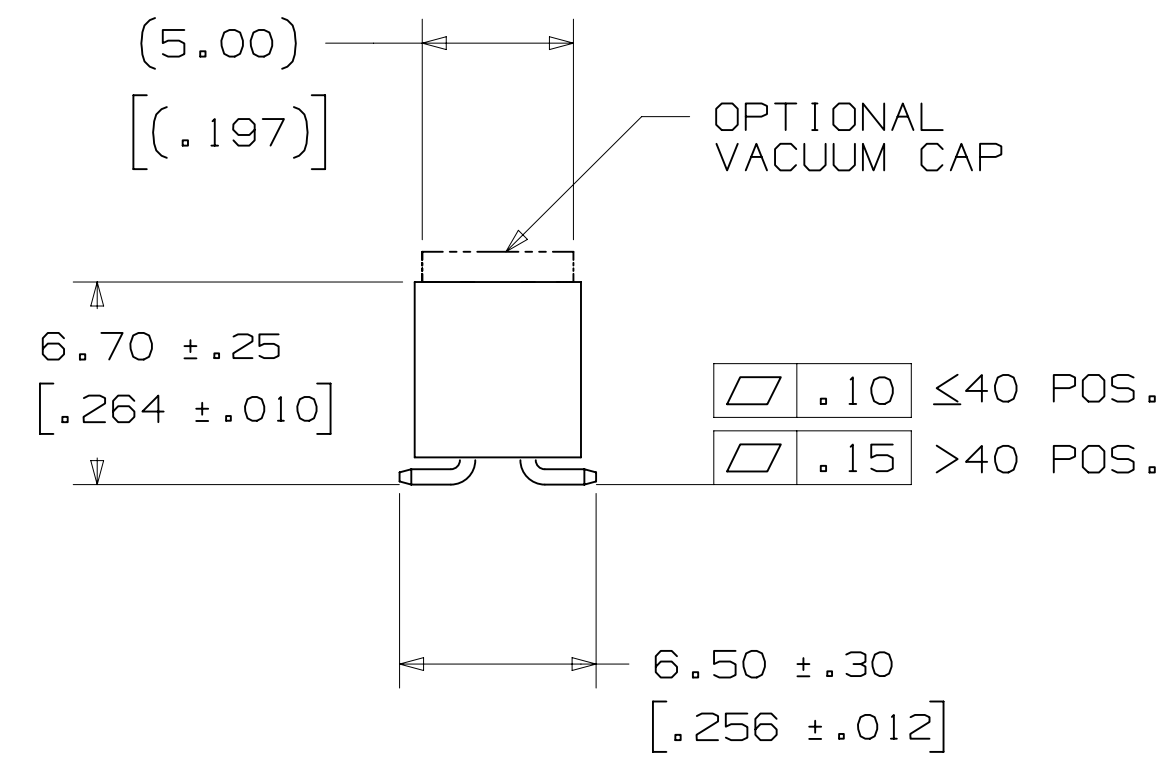
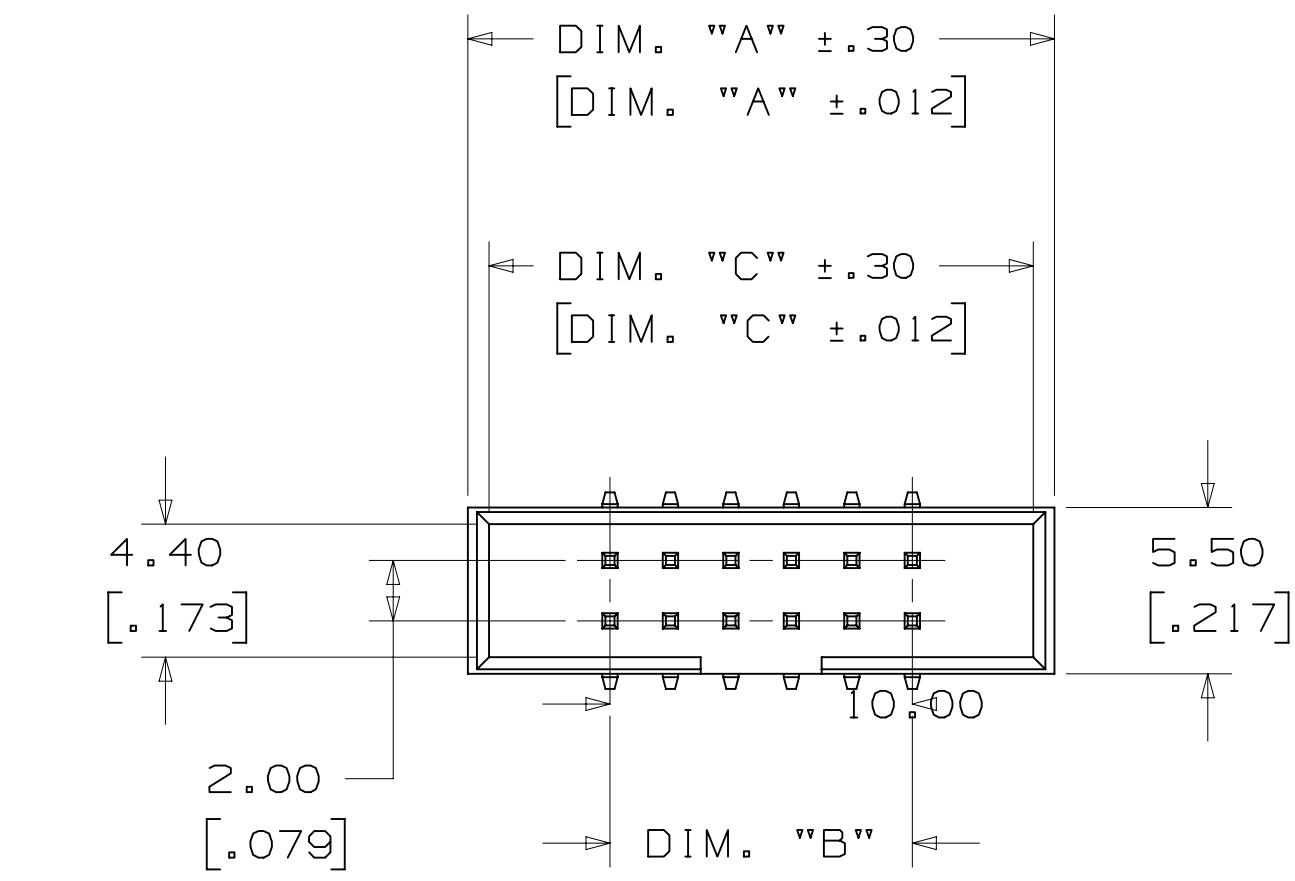
THIRD ANGLE PROJECTION	INTERPRET PER ASME Y14.5 - 2009
<input checked="" type="checkbox"/>	<input checked="" type="checkbox"/>

CAGE NUMBER	SIZE	DRAWING NO.	REV.
D	D	78-5100-2656-6	D

MODEL	DET.	YES	NO	SHT	OF	TOTAL
9572	<input type="checkbox"/>	<input type="checkbox"/>	<input type="checkbox"/>	2	OF	4

78-5100-2656-6
 DRAWING NUMBER
 4/27/2020
 DATE
 UTC
 6 hrs
 6
 Off-set
 6
 Revision

3M™ BOX HEADER, 957 SERIES
 2MM X 2MM, STRAIGHT, RIGHT ANGLE AND SURFACE MOUNT, SOLDER TAIL



RECOMMENDED PC BOARD LAYOUT
 (VIEWED FROM CONNECTOR SIDE)

ORDERING INFORMATION
 (SURFACE MOUNT ONLY)

9572XX-20X0-AR-XX

CONTACT QTY:
 06-64

PACKAGING:
 TP = TUBE WITHOUT PAD
 PT = TUBE WITH PAD
 PR = TAPE & REEL WITH PAD
 SEE TABLE 2

LOCATING POST:
 0 = NONE

TABLE 2 TAPE & REEL OPTIONS					
CONTACT QTY.	10-12	14-24	26-34	40-50	60-68
TAPE WIDTH (MM)	32	44	56	72	88

OPTIONAL VACUUM CAP

$\square .10 \leq 40$ POS.
 $\square .15 > 40$ POS.

TABLE 1 mm	
DIM. "A"	$((N/2) - 1) \times 2.00 + 9.40$
DIM. "B"	$((N/2) - 1) \times 2.00$
DIM. "C"	$((N/2) - 1) \times 2.00 + 8.00$

SEE NOTE 3

DESIGN REFERENCE	NEXT ASSEMBLY	REV	ECO	ISSUE DATE AND DESCRIPTION	DRFT	CHKD

3M Center St. Paul, MN 55144	© 3M COPYRIGHT 2020 This document and the information it contains are 3M property and may not be reproduced or further distributed without 3M permission, or used or disclosed other than for 3M authorized purposes. All rights reserved.
TITLE	BOX HEADER, 2MM, STRAIGHT, RIGHT ANGLE AND SMT
CAGE NUMBER	D 78-5100-2656-6
MODEL	9572
REV.	D
DET.	IS1S <input type="checkbox"/> YES <input checked="" type="checkbox"/> NO
SHT	3 OF 4

3M™ ELECTRONICS MATERIALS SOLUTIONS DIVISION
 INTERCONNECT SOLUTIONS
<http://www.3m.com/interconnect>
 3M IS A TRADEMARK OF 3M COMPANY.
 FOR TECHNICAL, SALES OR ORDERING
 INFORMATION CALL 800-225-5373

78-5100-2656-6
 DRAWING NUMBER
 REV. 1
 DATE 4/27/2020
 TIME 4:27:20
 -- UTC
 Drf-set (hrs) 6
 Imaged: Central Standard

Regulatory: For regulatory information about this product, visit 3M.com/regs or contact your 3M representative.

Technical Information: The technical information, recommendations and other statements contained in this document are based upon tests or experience that 3M believes are reliable, but the accuracy or completeness of such information is not guaranteed.

Product Use: Many factors beyond 3M's control and uniquely within user's control can affect the use and performance of a 3M product in a particular application. Given the variety of factors that can affect the use and performance of a 3M product, user is solely responsible for evaluating the 3M product and determining whether it is fit for a particular purpose and suitable for user's method of application.

Warranty, Limited Remedy, and Disclaimer: Unless an additional warranty is specifically stated on the applicable 3M product packaging or product literature, 3M warrants that each 3M product meets the applicable 3M product specification at the time 3M ships the product. 3M MAKES NO OTHER WARRANTIES OR CONDITIONS, EXPRESS OR IMPLIED, INCLUDING, BUT NOT LIMITED TO, ANY IMPLIED WARRANTY OR CONDITION OF MERCHANTABILITY OR FITNESS FOR A PARTICULAR PURPOSE OR ANY IMPLIED WARRANTY OR CONDITION ARISING OUT OF A COURSE OF DEALING, CUSTOM OR USAGE OR TRADE. If the 3M product does not conform to this warranty, then the sole and exclusive remedy is, at 3M's option, replacement of the 3M product or refund of the purchase price.

Limitation of Liability: Except where prohibited by law, 3M will not be liable for any loss or damage arising from the 3M product, whether direct, indirect, special, incidental or consequential, regardless of the legal theory asserted, including warranty, contract, negligence or strict liability.

3M Company
Electronics Materials Solutions Division
13011 McCallen Pass, Bldg. C
Austin, TX 78753-5380
1-800-225-5373
www.3M.com/interconnect

3M™ ELECTRONICS MATERIALS SOLUTIONS DIVISION
INTERCONNECT SOLUTIONS
<http://www.3m.com/interconnect>

3M IS A TRADEMARK OF 3M COMPANY.
FOR TECHNICAL, SALES OR ORDERING
INFORMATION CALL 800-225-5373

REV	ECO	ISSUE DATE AND DESCRIPTION	DRFT	CHKD
D	90462	APR 27, 2020 REVISED WARRANTY STATEMENT REVISED TABLE 1 ON SHEETS 2 AND 3	LDS	FJR
C	78557	APR 05, 2018 UPDATE TABLE 1 TO REMOVE [IN] VALUES	SBO	FR
B	74628	JUL 06, 2017 ⚠ WAS: -40C TO 105C	LDS	SC
A	72044	FEB 02, 2017 PRODUCTION RELEASE	JNC	TS

DESIGN REFERENCE	NEXT ASSEMBLY	REV	ECO	ISSUE DATE AND DESCRIPTION	DRFT	CHKD

DRW	DATE	APPV	DATE
CASTIGLIONE	MAY 14, 2015	T. SUNIGA	MAY 14, 2015

DIVISION	DIVISION CODE	EMSD

DO NOT SCALE DRAWING	SCALE	TOLERANCES EXCEPT AS NOTED
	1/1	

THIRD ANGLE PROJECTION	TOLERANCES EXCEPT AS NOTED

MAX SURFACE ROUGHNESS	INTERPRET PER ASME Y14.5 - 2009	MILLIMETERS

CAGE NUMBER	SIZE	DRAWING NO.	REV.
D		78-5100-2656-6	D

© 3M COPYRIGHT 2020
This document and the information it contains are 3M property and may not be reproduced or further distributed without 3M permission, or used or disclosed other than for 3M authorized purposes. All rights reserved.

3M Center
St. Paul, MN 55144

MODEL	DET	YES	NO	SHT	OF	4
9572				4		

178-5100-2656-6
DRAWING NUMBER
D
REVISED
Time 4/27/2020 -- UTC Drf-set (hrs) 6
Imaged: Central Standard