

Use for Japan production only.

1. 製品名称／PRODUCT NAME : PICOBLADE 1.25 SMT R/A EMBOSSED TAPE PACKAGING  
 製品番号／PART NUMBER : 5 3 2 6 1 \*\* 2 7、5 3 2 6 1 \*\* 5 0、5 3 2 6 1 \*\* 5 2  
 5 3 2 6 1 \*\* 5 3、5 3 2 6 1 \*\* 5 4、5 3 2 6 1 \*\* 5 6  
 5 3 2 6 1 \*\* 7 1、5 3 2 6 1 4 0 \*\*、5 3 2 6 1 7 0 \*\*  
 5 3 2 6 1 8 4 \*\*、5 3 2 6 1 8 6 \*\*  
 (\*\*は極数を示す。)  
 (\*\* SHOWS CIRCUITS SIZE.)

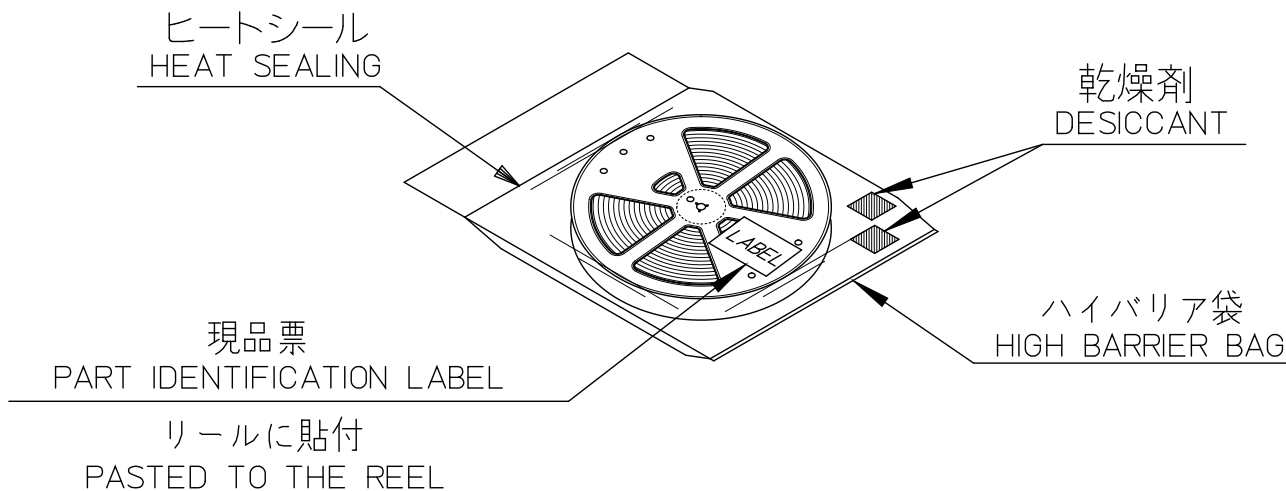
2. 標準梱包数／STANDARD PACK QUANTITY

極 数 CKT. SIZE	キャリア テープ幅 (mm) CARRIER TAPE WIDTH (mm)	1 リール中の製品数 QTY. PER REEL	外装カートン SHIPPING CARTON	
			梱包リール数 NUMBER OF REELS	製品数 QUANTITY
2	16	1,000	8	8,000
3				
4	24	1,000	6	6,000
5				
6				
7				
8				
9				
10				
11	32	1,000	4	4,000
12				
13				
14	44	1,000	3	3,000
15				
17				

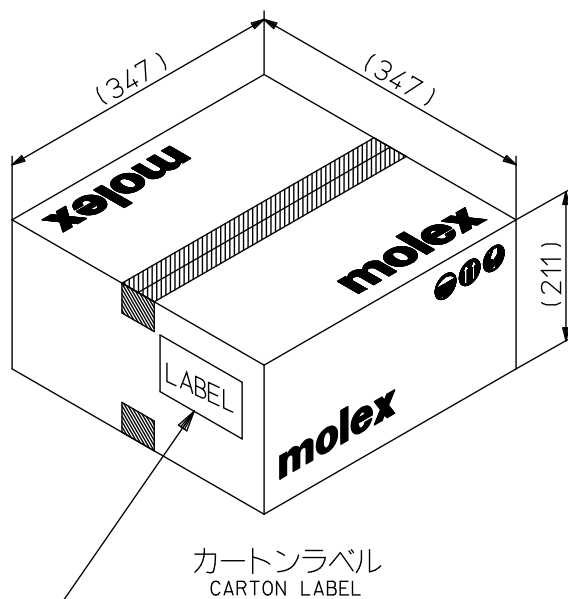
THIS DOCUMENT CONTAINS INFORMATION THAT IS PROPRIETARY TO MOLEX ELECTRONIC TECHNOLOGIES, LLC AND SHOULD NOT BE USED WITHOUT WRITTEN PERMISSION

REVISION DESCRIPTION	REVISED	<b>SALES PACKAGING SPEC. FOR 53261</b>					
CHANGE NO.	643408						
REVISED BY	YTOKUZONO	DATE	2020/04/07	DOC TYPE	DOC TYPE DESCRIPTION	DOC PART	SERIES
REV APPR BY	KTAKAHASHI	DATE	2020/08/17	PS	ENGINEERING SPECIFICATION WORD	001	53261
INITIAL RELEASE				CUSTOMER	DOCUMENT NUMBER	REVISION	SHEET
INITIAL DRWN	YTOKUZONO	DATE	2009/06/30	GENERAL	<b>SPK-53261-002</b>	<b>G</b>	1 OF 3
INITIAL APPR	JALEXANDER	DATE	2009/07/01				

3. ハイバリア袋への梱包方法及びラベル貼付位置 / PACKAGING METHOD FOR HIGH BARRIER BAG AND LABEL POSITION



4. カートン外形参考寸法 / CARTON OUTER DIMENSIONS (REFERENCE PURPOSE ONLY) 単位 / UNIT: mm



(製品型番, 数量, ロットNO. 表示)  
INDICATION OF PART No., QUANTITY, LOT No.

標準カートン  
STANDARD CARTON

THIS DOCUMENT CONTAINS INFORMATION THAT IS PROPRIETARY TO MOLEX ELECTRONIC TECHNOLOGIES, LLC AND SHOULD NOT BE USED WITHOUT WRITTEN PERMISSION

REVISION DESCRIPTION	REVISED	<b>SALES PACKAGING SPEC. FOR 53261</b>					
CHANGE NO.	643408						
REVISED BY	YTOKUZONO	DATE	2020/04/07	DOC TYPE	DOC TYPE DESCRIPTION	DOC PART	SERIES
REV APPR BY	KTAKAHASHI	DATE	2020/08/17	PS	ENGINEERING SPECIFICATION WORD	001	53261
INITIAL RELEASE				CUSTOMER	DOCUMENT NUMBER	REVISION	SHEET
INITIAL DRWN	YTOKUZONO	DATE	2009/06/30	GENERAL	<b>SPK-53261-002</b>	<b>G</b>	2 OF 3
INITIAL APPR	JALEXANDER	DATE	2009/07/01				

Use for Korean production only.

**1-1 제품 명칭(PRODUCT NAME) : PICOBLADE 1.25 SMT R/A EMBOSSED TAPE PACKAGING**

**제품 번호(PART NUMBER): 53261-\*\*71 ( \*\* SHOWS CIRCUITS SIZE )**

**1-2 표준 포장 수량(PACKING QUANTITY):**

CKT · SIZ E	CARRIE R TAPE WIDTH (mm)	QTY. PER REEL	SHIPPING CARTON		HIGH BARRIER BAG SIZE (mm)	MOUNT OF DESICCANT
			NUMBE R OF REEL	QUANTIT Y		SILCAGEL
2	16	1,000	7	7,000	400 X 460 X 0.06	1
3	16	1,000	7	7,000	400 X 460 X 0.06	1
4	24	1,000	6	6,000	400 X 460 X 0.06	1
5	24	1,000	6	6,000	400 X 460 X 0.06	1
6	24	1,000	6	6,000	400 X 460 X 0.06	1
7	24	1,000	6	6,000	400 X 460 X 0.06	1
8	24	1,000	6	6,000	400 X 460 X 0.06	1
9	24	1,000	6	6,000	400 X 460 X 0.06	1
10	32	1,000	5	5,000	400 X 460 X 0.06	1
11	32	1,000	5	5,000	400 X 460 X 0.06	1
12	32	1,000	5	5,000	400 X 460 X 0.06	1
13	32	1,000	5	5,000	400 X 460 X 0.06	1
14	44	1,000	4	4,000	450 X 510 X 0.06	1
15	44	1,000	4	4,000	450 X 510 X 0.06	1

**1-3 NOTE**

- 포장 평가는 ES40000-7001에 따르고, LEVEL 2 기준 1을 적용 한다.  
(ESTIMATE: APPLIED TO ES-40000-7001 AND LEVEL 2, CRITERION 1)

THIS DOCUMENT CONTAINS INFORMATION THAT IS PROPRIETARY TO MOLEX ELECTRONIC TECHNOLOGIES, LLC AND SHOULD NOT BE USED WITHOUT WRITTEN PERMISSION

REVISION DESCRIPTION	REVISED	<b>SALES PACKAGING SPEC. FOR 53261</b>					
CHANGE NO.	643408						
REVISED BY	YTOKUZONO	DATE	2020/04/07	DOC TYPE	DOC TYPE DESCRIPTION	DOC PART	SERIES
REV APPR BY	KTAKAHASHI	DATE	2020/08/17	PS	ENGINEERING SPECIFICATION WORD	001	53261
INITIAL RELEASE				CUSTOMER	DOCUMENT NUMBER	REVISION	SHEET
INITIAL DRWN	YTOKUZONO	DATE	2009/06/30	GENERAL	<b>SPK-53261-002</b>	<b>G</b>	3 OF 3
INITIAL APPR	JALEXANDER	DATE	2009/07/01				