

POSITIONS/ CONTACTS	A		B	
	INCH	MM	INCH	MM
03/12	0.157	4.00	0.236	6.00
04/16	0.236	6.00	0.315	8.00
05/20	0.315	8.00	0.394	10.00
06/24	0.394	10.00	0.472	12.00
07/28	0.472	12.00	0.551	14.00
08/32	0.551	14.00	0.630	16.00
09/36	0.630	16.00	0.709	18.00
10/40	0.709	18.00	0.787	20.00
11/44	0.787	20.00	0.866	22.00
12/48	0.866	22.00	0.945	24.00
13/52	0.945	24.00	1.024	26.00
14/56	1.024	26.00	1.102	28.00
15/60	1.102	28.00	1.181	30.00
16/64	1.181	30.00	1.260	32.00
17/68	1.260	32.00	1.339	34.00
18/72	1.339	34.00	1.417	36.00
19/76	1.417	36.00	1.496	38.00
20/80	1.496	38.00	1.575	40.00
21/84	1.575	40.00	1.654	42.00
22/88	1.654	42.00	1.732	44.00
23/92	1.732	44.00	1.811	46.00
24/96	1.811	46.00	1.890	48.00
25/100	1.890	48.00	1.969	50.00
26/104	1.969	50.00	2.047	52.00
27/108	2.047	52.00	2.126	54.00
28/112	2.126	54.00	2.205	56.00
29/116	2.205	56.00	2.283	58.00
30/120	2.283	58.00	2.362	60.00

PART NUMBER CODING

NRPNxx4RCCN-RC

NUMBER OF POSITIONS

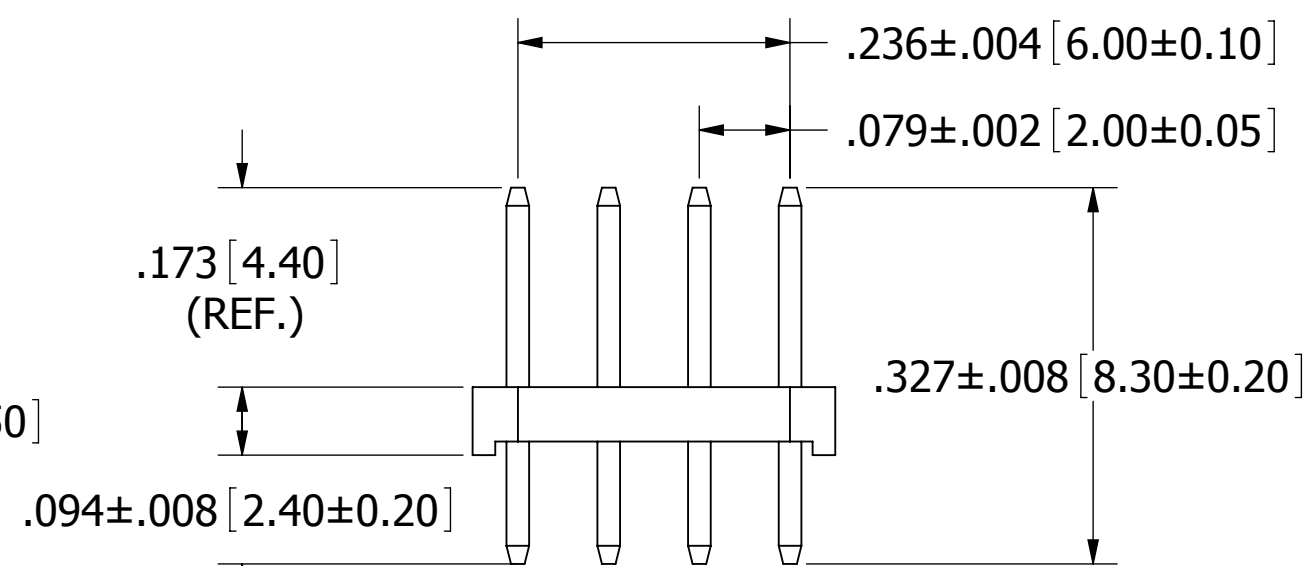
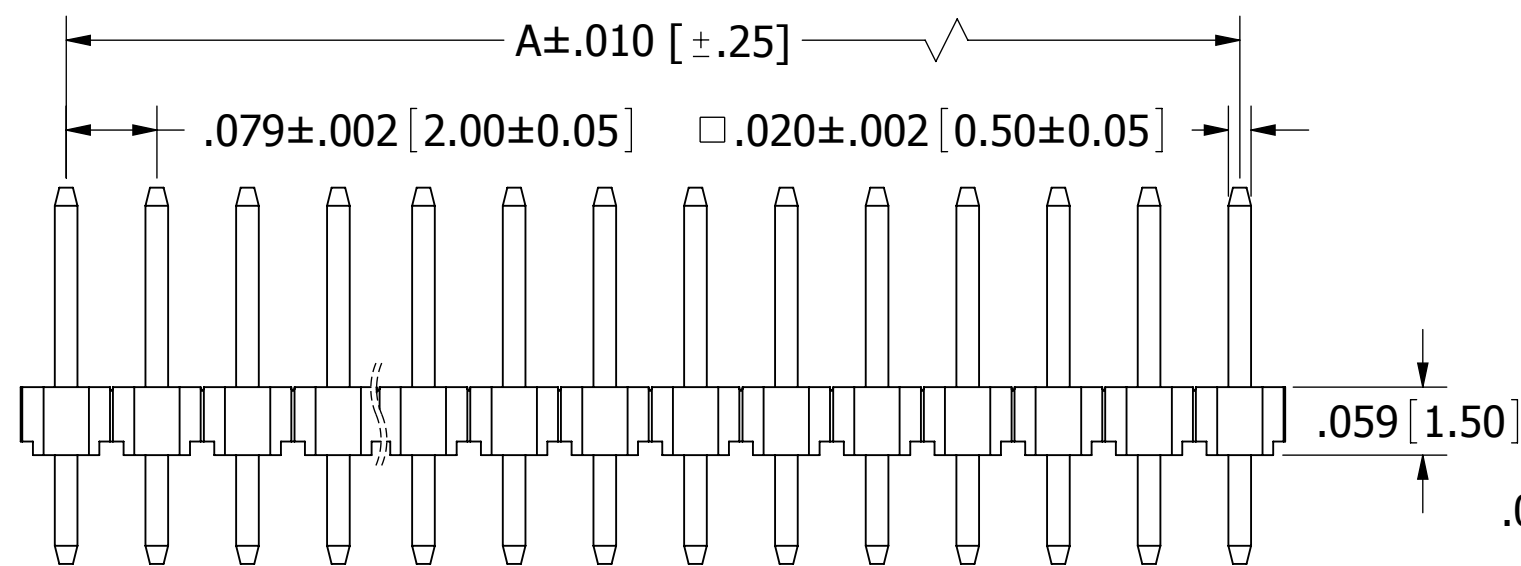
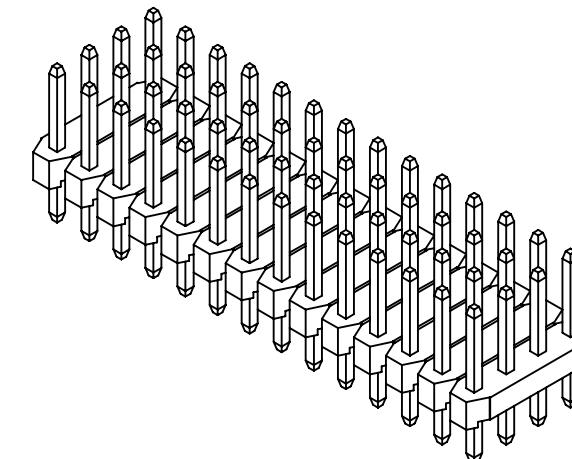
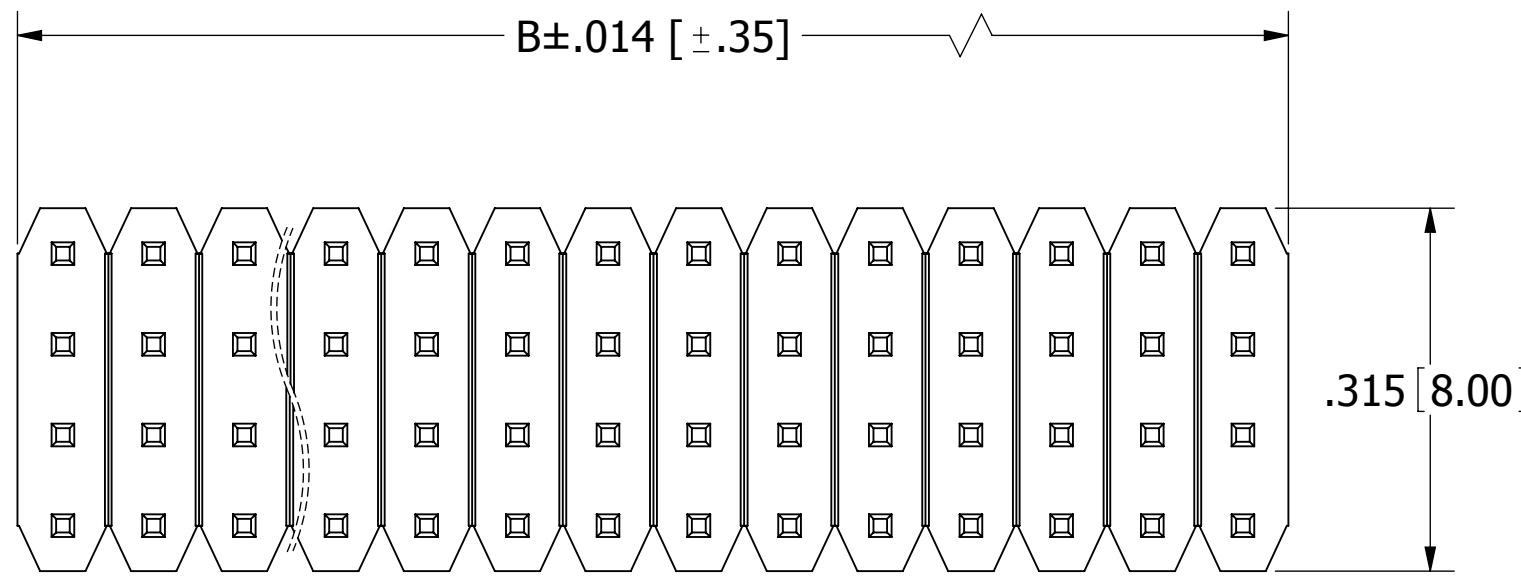
(CONTACTS PER ROW, 03 THRU 30)

INSULATOR MATERIAL

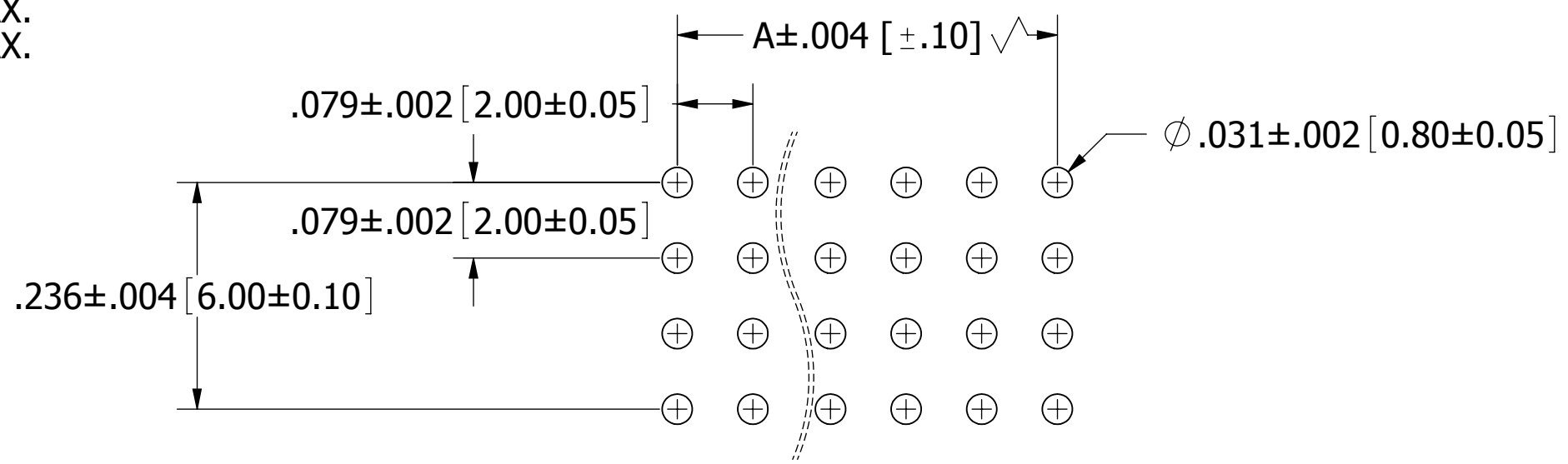
N = NYLON 6T, UL 94V-0.

P = OBSOLETE, REPLACE WITH N.

REVISIONS				
REV.	ECO. NO	DESCRIPTION	DATE	BY
C	1811	UPDATE VIEWS, POSI. CHART, TOLERANCE, ADD PCB LAYOUT	1/15/2009	JH
D	2828	UPDATE PROCESSING TEMPERATURE FOR NYLON 6T MATERIAL	04/09/2015	LH



02-20, 0.20mm MAX.
21-40, 0.30mm MAX.



RECOMMENDED PCB LAYOUT

- NOTES:**
- INSULATOR MATERIAL: SEE PART NUMBER CODING.
 - CONTACT MATERIAL: BRASS.
 - CONTACT PLATING: GOLD FLASH OVERALL.
 - CURRENT RATING: 2 AMPS.
 - INSULATOR RESISTANCE: 1000 MEGOHMS MIN.
 - CONTACT RESISTANCE: 20 MILLIOHMS MAX.
 - DIELECTRIC WITHSTANDING: AC 500V.
 - OPERATING TEMPERATURE: -40° C TO +105° C.
 - PROCESSING TEMP.: WAVE/MANUAL SOLDERING ONLY.



UNLESS OTHERWISE SPECIFIED: DIMENSIONS ARE IN INCHES [MM]		DRAWN	DATE	NAME	
TOLERANCES:			09/20/2006	YCH	
ANGULAR: ± 1°		THE INFORMATION HEREIN CONTAINS PROPRIETARY INFORMATION OF SULLINS ELECTRONICS AND IS NOT TO BE REPRODUCED, USED OR DISCLOSED TO OTHERS FOR ANY PURPOSE EXCEPT AS SPECIFICALLY AUTHORIZED IN WRITING BY AN OFFICER OF SULLINS ELECTRONICS.			TITLE
DECIMALS					HEADER, MALE 2mm CC, 4 ROWS, ST
.X=± .012 [30]					PART NUMBER
.XX=± .008 [20]					NRPNxx4RCCN-RC
.XXX=± .006 [15]		SIZE	CAGE CODE	DWG. NO.	REV
		C	54453	10734	D
		SCALE: 8:1		SHEET 1 OF 1	