

INTERCONNECTS

**SERIES 349, 449, 800, 801, 802, 803 • .100" GRID (.030" DIA. PINS),
SURFACE MOUNT HEADERS & SOCKETS • SINGLE AND DOUBLE ROW STRIPS**

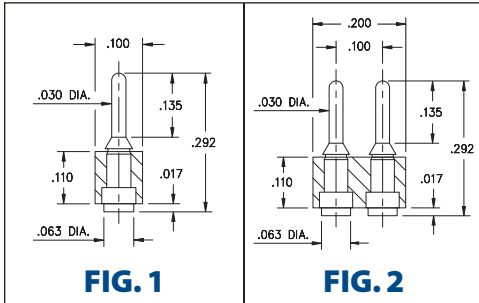


FIG. 1

FIG. 2

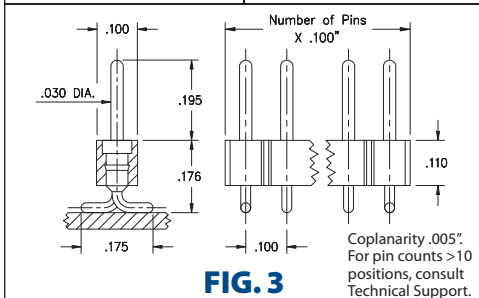


FIG. 3

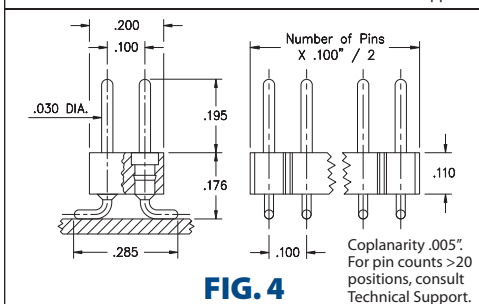


FIG. 4

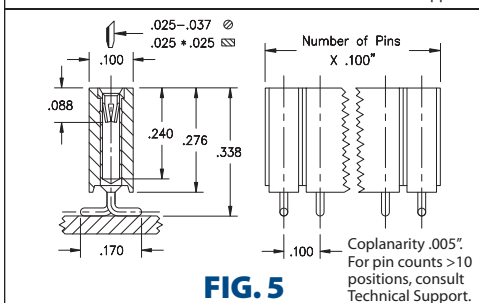


FIG. 5

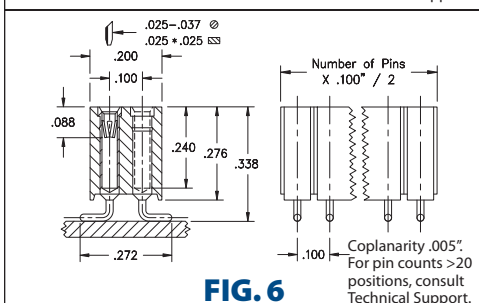
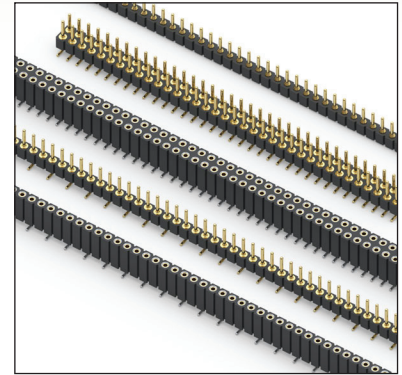








FIG. 6

- Series 349 & 449 use MM #4956-1 pins. See page 218 for details
- Series 800 & 802 use MM #7007 pins. See page 215 for details
- Series 801 & 803 use MM #1304 receptacles and accept pin diameters from .025"-.037" and .025" square pins. See page 177 for details
- Receptacles use Hi-Rel, 6-finger BeCu #47 contact rated at 4.5 amps. See page 256 for details
- Insulators are high temperature thermoplastic, suitable for all soldering operations



ORDERING INFORMATION

FIG. 1	Series 349...560	Single Row Surface Mount Header			
	349-10-1__-00-560000		Specify number of pins	02-64	
FIG. 2	Series 449...560	Double Row Surface Mount Header			
	449-10-2__-00-560000		Specify number of pins	04-64	
FIG. 3	Series 800...001	Single Row Surface Mount Header			
	800-10-0__-30-001000		Specify number of pins	03-64	
FIG. 4	Series 802...001	Double Row Surface Mount Header			
	802-10-0__-30-001000		Specify number of pins	04-72	
SPECIFY PLATING CODE XX=		10	◆		
Pin Plating			10 μ" Au		
FIG. 5	Series 801...001	Single Row Surface Mount Socket			
	801-43-0__-30-001000		Specify number of pins	03-50	
FIG. 6	Series 803...001	Double Row Surface Mount Socket			
	803-XX-__-30-001000		Specify number of pins	004-100	
					
SPECIFY PLATING CODE XX=			93	◆	43
Sleeve (Pin)			200 μ" Sn/Pb		200 μ" Sn
Contact (Clip)			30 μ" Au		30 μ" Au

