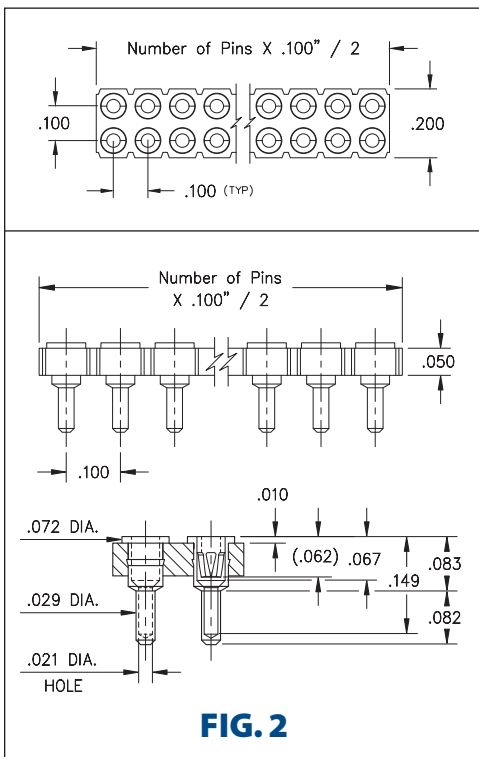
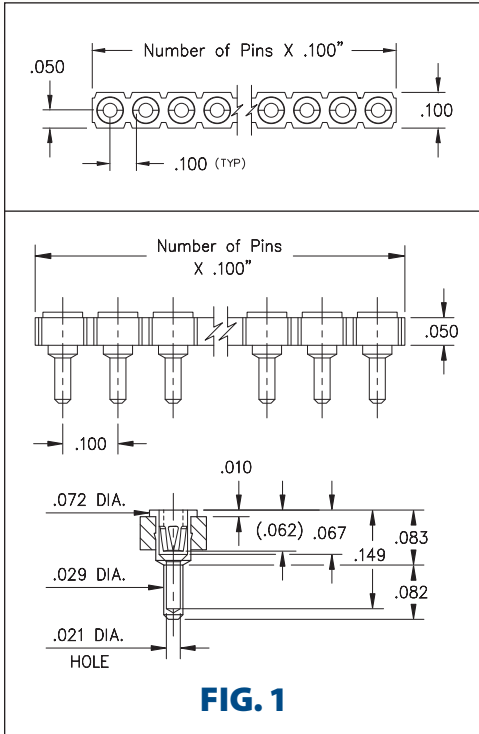
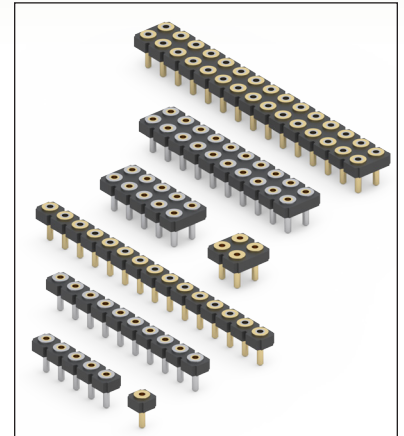


INTERCONNECTS

SERIES 315 & 415 • .100" GRID, SUPER LOW PROFILE SOCKETS • SINGLE AND DOUBLE ROW STRIPS



- Series 315 and 415 solder mount sockets use MM #0512 receptacles that accept pin diameters from .015"-.022". See pages 161 for details
- Hi-Rel, 4-finger BeCu #12 contact is rated at 3 amps. See page 252 for details
- .083" Super low profile above the board utilizes .050" thick insulators
- Insulators are high temperature thermoplastic, suitable for all soldering operations



ORDERING INFORMATION

FIG. 1	Series 315...004	Single Row Socket
		315-XX-1
	Specify number of pins	01-32
FIG. 2	Series 415...004	Double Row Socket
		415-XX-2
	Specify number of pins	04-72

	SPECIFY PLATING CODE XX=	13	93	43	44
Sleeve (Pin)	10 μ" Au	200 μ" Sn/Pb	200 μ" Sn	200 μ" Sn	200 μ" Sn
Contact (Clip)	30 μ" Au	30 μ" Au	30 μ" Au	100 μ" Sn	Au Flash