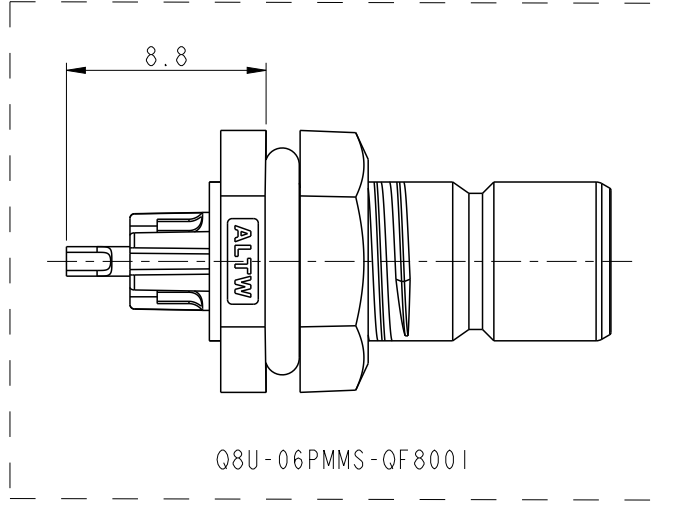
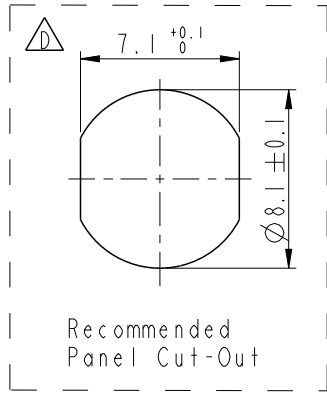
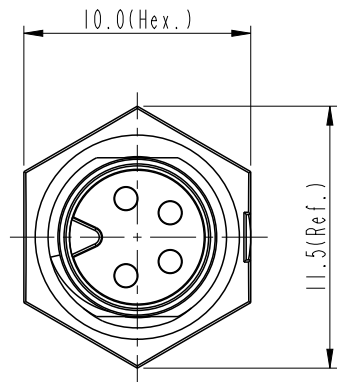
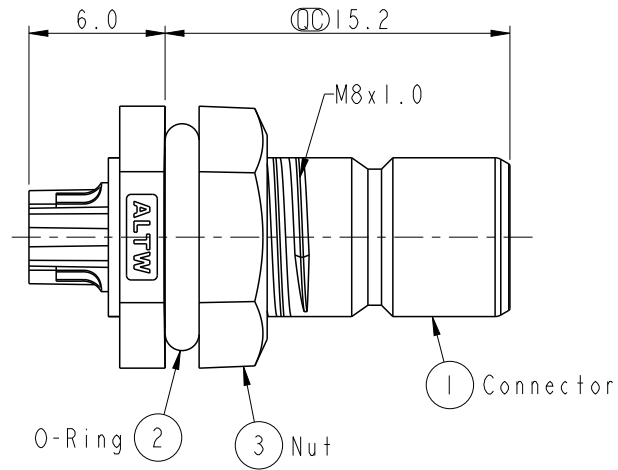
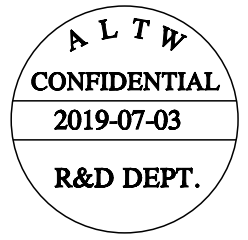


THIS DOCUMENT IS SUBJECT TO CHANGE WITHOUT NOTICE. IT IS CONFIDENTIAL AND A PROPERTY OF AMPHENOL LTW. DISCLOSURE TO THIRD PARTY HAS TO BE AUTHORIZED BY AMPHENOL LTW.

REV.	ECN NO.	DATE	SIGN	DESCRIPTION
B	LEN1680170	2016/07/28	Aric Ko	Modify Drawing
C	CI90342	2019/03/26	Ruru	Modify Note
D	CI91096	2019/07/03	Angel Chou	Add Dimension



- Note:
- * Important Dimension
 - * Waterproof Rate: IP68, Mated
1M Depth of water in 24 hours
 - * Housing: Thermoplastic, Black
 - * Pin: Copper Alloy, Gold Plated
 - * Nut: Thermoplastic, Black
 - * O-Ring: Rubber, Black
 - * Panel Thickness: 0.8~2.0mm
 - * Nut are packed separately in PE bags

UNIT: mm		
TOLERANCE	.X ±0.25	
.XX ±0.1		
.XXX ±0.05		
ANGLES	±1°	

TITLE SIZE 8, RECEPTACLE(FRONT) HS-LOK, M CONN M PIN			
SCALE 3:1	SIZE A4	SHEET 1 OF 2	
REV. D	WC-REV. A.7	Inspection item	

Amphenol LTW
安費諾亮泰企業股份有限公司

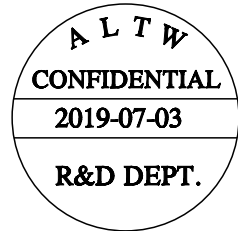
ITEM NO.	DRAWN BY Angel Chou	DATE 2019-07-03
DWG NO. Q8XX-0XPMMS-QF8001	CHECKED BY Victor Hung	DATE 2019-07-03
CUSTOMER ALTW	APPROVED BY Max Yang	DATE 2019-07-03

THIS DOCUMENT IS SUBJECT TO CHANGE WITHOUT NOTICE. IT IS CONFIDENTIAL AND A PROPERTY OF Amphenol LTW. DISCLOSURE TO THIRD PARTY HAS TO BE AUTHORIZED BY Amphenol LTW.

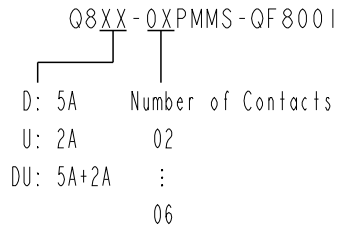


	2 Contacts(02) Wire Color Identification: 1.White, 2.Black
	3 Contacts(03) Wire Color Identification: 1.White, 2.Black, 3.Green
	4 Contacts(04) Wire Color Identification: 1.White, 2.Black, 3.Red, 4.Blue
	5 Contacts(05) Wire Color Identification: 1.White, 2.Black, 3.Red, 4.Blue, 5.Green
	6 Contacts(06) Wire Color Identification: 1.White, 2.Black, 3.Red, 4.Blue, 5.Green, 6.Brown
	2+3 Contacts(05) Wire Color Identification: 1.White, 2.Black, 3.Red, 4.Blue, 5.Green

Pin Assignments, Front View



Ordering Information:



Mating Connector:

Overmolded with Cable: Q8XX-0XAFFM-QL8AXX

UNIT:mm		TITLE SIZE 8, RECEPTACLE(FRONT) HS-LOK, M CONN M PIN
TOLERANCE .X ±0.25 .XX ±0.1 .XXX ±0.05 ANGLES ±1°	SCALE 1:1	SIZE A4
	REV. D	SHEET 2 OF 2
	WC-REV. A.2	Inspection item

Amphenol LTW
安費諾亮泰企業股份有限公司

ITEM NO	DRAWN BY Angel Chou	DATE 2019-07-03
DWG NO Q8XX-0XPMS-QF8001	CHECKED BY Victor Hung	DATE 2019-07-03
CUSTOMER ALTW	APPROVED BY Max Yang	DATE 2019-07-03