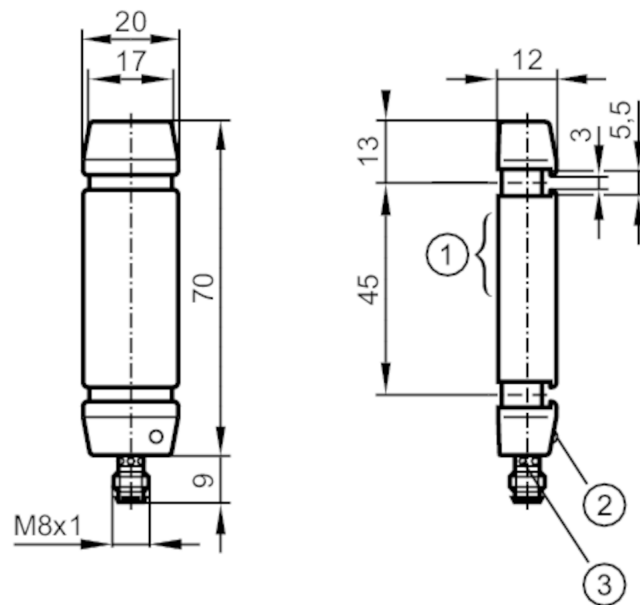




Inductive tube sensor

I8-3014-BPKG/AS-610-DPS



- 1 Sensing face
- 2 LED operating status
- 3 LED switching status



Product characteristics

Electrical design	PNP
Output function	normally open
Sensing range [mm]	< 14
Housing	rectangular
Dimensions [mm]	70 x 20 x 12

Application

Operating principle	static
---------------------	--------

Electrical data

Operating voltage [V]	10...35 DC
Current consumption [mA]	< 15
Protection class	III
Reverse polarity protection	yes

Outputs


Electrical design	PNP
Output function	normally open
Max. voltage drop switching output DC [V]	2
Permanent current rating of switching output DC [mA]	200
Short-circuit protection	yes
Overload protection	yes

I85000



Inductive tube sensor

I8-3014-BPKG/AS-610-DPS

Detection zone		
Sensing range [mm]	< 14	
Resolution of steel ball (diameter) [mm]	3	
Max. part speed [m/s]	35	
Response times		
Pulse stretching [ms]	100	
Max. fall time [ms]	100	
Response time [ms]	< 0.5	
Operating conditions		
Ambient temperature [°C]	-25...70	
Protection	IP 67	
Tests / approvals		
MTTF [years]	1332	
UL approval	Ta	-25...70 °C
	Enclosure type	Type 4X (indoor use only) / 12 and 13
	voltage supply	Class 2
	File number UL	E174191
Mechanical data		
Weight [g]	50	
Housing	rectangular	
Dimensions [mm]	70 x 20 x 12	
Materials	housing: PC	
Displays / operating elements		
Display	switching status	1 x LED, yellow
	operation	1 x LED, green
Accessories		
Items supplied	fixing straps: 2	
Remarks		
Pack quantity	1 pcs.	
Electrical connection - plug		
Connector: 1 x M8		
		

I85000



Inductive tube sensor

I8-3014-BPKG/AS-610-DPS

Connection

