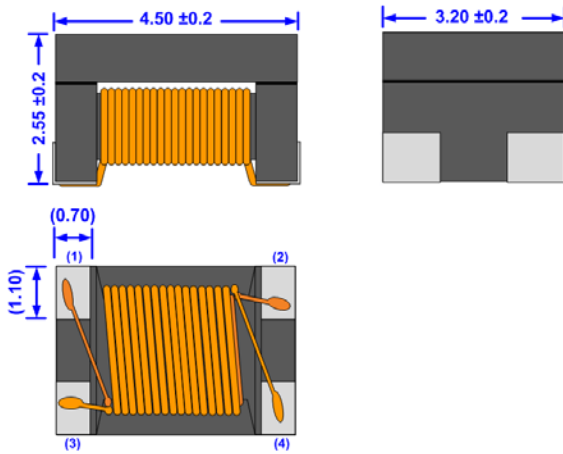


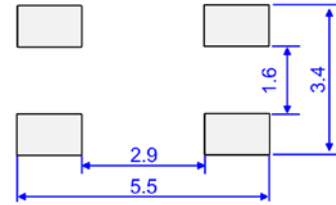
SHAPE AND DIMENSIONS

AMCW4532B TYPE



Recommended Land Pattern

Unit:mm



SPECIFICATIONS

AMCW3225B TYPE

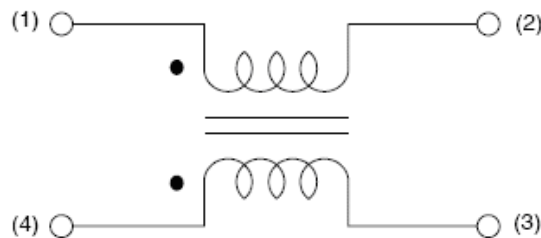
Part Number	Inductance	DC Resistance	Rated Current	Rated Voltage	Insulation Resistance
	+50%/-30%	Max.	Max.	Max.	Min.
Units	μH	Ω	mA	Volts	MΩ
Symbol	L	DCR	I _r	V _{DC}	IR
AMCW3225B-2-110T	11(@100KHz/0.1V)	0.3	400	80	10
AMCW3225B-2-220T	22(@100KHz/0.1V)	0.5	300	80	10
AMCW3225B-2-510T	51(@100KHz/0.1V)	1.5	200	80	10
AMCW3225B-2-101T	100(@100KHz/0.1V)	2.2	150	80	10

AMCW4532B TYPE

Part Number	Inductance	DC Resistance	Rated Current	Rated Voltage	Insulation Resistance
	+50%/-30%	Max.	Max.	Max.	Min.
Units	μH	Ω	mA	Volts	MΩ
Symbol	L	DCR	I _r	V _{DC}	IR
AMCW4532B-2-110T	11(@100KHz/0.1V)	0.5	360	50	10
AMCW4532B-2-220T	22(@100KHz/0.1V)	0.8	310	50	10
AMCW4532B-2-510T	51(@1.0MHz/0.1V)	1.0	230	50	10
AMCW4532B-2-101T	100(@1.0MHz/0.1V)	2.0	200	50	10

※: Products with other electrical characteristics can be provided upon customer's request. Please contact your local sales.

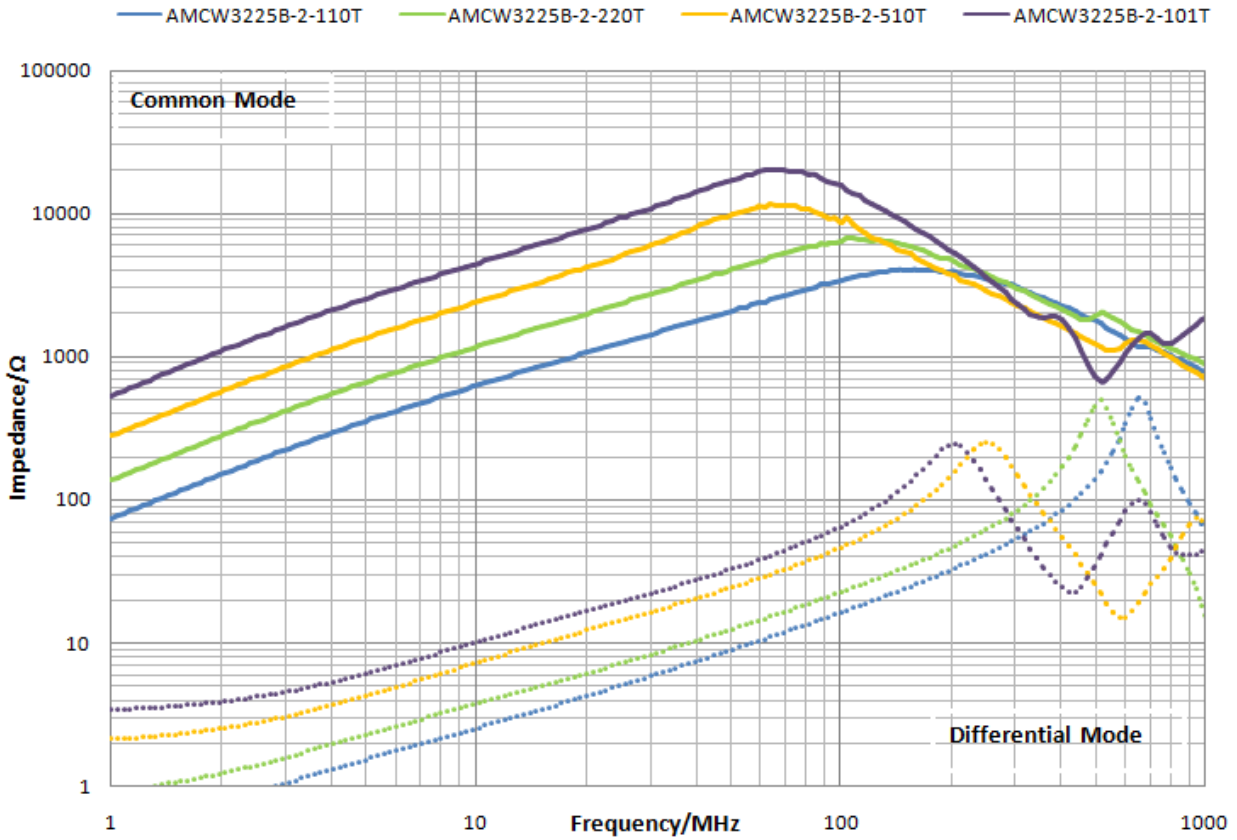
EQUIVALENT CIRCUIT



TYPICAL ELECTRICAL CHARACTERISTICS

Impedance vs. Frequency

AMCW3225B TYPE



Impedance vs. Frequency

AMCW4532B TYPE

