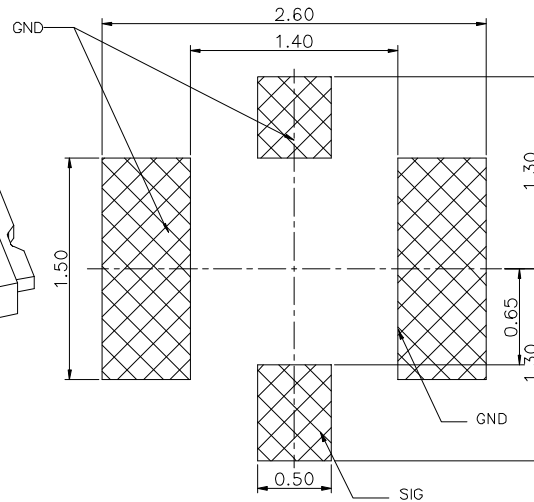
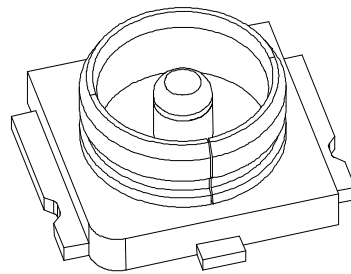
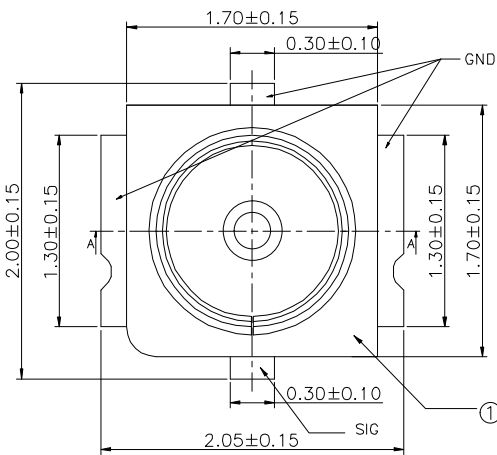


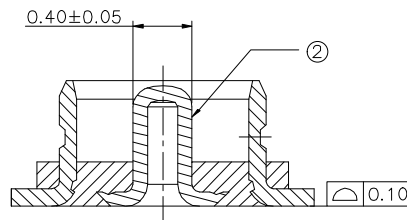
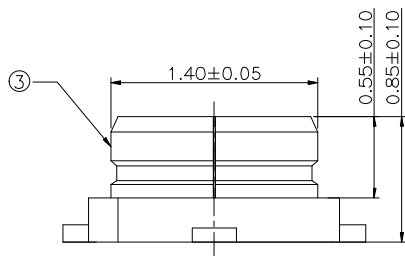


RoHS  
Compliant  
2016/863/EU



Recommended PCB Layout  
(General Tolerance Is ±0.05)

1. Material: see table A
2. Plating: see table A
3. Electrical characteristics
  - 3.1 Rated voltage: 60V, 50Hz, rms.
  - 3.2 Insulation resistance  $\geq 5,000 \Omega$ ;
  - 3.3 Dielectric withstanding voltage: 200V AC 1 Min;
  - 3.4 Contact resistance:
    - 3.4.1 Inner conductor  $\leq 20m \Omega$ ;
    - 3.4.2 Outer conductor  $\leq 20m \Omega$ ;
  - 3.5 Characteristic impedance:  $50 \Omega$ .
  - 3.6 VSWR:
    - $\leq 1.3$  (DC~3GHz)
    - $\leq 1.4$  (3~6GHz).
  - 3.7 Frequency range: DC~6GHz.
4. Environment
  - 4.1 Operating temperature range:  $-40^{\circ}C \sim +90^{\circ}C$ .
  - 4.2 Relative humidity:  $\leq 95\%$  ( $40^{\circ}C \pm 2^{\circ}C$ )
  - 4.3 Product should meet HSF requirement;



Section: A-A

1	HOUSING	1	THERMOPLASTIC, COLOR: BLACK, UL 94V-0	—
2	CONTACT	1	COPPER ALLOY, PLATING Au	—
3	SHELL	1	COPPER ALLOY, PLATING Au	—
Item	component	Qt'y	Material/Treatment	Note

Free tolerance	Unit	mm			深圳市华灿天禄电子有限公司								
Length size	Material		SEE NOTES							Product Name	RF III Receptacle Assembly (H=0.85mm)		
X. ±0.50	Finish		SEE NOTES		P/N	3.2.08.0112							
.X ±0.30	Approved by	Jack Hu	Jun. 02, 16	Checked by		YC.YANG	Jun. 02, 16	Designed by	PAN BAI	Jun. 02, 16	Drawing No.	HC-RF-IPEX2020-03	
.XX ±0.20	Drawn by		ZH.XU		Jun. 02, 16							Scale	1 : 1
.XXX ±0.10	角度		X. ±3.0'	.X ±2.0'	.XX ±1.0'								

A1	—	New release	ZH.XU	YC.YANG	Jack Hu
Version	ECN No.	Edit description	Drawing/Date	Checked by	Approved by