

Product Specification

Product Name: 4G Indoor Communication Module

Product model: AF107

Ver: V1.1

Document scope

It is suitable for assisting cooperative manufacturers to understand product application;

It is suitable for users' understanding of product requirements.

Document modification record

修改日期	版本	修订者	备注
2021-03-10	V1.0	MARK_WU	

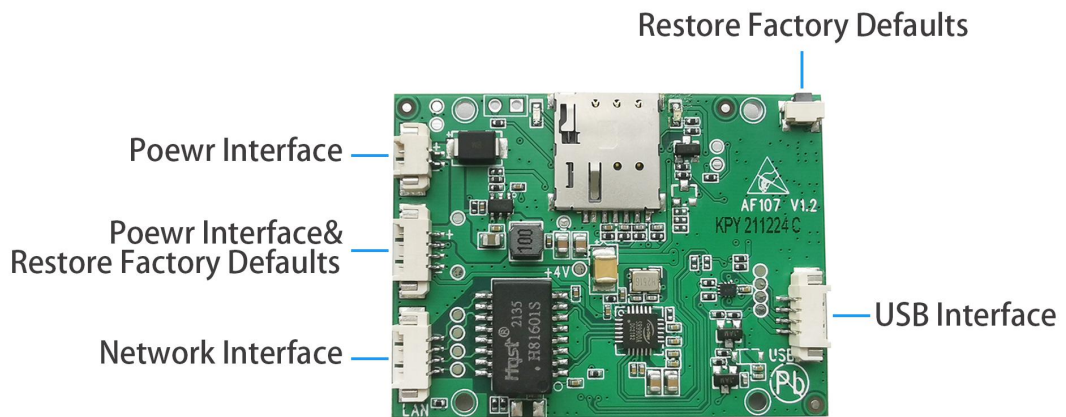
Catalog

Product Specification.....	1
Document scope.....	2
1、 Introduction.....	4
2、 Structure Size : (Unit length: mm)	5
3、 Interface Diagram:	6
4、 Product Specifications.....	7

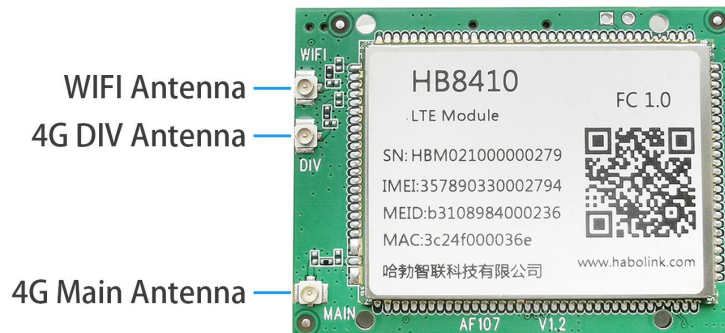
1、Introduction

AF107 4G Indoor Communication Module provides superior wireless access performance and comprehensive routing capabilities to bring wireless broadband data to end-users. It converts high-speed TDD/FDD signals to Wi-Fi signals and the local area network (LAN). Wireless and wired devices, including mobile phones, laptops, tablets, and other smart devices, can access the 4G Router simultaneously.

Af107 is a standard 38 board, with a LAN port and WiFi function, easy to integrate in the device.

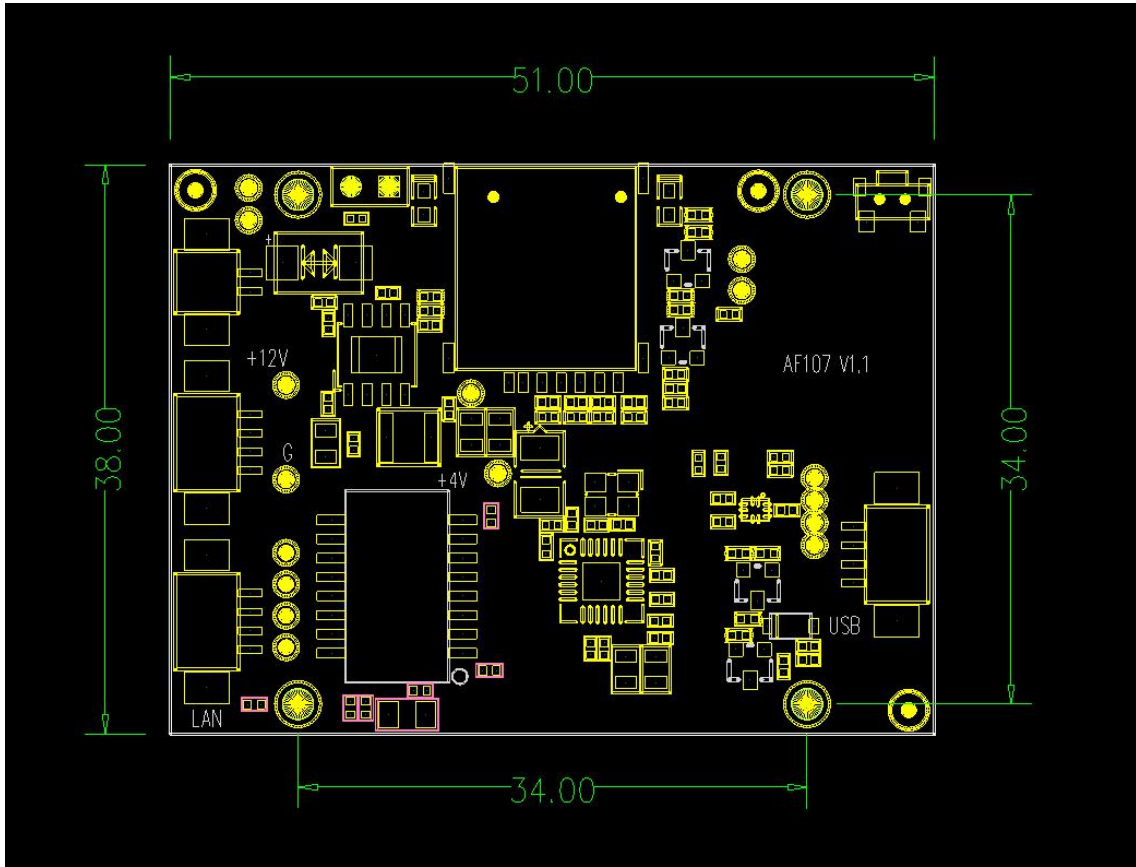


Front View

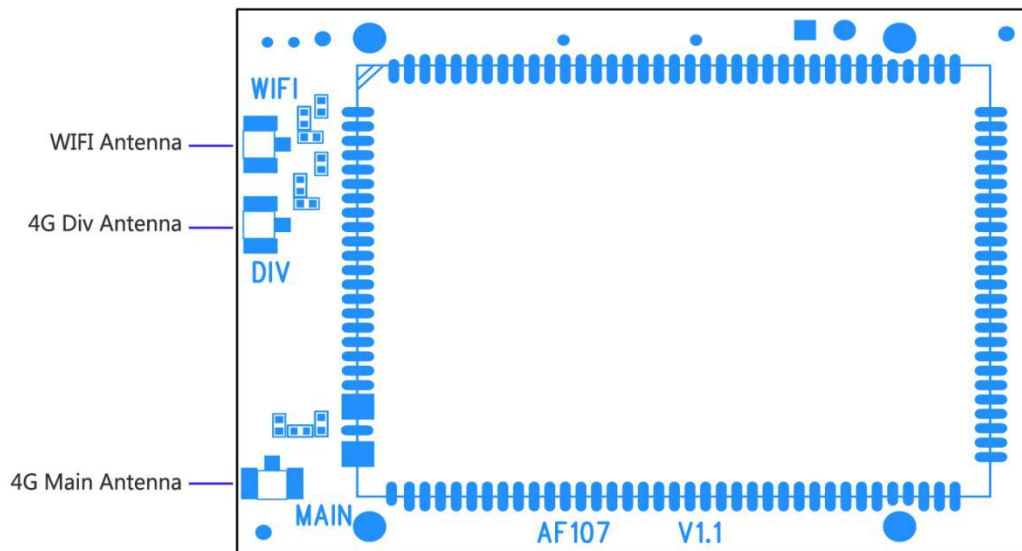
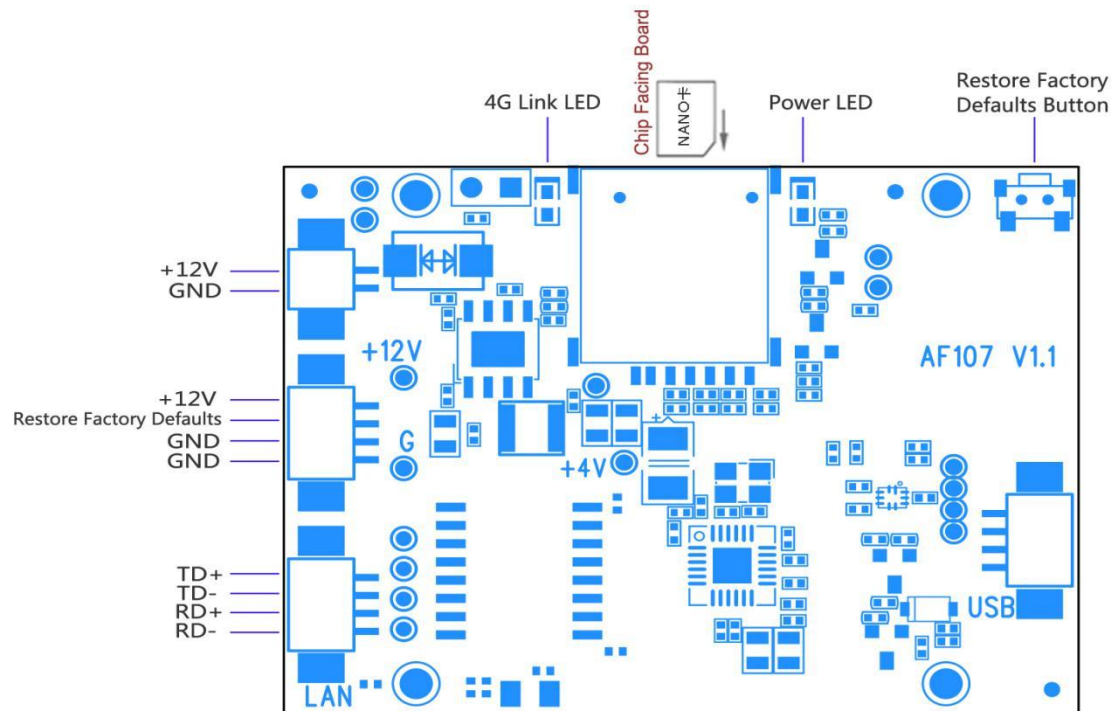


Back View

2、Structure Size : (Unit length: mm)



3、Interface Diagram:



4、Product Specifications

Product parameters	Describe
supply voltage	Wide voltage input , DC[5V---12V]
power waste	Normal operation power < 3W; peak value 400mA@12V
Power interface form	1.25 Power socket
Working frequency band	FDD LTE: B1/B3/B5/B8 TDD LTE: B38/B39/B40/B41 WCDMA: B1/B5/B8 CDMA2000 1X/EVDO: BCO
speed	LTE-FDD: Max 150Mbps(DL) Max 50Mbps(UL) LTE-TDD: Max 130Mbps(DL) Max 35Mbps(UL) DC-HSPA+: Max 42Mbps(DL) Max 5.76Mbps(UL) UMTS: Max 384Kbps(DL) Max 384Kbps(UL) TD-SCDMA: Max 4.2Mbps(DL) Max 2.2Mbps(UL) CDMA: Max 3.1Mbps(DL) Max 1.8Mbps(UL)
WiFi	802.11b/g/n
network interface	1 port RJ11, 100M, Auto MDI/MDIX
4G antenna	IPEX first generation, two socket
WiFi antenna	IPEX first generation, one socket
LED Indicators	Power LEDx1 LTE Link LEDx1
LCD interface	Optional, support 1.44 Color screen LCD
USIM/SIM	1.8V/3.0V USIM 2FF Nano card
Key1	One, press and hold 10S to restore the factory default settings
Dimensions	7.8mm (H) x 51mm (W) x38mm (D)
Weight	About 16g
working temperature	-25° C—+50° C
Working humidity	10%—95%RH
Storage temperature	-40° C—+85° C