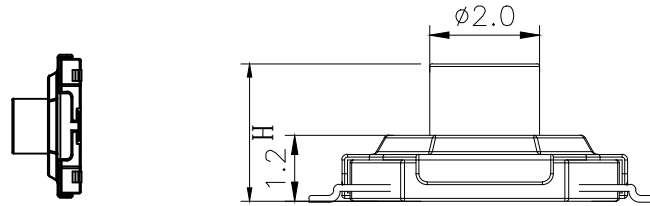
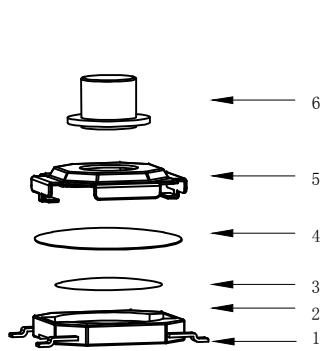


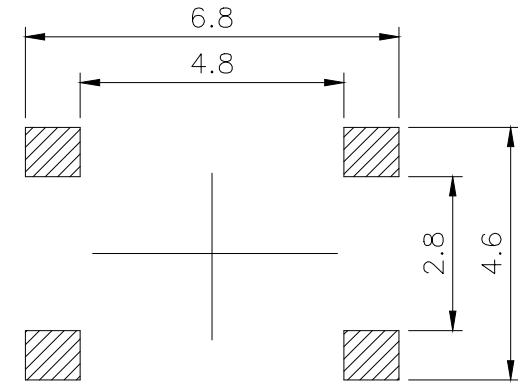
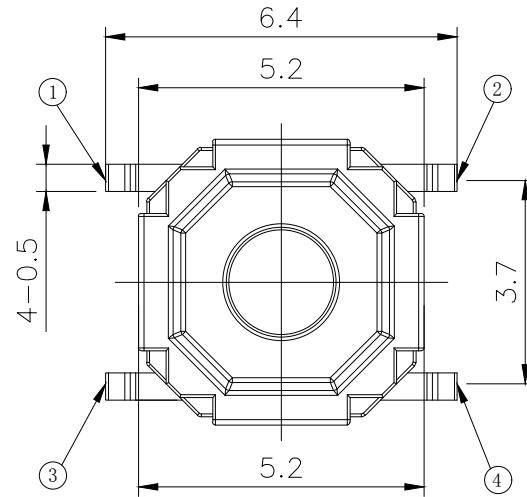
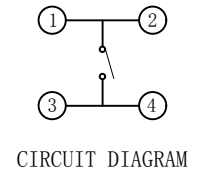
RoHS

CAD GENERATED DRAWING. DON'T CHANGE BY HAND.

REV.	ECN. NO.	APPD.



H			
A	1.5	B	1.7
C	2.0	D	2.3
E	2.5	F	3.0
G	3.5	H	4.0
I	4.3	J	4.5
K	5.0		



PCB WELDING DRAWING

Specification

Rate voltage,current	50mA DC12V
Contact resistance	≤100mΩ
Operating force	160±50gf
Travel	0.20±0.10mm
Insulated resistance	≥100MΩ
Dielectric strength	≥250VAC/1min
Life cycle	≥100000次

ITEM	PART NAME	Q' TY	MATERIAL	FINSH/COLOR
6	Button	1	Plastic	PPA
5	Cover	1	Stainless steel	Cleaning
4	Dust film	1	Polyimide	Orange
3	Shrapnel	1	Stainless steel	Silver
2	Housing	1	PPA	Black
1	Cards	1	Brass	Silver

X.	±0.50	X.°	±2°
.X	±0.30	.X°	±1°
.XX	±0.10	.XX°	±0.5°
.XXX	±0.05		

UNITS	mm
MAT'L	/
FINISH	/
Q' TY	/



深圳市怡远科技有限公司  
SHENZHEN YIYUAN TECHNOLOGY CO.,LTD

PART NO.  
YTS-C005P-1H

TITLE:  
TACTILE SWITCH

APPD: ROGER

DWG NO. :  
YTS-C005P-1H

CHKD: ROC  
DR: BILLY WANG 2020/08/21

SCALE	SHEET	REV.
1/1	1/1	A1