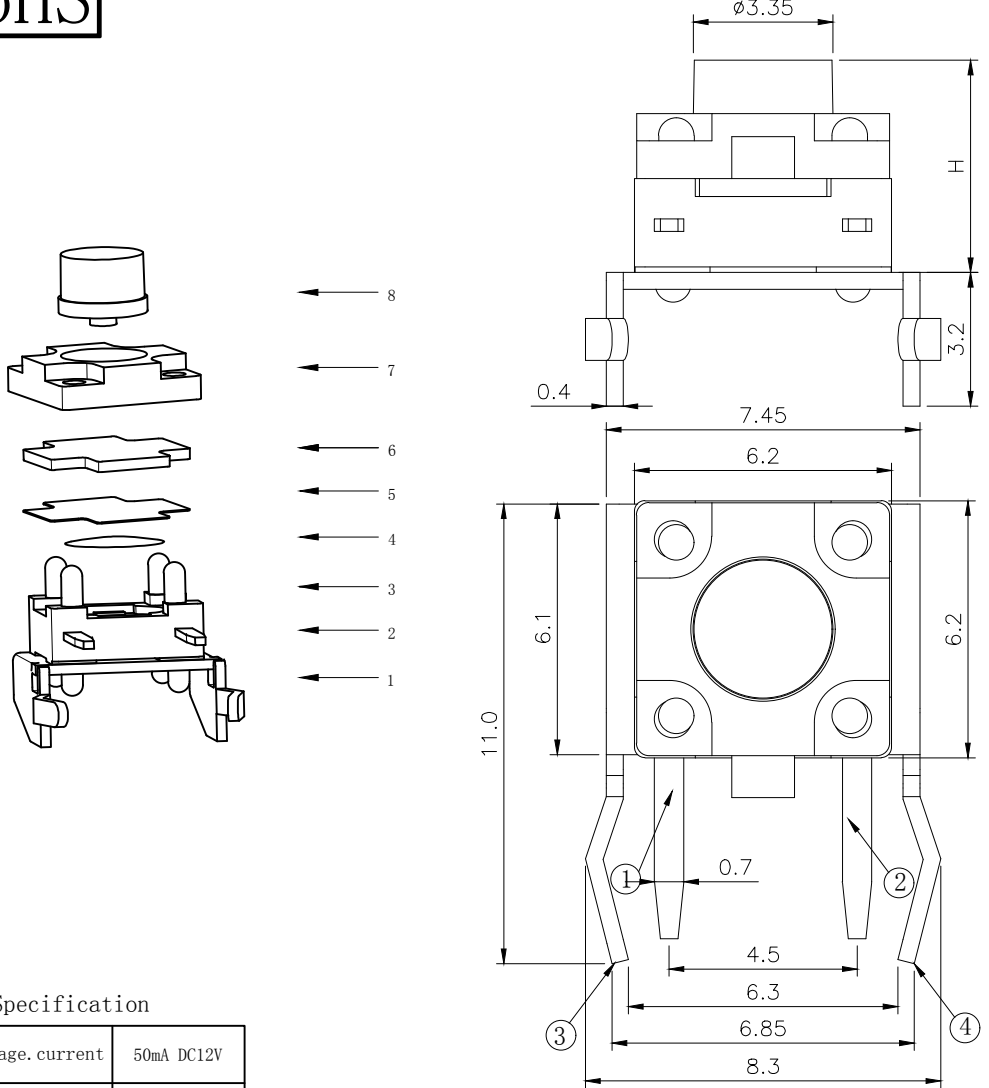


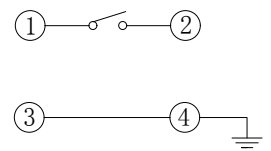
RoHS

CAD GENERATED DRAWING. DON'T CHANGE BY HAND.

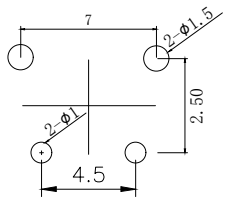
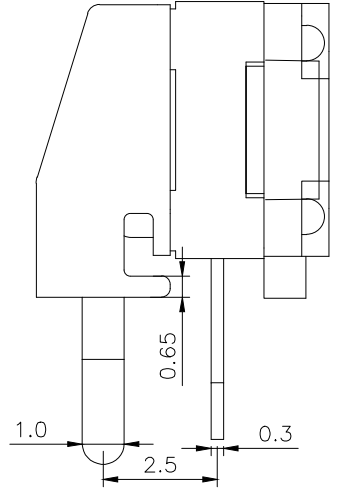
REV.	ECN. NO.	APPD.



H			
A	4.3	B	5.0
C	5.5	D	6.0
E	6.5	F	7.0
G	7.5	H	8.0
I	8.5	J	9.0
K	9.5		



CIRCUIT DIAGRAM



PCB. WELDING DRAWING

Specification

Rate voltage.current	50mA DC12V
Contact resistance	≤100mΩ
Operating force	250±50gf
Travel	0.30±0.15mm
Insulated resistance	≥100MΩ
Dielectric strength	≥250VAC/1min
Life cycle	≥30000次

8	Button	1	PPA	Black
7	Cover	1	PPA	Black
6	Waterproof layer	1	Silica gel	Black
5	Dust film	1	Polyimide	Orange
4	Shrapnel	1	Stainless steel	Silver
3	Housing	1	PPA	Black
2	Cards	1	Brass	Silver
1	Bracket	1	Iron	Silver
ITEM	PART NAME	Q' TY	MATERIAL	FINSH/COLOR

X.	±0.50	X.°	±2°	UNITS mm
.X	±0.30	.X°	±1°	
.XX	±0.10	.XX°	±0.5°	
.XXX	±0.05			MAT'L
THESE DRAWINGS AND SPECIFICATIONS ARE THE PROPERTY OF YIYUAN TECHNOLOGY CO.,LTD AND SHALL NOT BE REPRODUCED, COPIED OR USED IN ANY MANNER WITHOUT THE PRIOR WRITTEN CONSENT OF YIYUAN TECHNOLOGY CO.,LTD				FINISH
				Q' TY

	深圳市怡远科技有限公司 SHENZHEN YIYUAN TECHNOLOGY CO.,LTD							
	PART NO. YTS-G008-2H	TITLE: TACTILE SWITCH						
APPD: ROGER	DWG NO.: YTS-G008-2H							
CHKD: ROC								
DR: BILLY WANG 2020/08/21		<table border="1"> <tr> <th>SCALE</th> <th>SHEET</th> <th>REV.</th> </tr> <tr> <td>1/1</td> <td>1/1</td> <td>A1</td> </tr> </table>	SCALE	SHEET	REV.	1/1	1/1	A1
SCALE	SHEET	REV.						
1/1	1/1	A1						