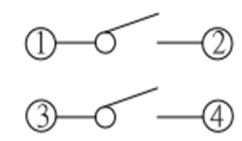
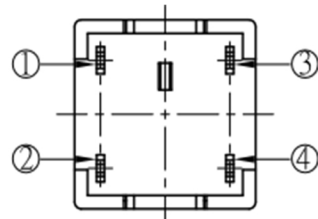
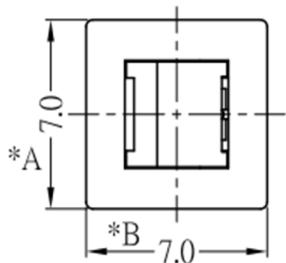


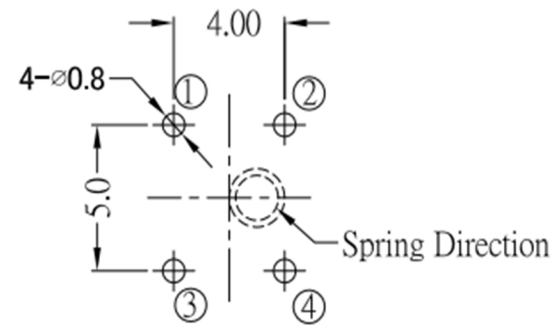
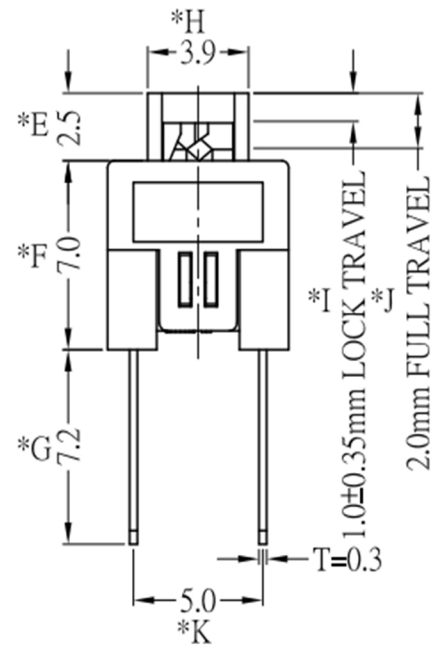
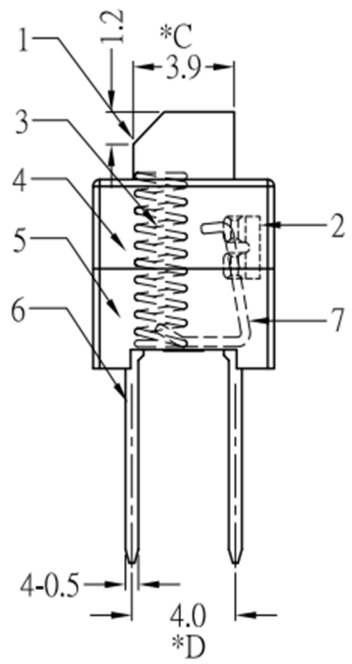
RoHS

CAD GENERATED DRAWING. DON'T CHANGE BY HAND.

REV.	ECN. NO.	APPD.



SCHEMATIC



P.C.B.LAYOUT

* CRITICAL DIMENSION

7	CAM STICK	1	SUS WIRE	NATURAL
6	TERMINAL	4	BRASS STRIP	Ag COATING
5	CASE	1	PBT	GRAY
4	COVER	1	POM	WHITE
3	SPRING	1	SUS	NATURAL
2	CONTACT	2	PBS	Ag CLAD
1	KNOB	1	POM	BLUE
NO.	PART NAME	Q' TY	MATERIAL	FINSH/COLOR

X.	± 0.50	X.°	± 2°
.X	± 0.30	.X°	± 1°
.XX	± 0.10	.XX°	± 0.5°
.XXX	± 0.05		

THESE DRAWINGS AND SPECIFICATIONS ARE THE PROPERTY OF YIYUAN TECHNOLOGY CO.,LTD AND SHALL NOT BE REPRODUCED, COPIED OR USED IN ANY MANNER WITHOUT THE PRIOR WRITTEN CONSENT OF YIYUAN TECHNOLOGY CO.,LTD

UNITS	mm
MAT'L	/
FINISH	/
Q' TY	/

	深圳市怡远科技有限公司 SHENZHEN YIYUAN TECHNOLOGY CO., LTD							
	PART NO. YTSPS-22E72L	TITLE: TACTILE SWITCH						
APPD: ROGER	DWG NO.: YTSPS-22E72L							
CHKD: ROC	<table border="1"> <tr> <td>SCALE</td> <td>SHEET</td> <td>REV.</td> </tr> <tr> <td>1/1</td> <td>1/1</td> <td>A1</td> </tr> </table>		SCALE	SHEET	REV.	1/1	1/1	A1
SCALE	SHEET	REV.						
1/1	1/1	A1						
DR: BILLY WANG 2020/08/21								