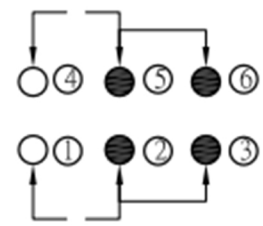
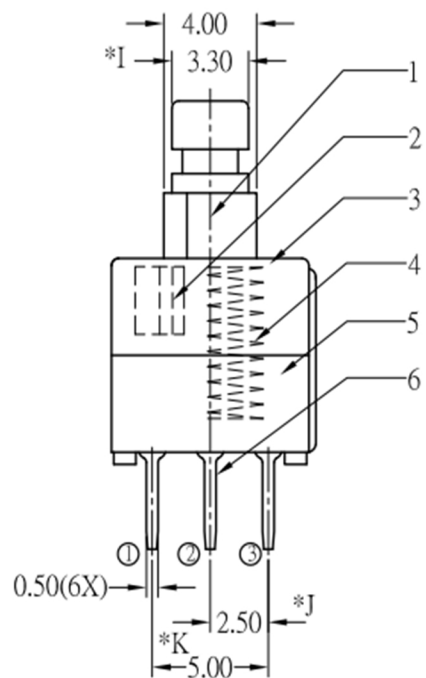
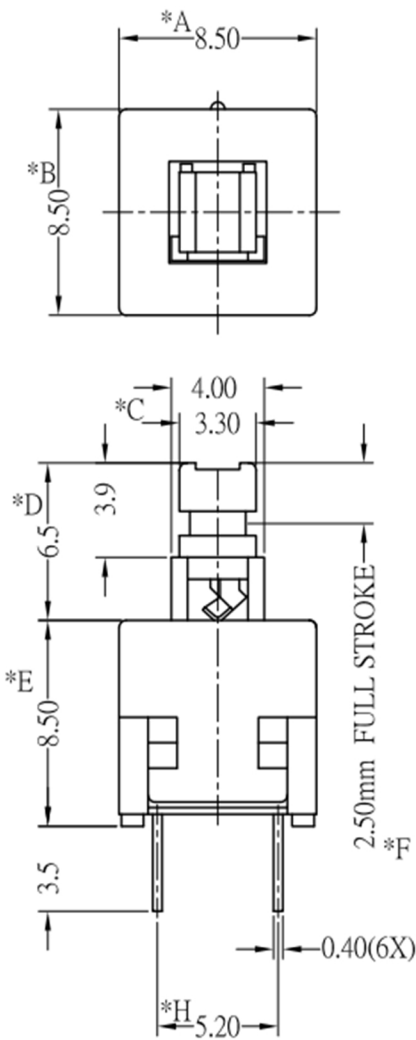


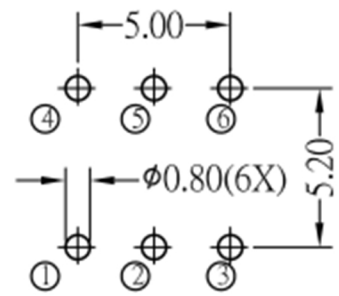
RoHS

CAD GENERATED DRAWING. DON'T CHANGE BY HAND.

REV.	ECN. NO.	APPD.



SCHMATIC



P.C.B.LAYOUT

* CRITICAL DIMENSION

7				
6	TERMINAL	6	C2680R-EH	Ag COATING
5	CASE	1	PBT	GREY
4	SPRING	1	SUS	NATURAL
3	COVER	1	POM	BLACK
2	CONTACT	2	C5210R-EH	Ag CLAD
1	KNOB	1	POM	WHITE/BLUE
NO.	PART NAME	Q' TY	MATERIAL	FINSH/COLOR

X.	± 0.50	X. °	± 2°
.X	± 0.30	.X °	± 1°
.XX	± 0.10	.XX °	± 0.5°
.XXX	± 0.05		
THESE DRAWINGS AND SPECIFICATIONS ARE THE PROPERTY OF YIYUAN TECHNOLOGY CO.,LTD AND SHALL NOT BE REPRODUCED, COPIED OR USED IN ANY MANNER WITHOUT THE PRIOR WRITTEN CONSENT OF YIYUAN TECHNOLOGY CO.,LTD			
UNITS	mm		
MAT'L	/		
FINISH	/		
Q' TY	/		

	深圳市怡远科技有限公司 SHENZHEN YIYUAN TECHNOLOGY CO., LTD								
	PART NO. YTSPS-22E85NL3		TITLE: TACTILE SWITCH						
APPD: ROGER	DWG NO. : YTSPS-22E85NL3								
CHKD: ROC	<table border="1"> <tr> <td>SCALE</td> <td>SHEET</td> <td>REV.</td> </tr> <tr> <td>1/1</td> <td>1/1</td> <td>A1</td> </tr> </table>			SCALE	SHEET	REV.	1/1	1/1	A1
SCALE	SHEET	REV.							
1/1	1/1	A1							
DR: BILLY WANG 2020/08/21									