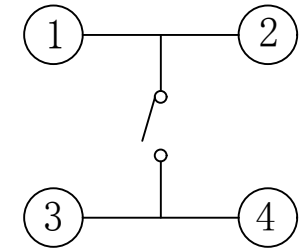
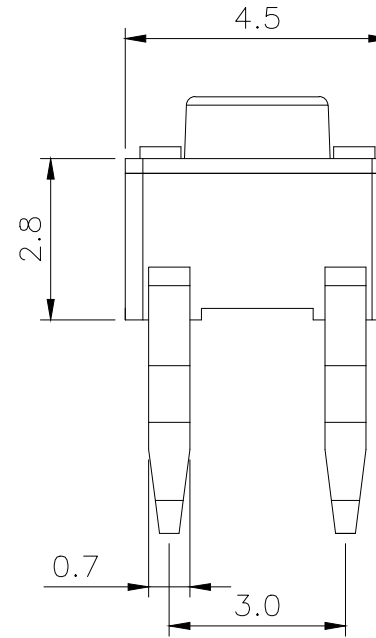
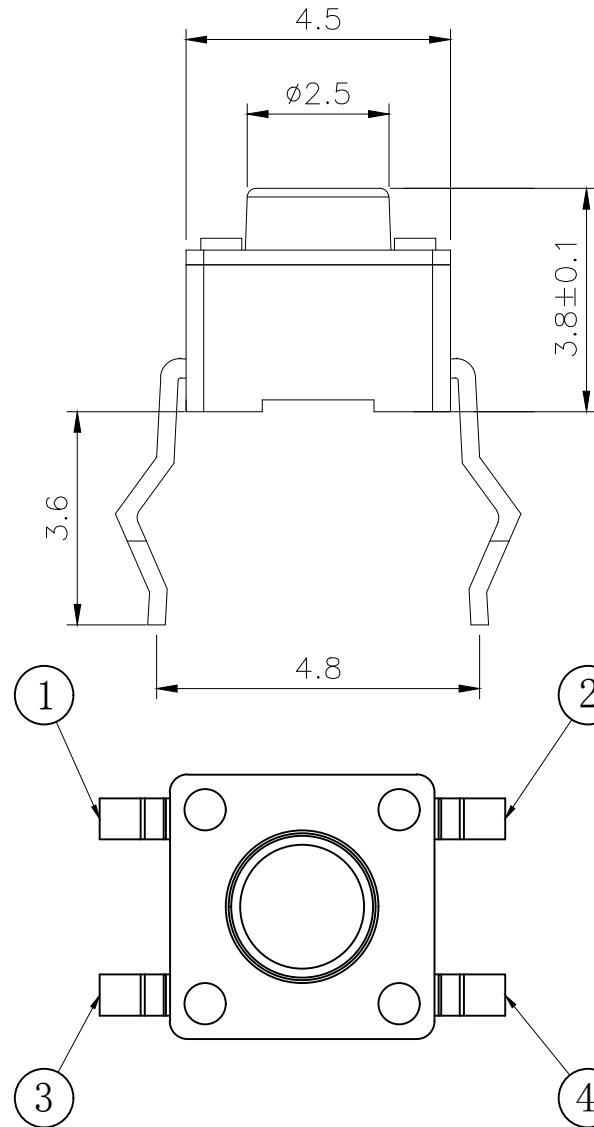
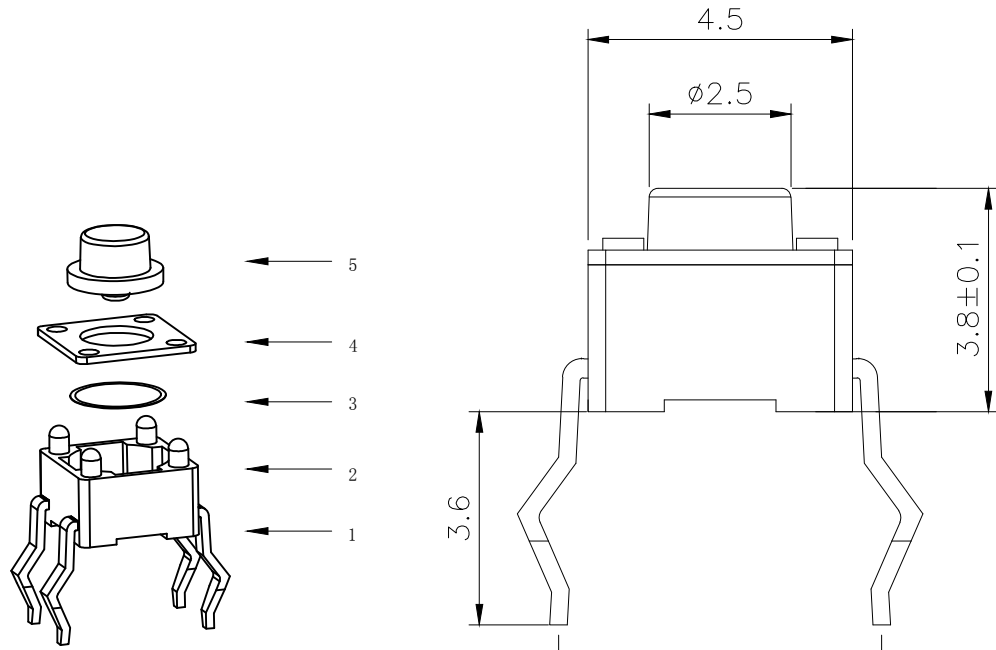


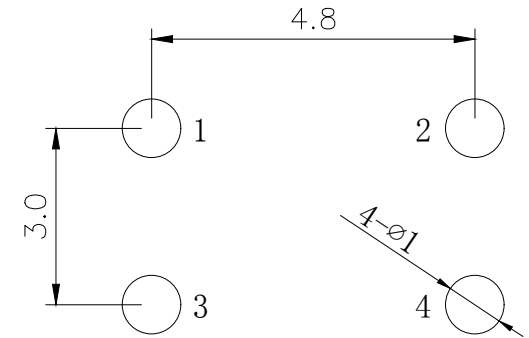
RoHS

CAD GENERATED DRAWING. DON'T CHANGE BY HAND.

REV.	ECN. NO.	APPD.



CIRCUIT DIAGRAM



PCB. WELDING DRAWING

Specification

Rate voltage.current	50mA DC12V
Contact resistance	$\leq 100m\Omega$
Operating force	160 \pm 50gf
Travel	0.20 \pm 0.10mm
Insulated resistance	$\geq 100M\Omega$
Dielectric strength	$\geq 250VAC/1min$
Life cycle	≥ 50000 次

ITEM	PART NAME	Q' TY	MATERIAL	FINSH/COLOR
5	Button	1	PPA	Black
4	Cover	1	Iron	Copper tin plating
3	Shrapnel	1	Stainless steel	Silver
2	Housing	1	PPA	Black
1	Cards	1	Brass	Silver

X.	± 0.50	X. °	$\pm 2^\circ$
.X	± 0.30	.X °	$\pm 1^\circ$
.XX	± 0.10	.XX °	$\pm 0.5^\circ$
.XXX	± 0.05		

UNITS	mm
MAT'L	/
FINISH	/
Q' TY	/

PART NO.	YTS-C016-1
APPD:	ROGER
CHKD:	ROC
DR:	BILLY WANG 2020/08/21

		深圳市怡远科技有限公司 SHENZHEN YIYUAN TECHNOLOGY CO.,LTD	
TITLE:		TACTILE SWITCH	
DWG NO.:		YTS-C016-1	
		SCALE	SHEET
		1/1	1/1
		REV.	A1

THESE DRAWINGS AND SPECIFICATIONS ARE THE PROPERTY OF YIYUAN TECHNOLOGY CO.,LTD AND SHALL NOT BE REPRODUCED, COPIED OR USED IN ANY MANNER WITHOUT THE PRIOR WRITTEN CONSENT OF YIYUAN TECHNOLOGY CO.,LTD