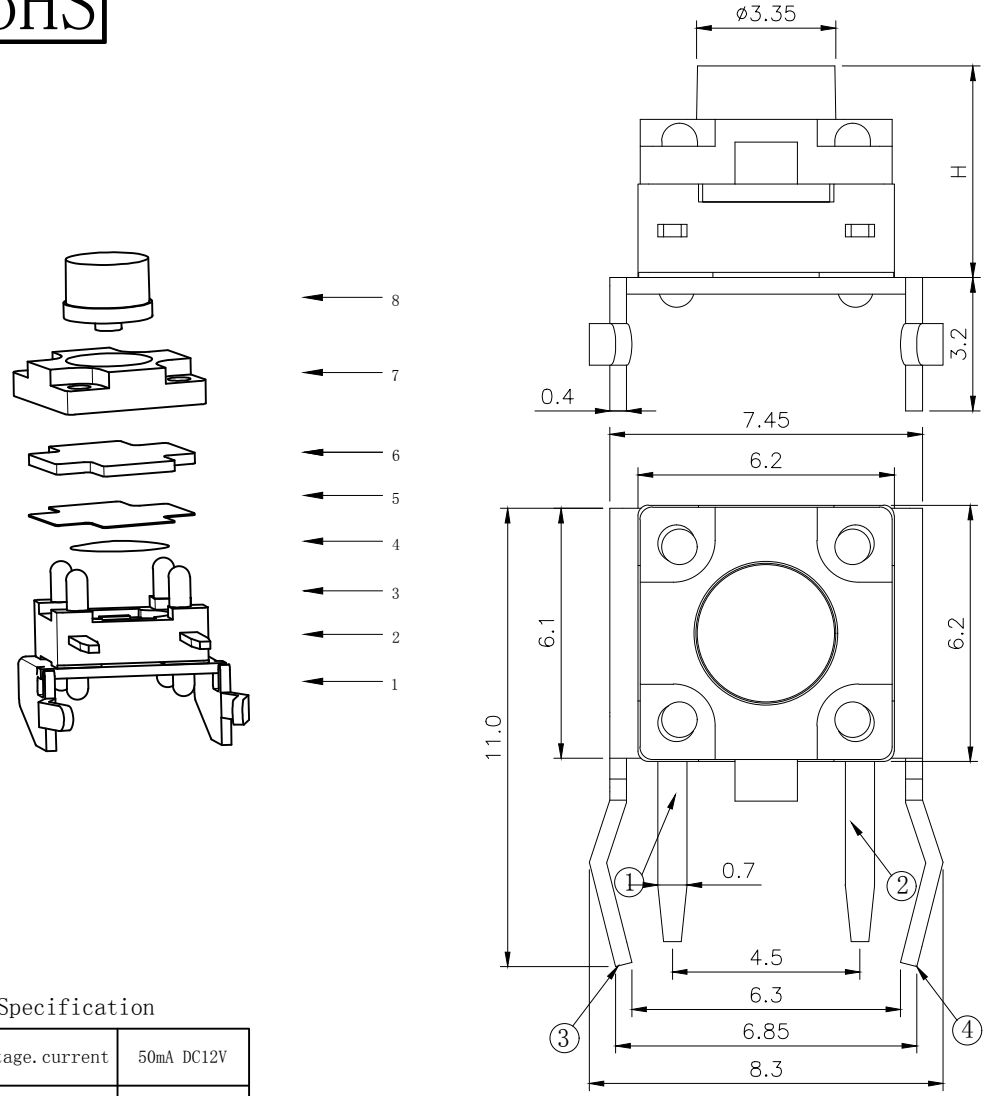


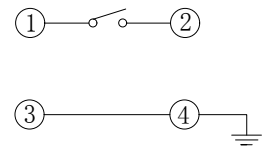
RoHS

CAD GENERATED DRAWING. DON'T CHANGE BY HAND.

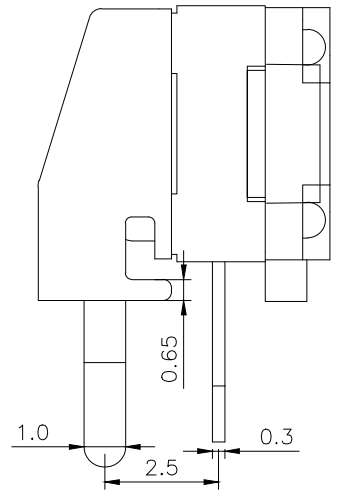
|      |          |       |
|------|----------|-------|
| REV. | ECN. NO. | APPD. |
|      |          |       |



| H |     |   |     |
|---|-----|---|-----|
| A | 4.3 | B | 5.0 |
| C | 5.5 | D | 6.0 |
| E | 6.5 | F | 7.0 |
| G | 7.5 | H | 8.0 |
| I | 8.5 | J | 9.0 |
| K | 9.5 |   |     |



CIRCUIT DIAGRAM



PCB. WELDING DRAWING

Specification

|                      |                    |
|----------------------|--------------------|
| Rate voltage,current | 50mA DC12V         |
| Contact resistance   | $\leq 100m\Omega$  |
| Operating force      | $160 \pm 50gf$     |
| Travel               | $0.30 \pm 0.15mm$  |
| Insulated resistance | $\geq 100M\Omega$  |
| Dielectric strength  | $\geq 250VAC/1min$ |
| Life cycle           | $\geq 30000$ 次     |

| ITEM | PART NAME        | Q' TY | MATERIAL        | FINSH/COLOR |
|------|------------------|-------|-----------------|-------------|
| 8    | Button           | 1     | PPA             | Black       |
| 7    | Cover            | 1     | PPA             | Black       |
| 6    | Waterproof layer | 1     | Silica gel      | Black       |
| 5    | Dust film        | 1     | Polyimide       | Orange      |
| 4    | Shrapnel         | 1     | Stainless steel | Silver      |
| 3    | Housing          | 1     | PPA             | Black       |
| 2    | Cards            | 1     | Brass           | Silver      |
| 1    | Bracket          | 1     | Iron            | Silver      |

THESE DRAWINGS AND SPECIFICATIONS ARE THE PROPERTY OF YIYUAN TECHNOLOGY CO.,LTD AND SHALL NOT BE REPRODUCED, COPIED OR USED IN ANY MANNER WITHOUT THE PRIOR WRITTEN CONSENT OF YIYUAN TECHNOLOGY CO.,LTD

|      |            |      |                 |        |    |
|------|------------|------|-----------------|--------|----|
| X.   | $\pm 0.50$ | X.°  | $\pm 2^\circ$   | UNITS  | mm |
| .X   | $\pm 0.30$ | .X°  | $\pm 1^\circ$   |        |    |
| .XX  | $\pm 0.10$ | .XX° | $\pm 0.5^\circ$ | MAT'L  | /  |
| .XXX | $\pm 0.05$ |      |                 |        |    |
|      |            |      |                 | FINISH | /  |
|      |            |      |                 |        |    |
|      |            |      |                 | Q' TY  | /  |

|                           |  |             |   |       |       |      |     |     |    |
|---------------------------|--|-------------|---|-------|-------|------|-----|-----|----|
|                           | 深圳市怡远科技有限公司<br>SHENZHEN YIYUAN TECHNOLOGY CO., LTD | PART NO.    | TITLE:  |       |       |      |     |     |    |
|                           |  | YTS-G008-1H | TACTILE SWITCH  |       |       |      |     |     |    |
| APPD: ROGER               | DWG NO.:<br>YTS-G008-1H                            | CHKD: ROC   | <table border="1"> <tr> <td>SCALE</td> <td>SHEET</td> <td>REV.</td> </tr> <tr> <td>1/1</td> <td>1/1</td> <td>A1</td> </tr> </table> | SCALE | SHEET | REV. | 1/1 | 1/1 | A1 |
| SCALE                     |  | SHEET       |   | REV.  |       |      |     |     |    |
| 1/1                       | 1/1  | A1          |   |       |       |      |     |     |    |
| DR: BILLY WANG 2020/08/21 |  |             |   |       |       |      |     |     |    |