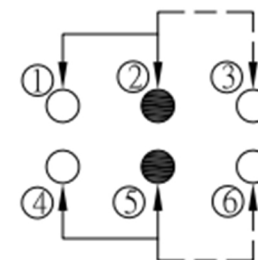
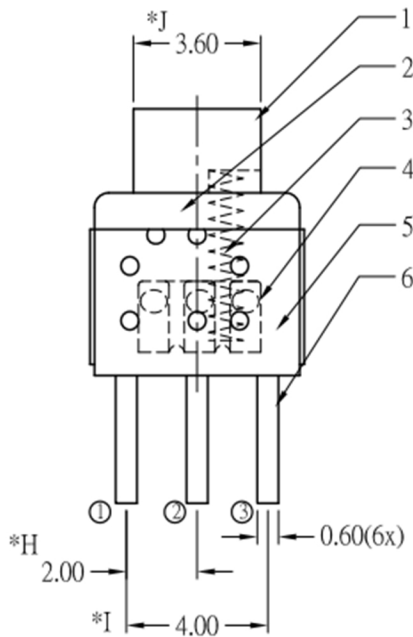
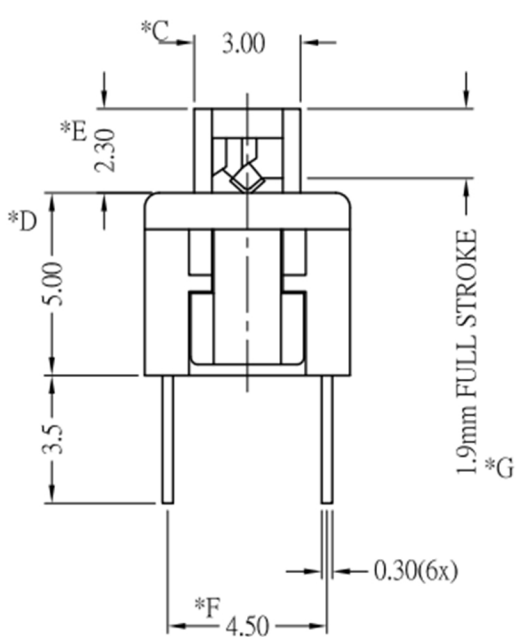
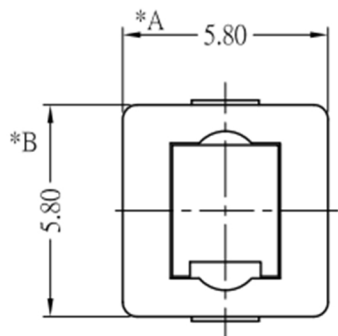


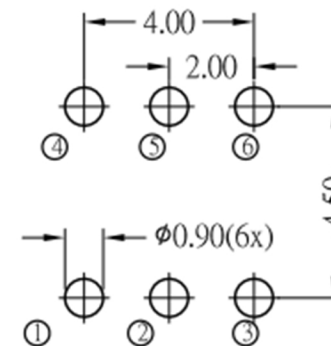
RoHS

CAD GENERATED DRAWING. DON'T CHANGE BY HAND.

REV.	ECN. NO.	APPD.



SCHMATIC



P.C.B.LAYOUT

* CRITICAL DIMENSION

7				
6	TERMINAL	6	C2680R-EH	Ag COATING
5	CASE	1	PA66	GREY
4	CONTACT	2	C2510R-EH	Ag CLAD
3	SPRING	1	SUS	NATURAL
2	COVER	1	POM	BLACK
1	KNOB	1	POM	WHITE
NO.	PART NAME	Q' TY	MATERIAL	FINSH/COLOR

X.	±0.50	X.°	± 2°
.X	±0.30	.X°	± 1°
.XX	±0.10	.XX°	± 0.5°
.XXX	± 0.05		

THESE DRAWINGS AND SPECIFICATIONS ARE THE PROPERTY OF YIYUAN TECHNOLOGY CO.,LTD AND SHALL NOT BE REPRODUCED, COPIED OR USED IN ANY MANNER WITHOUT THE PRIOR WRITTEN CONSENT OF YIYUAN TECHNOLOGY CO.,LTD

UNITS	mm
MAT'L	/
FINISH	/
Q' TY	/

	深圳市怡远科技有限公司 SHENZHEN YIYUAN TECHNOLOGY CO., LTD							
	PART NO. YTSPS-22E59N1	TITLE: TACTILE SWITCH						
APPD: ROGER	DWG NO. : YTSPS-22E59N1							
CHKD: ROC	<table border="1"> <tr> <td>SCALE</td> <td>SHEET</td> <td>REV.</td> </tr> <tr> <td>1/1</td> <td>1/1</td> <td>A1</td> </tr> </table>		SCALE	SHEET	REV.	1/1	1/1	A1
SCALE	SHEET	REV.						
1/1	1/1	A1						
DR: BILLY WANG 2020/08/21								