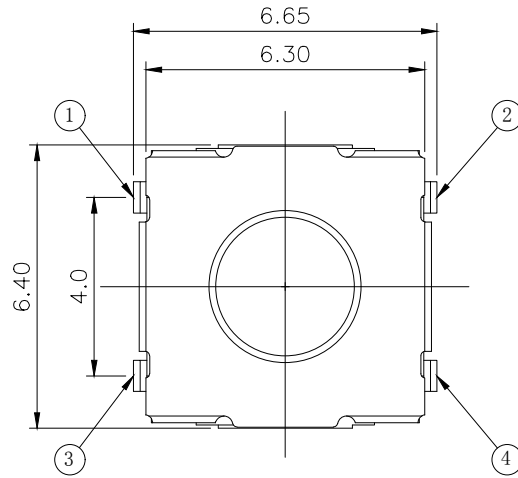
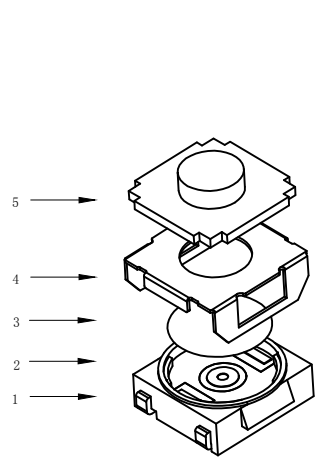


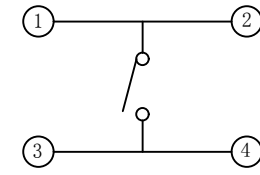
RoHS

CAD GENERATED DRAWING. DON'T CHANGE BY HAND.

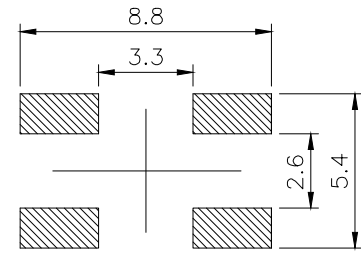
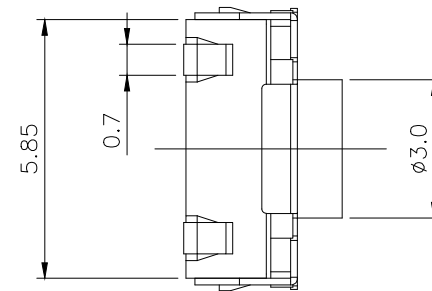
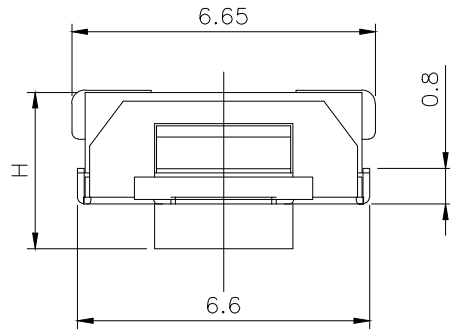
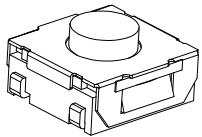
REV.	ECN. NO.	APPD.



H			
A	2.5	B	3.1
C	3.5	D	4.3
E	4.5	F	5.0



CIRCUIT DIAGRAM



PCB WELDING DRAWING

Specification

Rate voltage,current	50mA DC12V
Contact resistance	$\leq 100\text{m}\Omega$
Operating force	60 \pm 50gf
Travel	0.20 \pm 0.10mm
Insulated resistance	$\geq 100\text{M}\Omega$
Dielectric strength	$\geq 250\text{VAC}/1\text{min}$
Life cycle	≥ 100000 次

ITEM	PART NAME	Q' TY	MATERIAL	FINSH/COLOR
5	Button	1	Silica gel	Blue
4	Cover	1	Stainless steel	Cleaning
3	Shrapnel	1	Stainless steel	Silver
2	Housing	1	PPA	Black
1	Cards	1	Brass	Silver

X. ± 0.50	X. ° $\pm 2^\circ$	UNITS mm
.X ± 0.30	.X ° $\pm 1^\circ$	
.XX ± 0.10	.XX ° $\pm 0.5^\circ$	MAT'L
.XXX ± 0.05		FINISH
		Q' TY

深圳市怡远科技有限公司
SHENZHEN YIYUAN TECHNOLOGY CO.,LTD

PART NO. YTS-E005-1H	TITLE: TACTILE SWITCH						
APPD: ROGER	DWG NO. : YTS-E005-1H						
CHKD: ROC							
DR: BILLY WANG 2020/08/21	<table border="1" style="display: inline-table; margin-left: 10px;"> <tr> <td>SCALE</td> <td>SHEET</td> <td>REV.</td> </tr> <tr> <td>1/1</td> <td>1/1</td> <td>A1</td> </tr> </table>	SCALE	SHEET	REV.	1/1	1/1	A1
SCALE	SHEET	REV.					
1/1	1/1	A1					

THESE DRAWINGS AND SPECIFICATIONS ARE THE PROPERTY OF YIYUAN TECHNOLOGY CO.,LTD AND SHALL NOT BE REPRODUCED, COPIED OR USED IN ANY MANNER WITHOUT THE PRIOR WRITTEN CONSENT OF YIYUAN TECHNOLOGY CO.,LTD