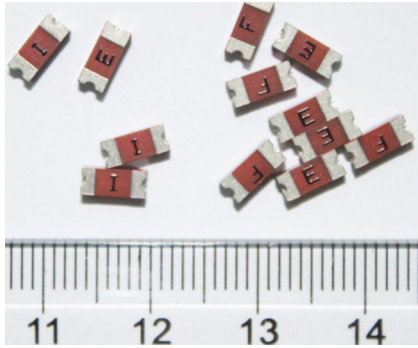


## AirMatrix® Surface Mount Fuses

### MF Series, 2410 Size



#### Features:

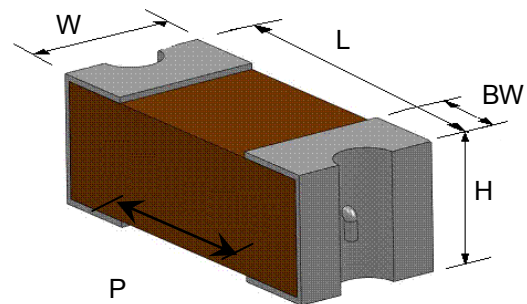
- Extremely small size with 250 VAC rating
- Surface mount fuses in AC applications
- Excellent inrush current withstanding capability
- Fiberglass enforced epoxy fuse body
- Copper termination with nickel and tin plating
- 100% lead-free
- Operating temperature range: -55°C to +125 °C (with de-rating)
- Compliant with IEC 60127-4

#### Application Fields:

- Lighting: Ballast, LED Drivers
- Power: Chargers, Adapters, Power Boards
- Medical Equipment
- Industrial Equipment
- White Goods

#### Shape and Dimensions:

	Inch	mm
L	0.240 ± 0.006	6.10 ± 0.15
W	0.098 ± 0.006	2.49 ± 0.15
H	0.085 ± 0.008	2.16 ± 0.20
BW	0.053 ± 0.015	1.35 ± 0.38
P	≥ 0.118	≥ 3.00



#### Clearing Time Characteristics:

% of Current Rating	Clearing Time at 25°C	
	Min.	Max.
125%	1 hour	
200%		120 seconds
1000%	0.001 seconds	0.01 seconds

#### Agency Approval:

Agency	File No.
UL	E232989
CQC	CQC11012065956
KC	SU05038-12001/12002
PSE	PSE12020434
VDE	40034853

#### Patents:

Patent numbers "ZL200810092353.3", "ZL200910007157.6", "ZL201120450579.3", "ZL201120536307.5", "ZL201220063222.4", "ZL201110123326.X".

## AirMatrix® Surface Mount Fuses

### MF Series, 2410 Size

#### Ordering Information:

Part Number	Current Rating (A)	Voltage Rating (VAC)	Interrupting Ratings	Nominal DCR ( $\Omega$ )	Voltage Drop Max. (mV)	Nominal $I^2t$ ( $A^2s$ )	Marking ( Black )
MF2410F0.500TM	0.50	250	100 A @ 250 VAC 50 A @ 125 VDC	0.206	166	0.11	C
MF2410F0.630TM	0.63	250		0.148	144	0.20	S
MF2410F0.800TM	0.80	250		0.109	139	0.35	H
MF2410F1.000TM	1.00	250		0.084	129	0.62	E
MF2410F1.250TM	1.25	250		0.065	128	1.00	F
MF2410F1.600TM	1.60	250		0.049	127	1.80	T
MF2410F2.000TM	2.00	250		0.038	123	3.00	I

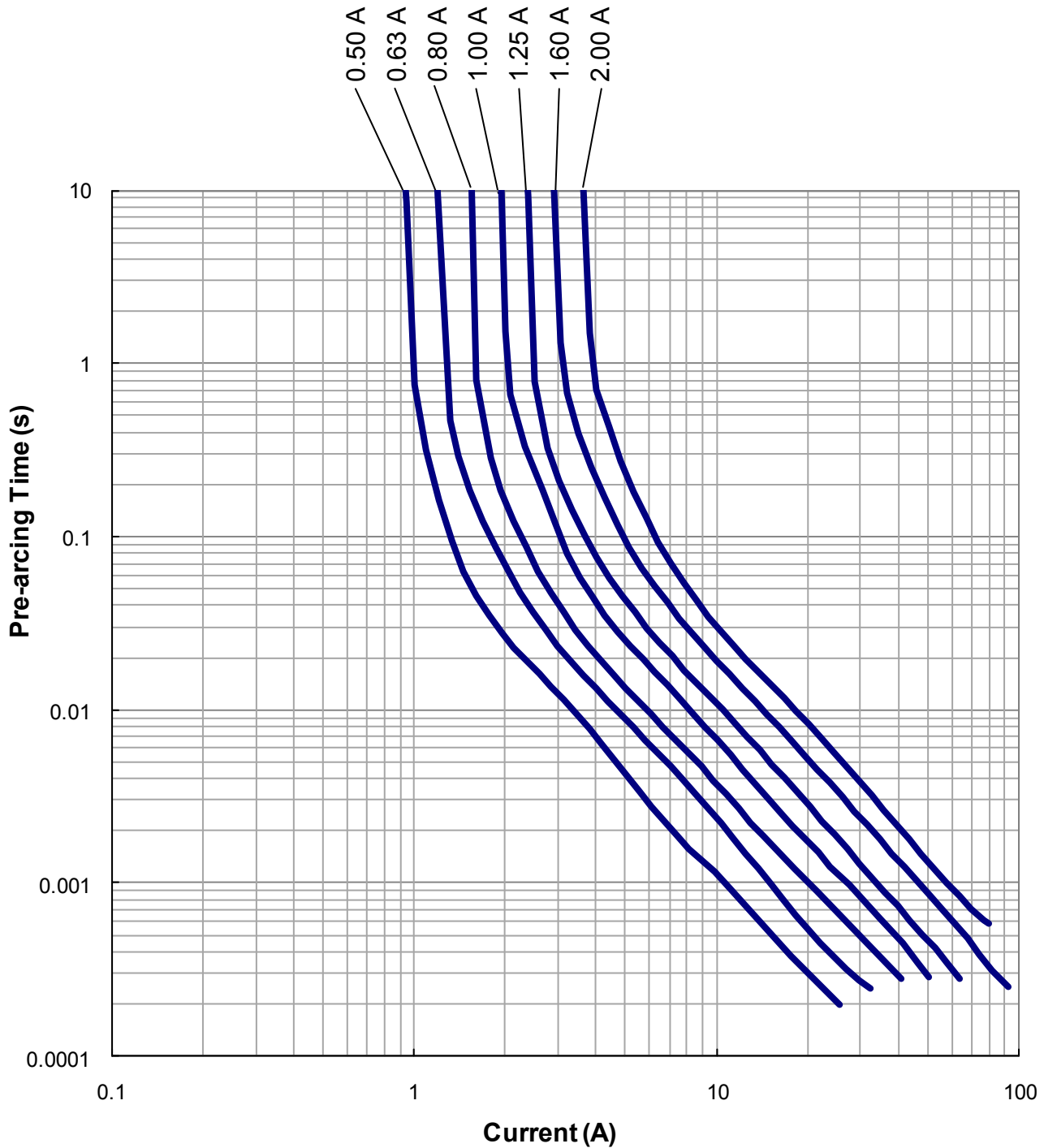
**Notes:**

- Resistance is measured at  $\leq 10\%$  of rated current and  $25^\circ\text{C}$  ambient.
- Voltage drop is measured at 100% of rated current.
- Melting  $I^2t$  is calculated at 0.001 second pre-arcing time.

# AirMatrix<sup>®</sup> Surface Mount Fuses

## MF Series, 2410 Size

### Average Pre-arcing Time Curves:



# AirMatrix<sup>®</sup> Surface Mount Fuses

## MF Series, 2410 Size

### Average $I^2t$ vs. $t$ Curves:

