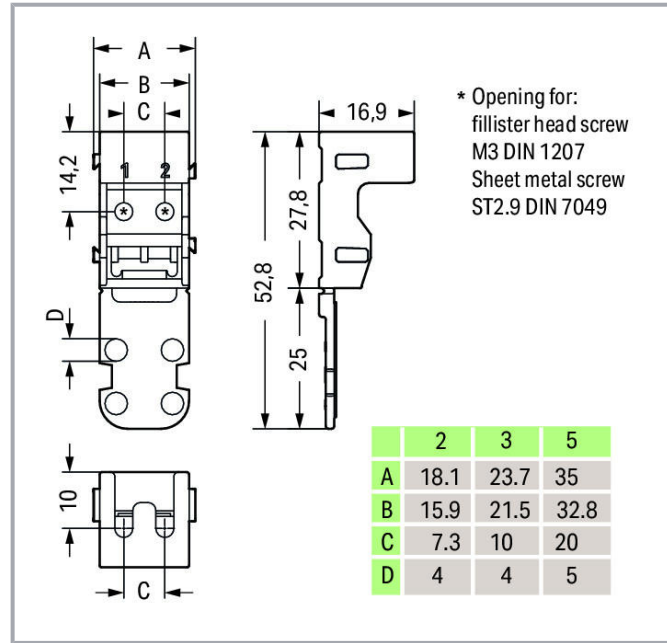
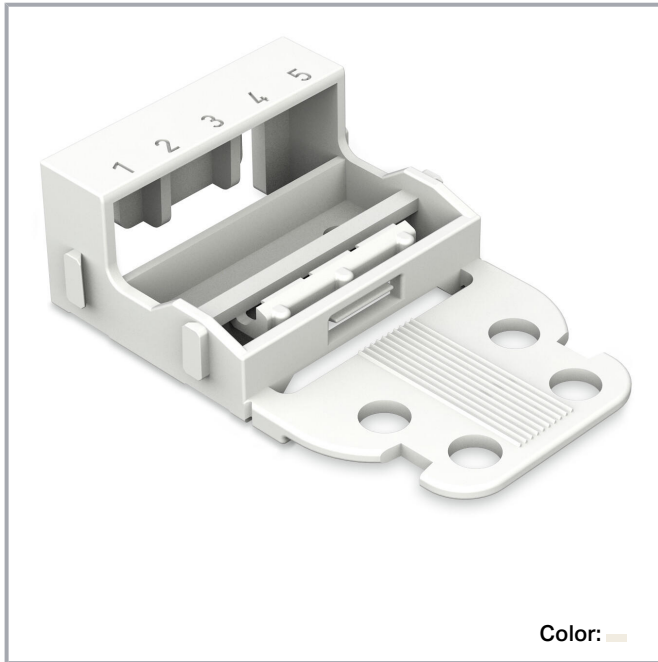


Data sheet | Item number: 221-505

Mounting carrier; for 5-conductor terminal blocks; 221 Series - 4 mm²; for screw mounting; white

www.wago.com/221-505



Data

Physical data

Width	35 mm / 1.378 inch
Height from the surface	16.9 mm / 0.665 inch
Depth	52.8 mm / 2.079 inch

Mechanical data

Mounting type	Screw mount
Suitable	for 5-wire connectors (4 mm ²)

Material data

Note on material data	Information on material data can be found here
Color	white
Insulation material	Polyamide (PA66)
Flammability class per UL94	V0

Subject to changes. Please also observe the further product documentation!

WAGO GmbH & Co. KG
Hansastr. 27
32423 Minden
Phone: +49571 887-0 | Fax: +49571 887-169
Email: info.de@wago.com | Web: www.wago.com

Do you have any questions about our products?
We are always happy to take your call at +49 (571) 887-44222.

Weight	4.8 g
--------	-------

Commercial data

eCl@ss 10.0	27-14-11-92
eCl@ss 9.0	27-14-11-92
ETIM 7.0	EC002848
ETIM 6.0	EC002848
PU (SPU)	50 (10) Stück
Packaging type	box
Country of origin	CN
GTIN	4055143640831
Customs tariff number	39269097900

Optional accessories

Marking accessories

Marking strip



Item no.: 210-833

Marking strips; 25 m on roll; 6 mm wide; plain; Self-adhesive; white

www.wago.com/210-833

Downloads

Documentation

Bid Text

221-505 X81 - Datei	2019年2月19日	xml 2.8 kB	Download
221-505 doc - Datei	2018年1月4日	doc 24.6 kB	Download

Additional Information

Technical Section Technical explanations	pdf 2.2 MB	Download
---	---------------	----------

CAD/CAE-Data

CAE data

ZUKEN Portal 221-505	URL	Download
----------------------	-----	----------

Subject to changes. Please also observe the further product documentation!

WAGO GmbH & Co. KG
 Hansastr. 27
 32423 Minden
 Phone: +49571 887-0 | Fax: +49571 887-169
 Email: info.de@wago.com | Web: www.wago.com

Do you have any questions about our products?
 We are always happy to take your call at +49 (571) 887-44222.

CAD data

2D/3D Models 221-505

[URL](#)

[Download](#)

Environmental Product Compliance

Compliance Search

Environmental Product Compliance 221-505

[URL](#)

[Download](#)

Mounting carrier; for 5-conductor terminal blocks; 221 Series - 4 mm²; for screw mounting; white

Installation Notes

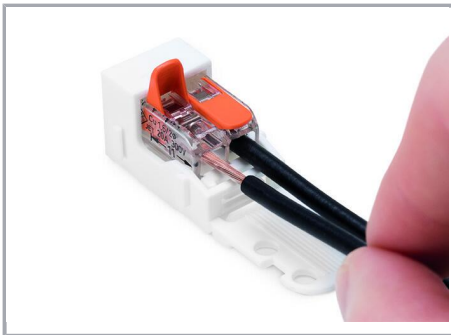


Inserting a connector into the mounting carrier.



Removing a connector from the mounting carrier.

Conductor termination



Inserting a conductor.

Subject to changes. Please also observe the further product documentation!

WAGO GmbH & Co. KG

Hansastr. 27

32423 Minden

Phone: +49571 887-0 | Fax: +49571 887-169

Email: info.de@wago.com | Web: www.wago.com

Do you have any questions about our products?

We are always happy to take your call at +49 (571) 887-44222.



Horizontal screw mounting



Vertical screw mounting



Horizontal mounting via snap-in foot

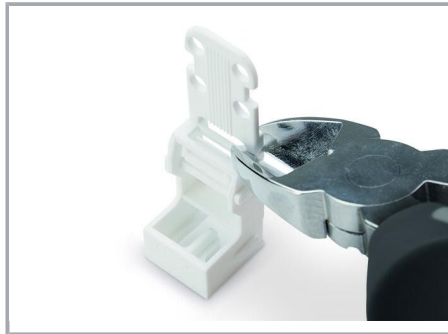


Vertical mounting via snap-in foot

Strain relief



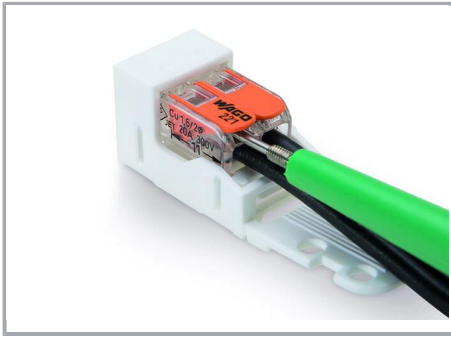
Use a cable tie to secure the conductors to the strain relief plate.



The strain relief plate can be removed.

Testing

Subject to changes. Please also observe the further product documentation!



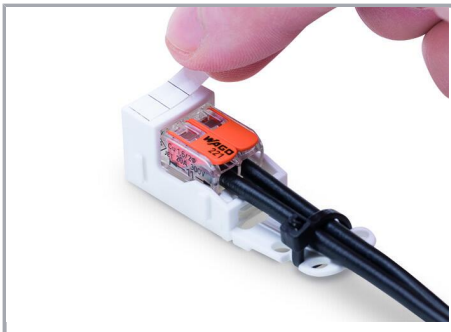
Testing a connector mounted on the carrier via test slot.

Application



Connecting a light to the mains.

Marking



Labeling the mounting carrier.

Subject to changes. Please also observe the further product documentation!