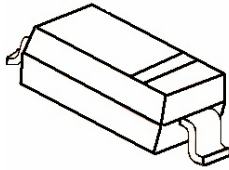


**SOD-123**



**Marking:** B0520W: SD  
 B0530W: SE  
 B0540W: SF

**Features**

- High Current Capability
- Low Forward Voltage Drop

**Mechanical Data**

- SOD-123 Small Outline Plastic Package
- Polarity: Color band denotes cathode end
- Epoxy UL: 94V-0
- Mounting Position: Any

**Maximum Ratings & Thermal Characteristics**

(Ratings at 25°C ambient temperature unless otherwise specified.)

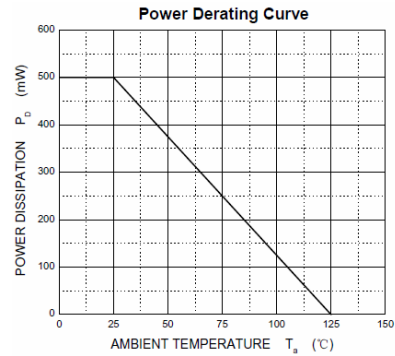
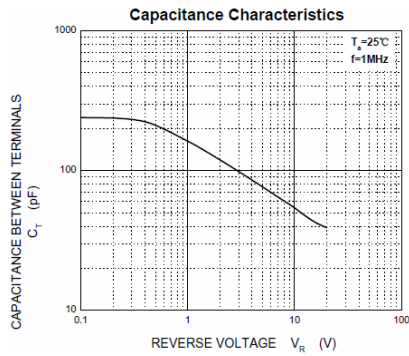
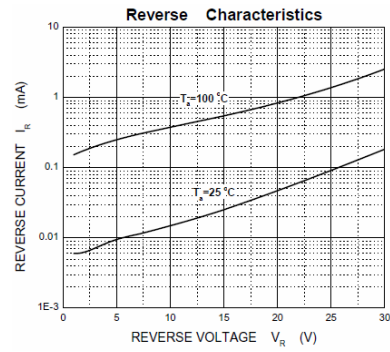
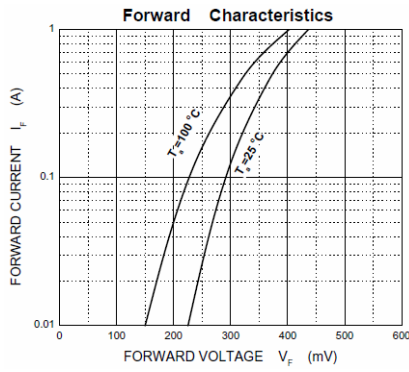
Parameters	Symbol	B0520W	B0530W	B0540W	Unit
Maximum repetitive peak reverse voltage	VRRM	20	30	40	V
Maximum RMS voltage	VRMS	14	21	28	V
Maximum DC blocking voltage	VDC	20	30	40	V
Maximum average forward rectified current	IFM	0.5			A
Peak forward surge current 8.3 ms single half sine-wave	IFSM	5.5			A
Typical thermal resistance	RθJA	200			°C/W
Power Dissipation	PD	500			mW
Storage temperature range	TSTG	-50-+150			°C
Voltage rate of change	Dv/dt	1000			V/uS

**Electrical Characteristics**

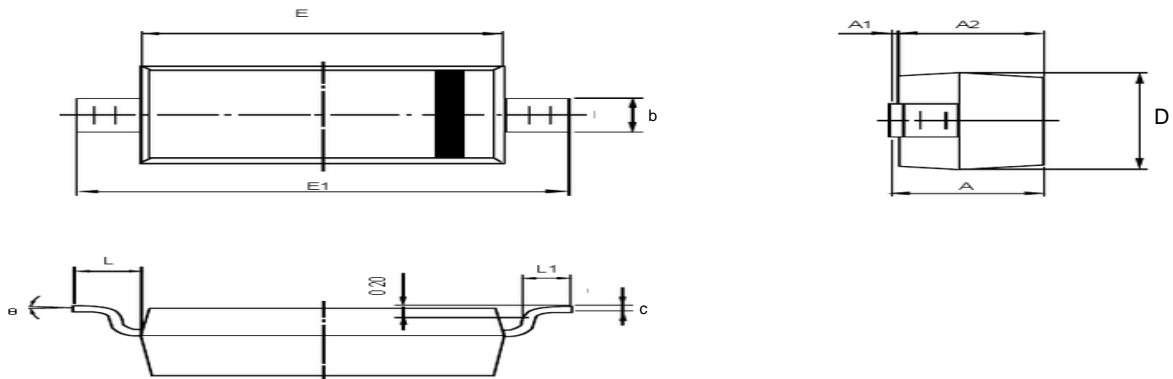
(Ratings at 25°C ambient temperature unless otherwise specified).

Parameters	Symbol	Test conditions	B0520W	B0530W	B0540W	Unit
Maximum forward voltage	VF	IF = 0.1A	0.330	0.375	---	V
		IF = 0.5A	0.385	0.430	0.510	
		IF = 1.0A	---	---	0.620	
Maximum reverse breakdown voltage	VR	IR=250uA	20	---	---	V
		IR=200uA	---	30	---	
		IR=20.0uA	---	---	40	
Maximum reverse current	IR	VR=10V	75	---	---	uA
		VR=15V	---	20	---	
		VR=20V	250	---	10	
		VR=30V	---	130	---	
Capacitance between terminals	CT	VR = 0V, f = 1MHz	---	---	20	pF
					170	

Characteristic Curves



SOD-123 PACKAGE OUTLINE Plastic surface mounted package



Symbol	Dimensions In Millimeters		Dimensions In Inches	
	Min	Max	Min	Max
A	1.050	1.250	0.041	0.049
A1	0.000	0.100	0.000	0.004
A2	1.050	1.150	0.041	0.045
b	0.450	0.650	0.018	0.026
c	0.080	0.150	0.003	0.006
D	1.500	1.700	0.059	0.067
E	2.600	2.800	0.102	0.110
E1	3.550	3.850	0.140	0.152
L	0.500REF		0.020REF	
L1	0.250	0.450	0.010	0.018
$\theta$	0°	8°	0°	8°