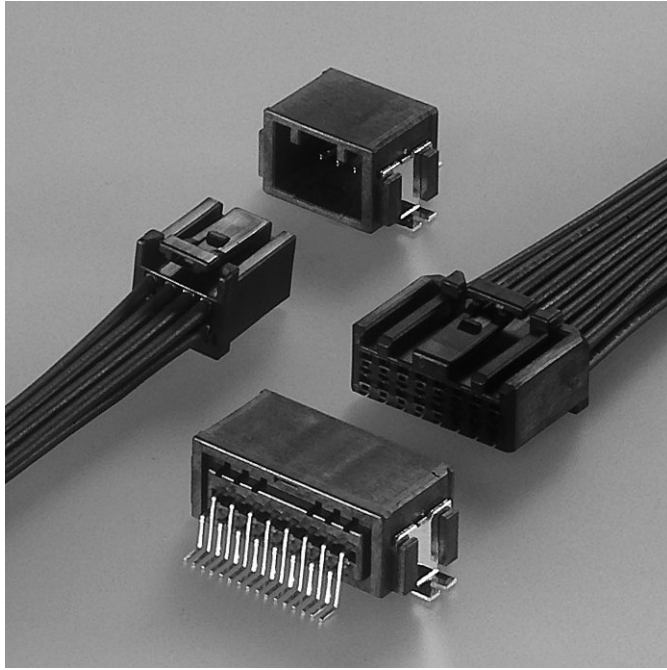


CPT CONNECTOR

Board-to-wire



Features

● Compact design

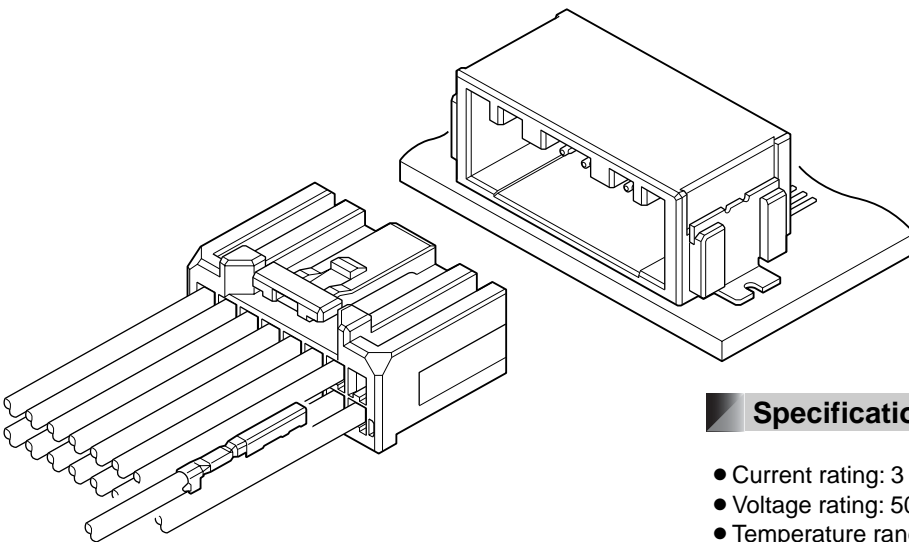
2.0mm pitch is realized miniaturization and low profile as the connector for automobile.

● Terminal construction

Female terminal is designed for simple box structure by having spring structure on male terminal.

Developed in pursuit of miniaturization and low profile as PC board connector for automobile.

This connector is surface mounting type connector having the spring structure on male terminal disproving the conventional concept.

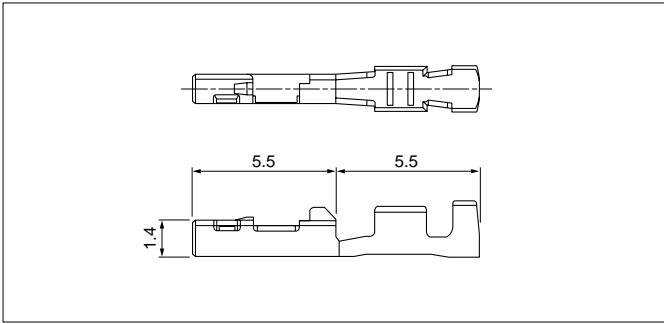


Specifications

- Current rating: 3 A AC, DC (0.3mm², Single circuit)
- Voltage rating: 50 V AC, DC
- Temperature range: -40°C to +100°C
(including temperature rise in applying electrical current)
- Contact resistance: Initial value/ 8 mΩ max.
After environmental tests/ 16 mΩ max.
- Insulation resistance: 100 MΩ min.
- Withstanding voltage: 1,000 VAC/minute
- Applicable wire: AESX-f/ AVSS
0.3 mm²

- * Compliant with ELV/RoHS.
- * Contact JST for details.

Female terminal



| Model No. | Applicable wire range | | Q'ty/reel |
|------------------------|------------------------------|----------------------|-----------|
| | Conductor (mm ²) | Insulation O.D. (mm) | |
| SCPT-A021GF-0.5 | 0.3 | 1.4 | 15,000 |

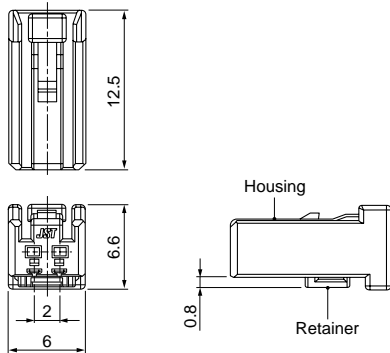
Material and Finish

Brass, nickel-undercoated, Contact area; gold-plated
Barrel area; tin-plated

Female connector

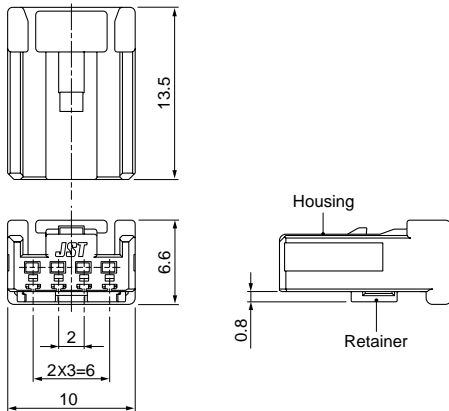
Single row

• 2 circuits

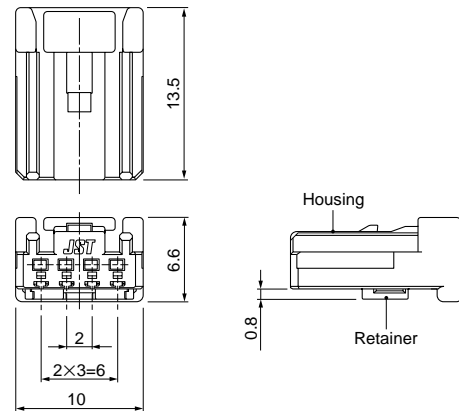


• 4 circuits

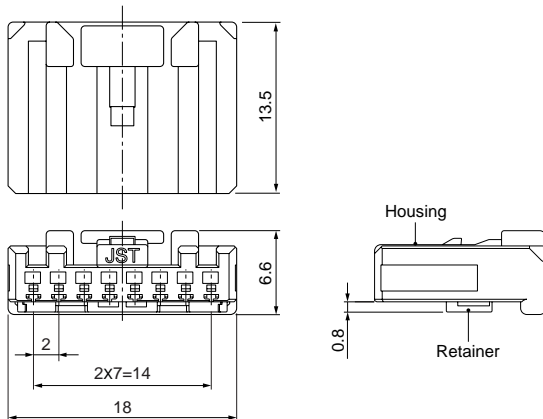
04CPT-B1-2A



04CPT-B1-2B



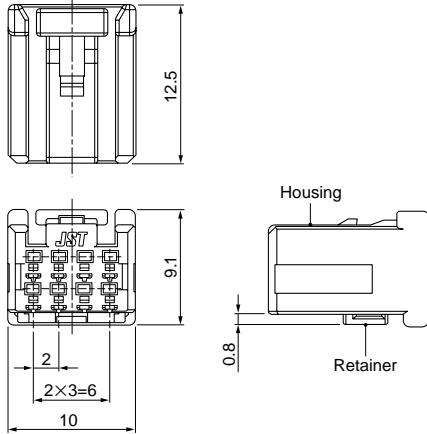
• 8 circuits



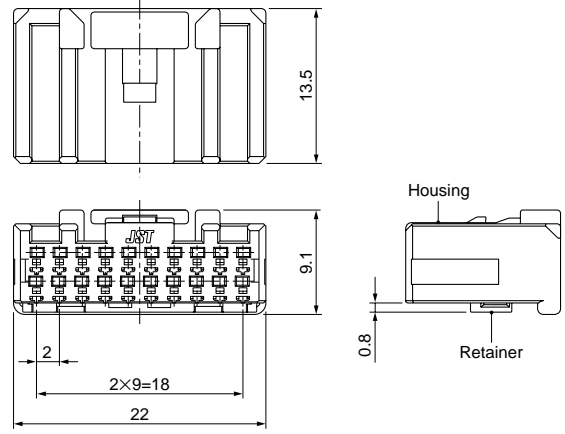
Female connector

Double row

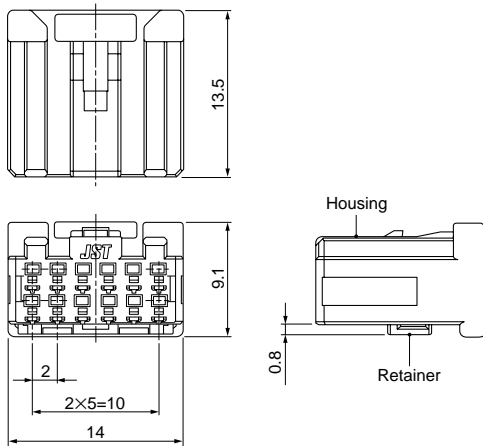
• 8 circuits



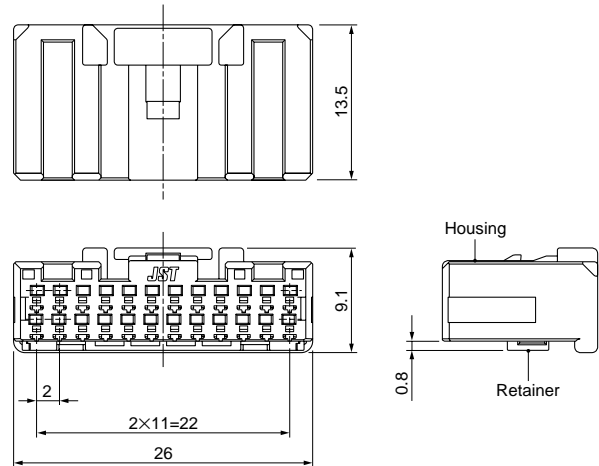
• 20 circuits



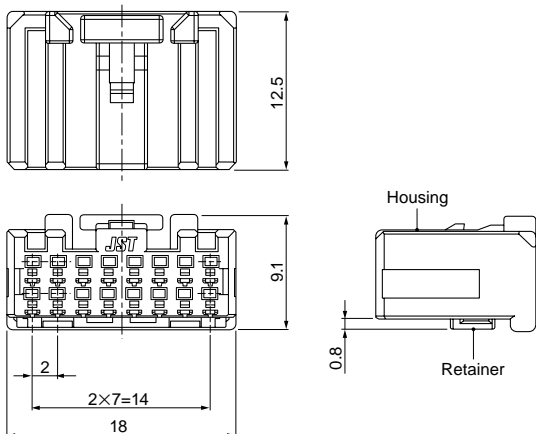
• 12 circuits



• 24 circuits



• 16 circuits



| Type | Circuits | Model No. | Q'ty/box |
|------------|----------|--------------------|----------|
| Single row | 2 | 02CPT-B-2A | 500 |
| | 4 | 04CPT-B1-2A | 600 |
| | | 04CPT-B1-2B | |
| Double row | 8 | 08CPT-B1-2A | 400 |
| | 8 | 08CPT-B-2A | 500 |
| | 12 | 12CPT-B-2A | 300 |
| | 16 | 16CPT-B-2A | 250 |
| | 20 | 20CPT-B-2A | 250 |
| | 24 | 24CPT-B-2A | 200 |

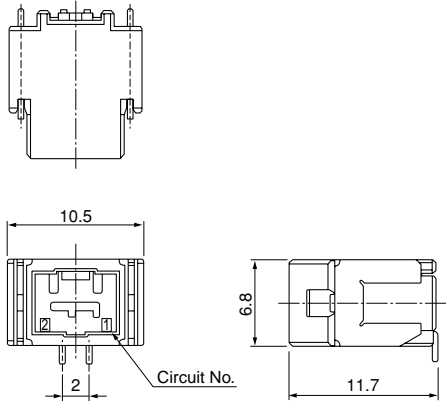
Material

Housing: Glass-filled PBT, black
 Retainer: Glass-filled PBT, blue

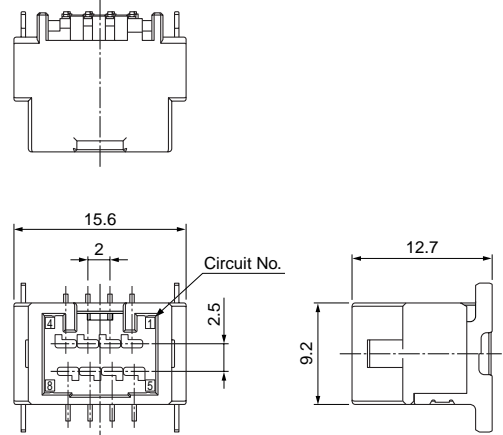
Male connector

Top entry type

Single row
● 2 circuits

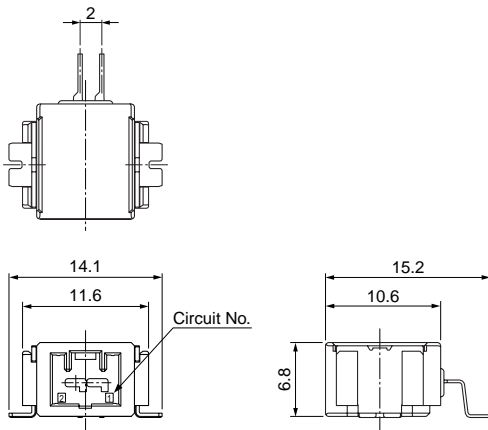


Double row
● 8 circuits



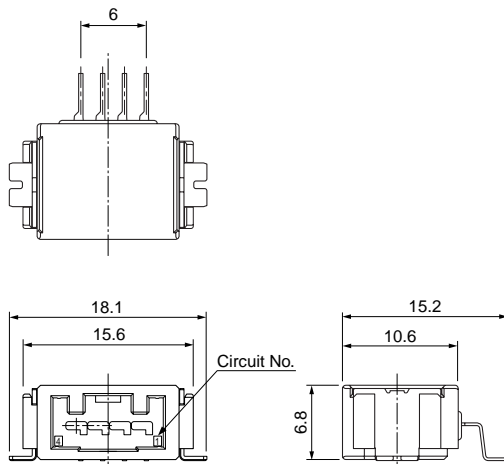
Side entry type

Single row
● 2 circuits

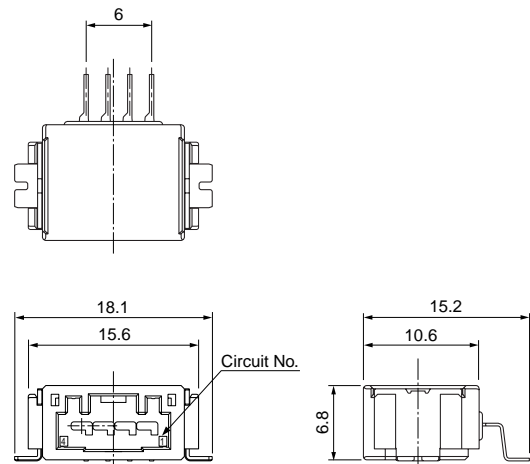


● 4 circuits

SM04B1-CPTK-1A-TB



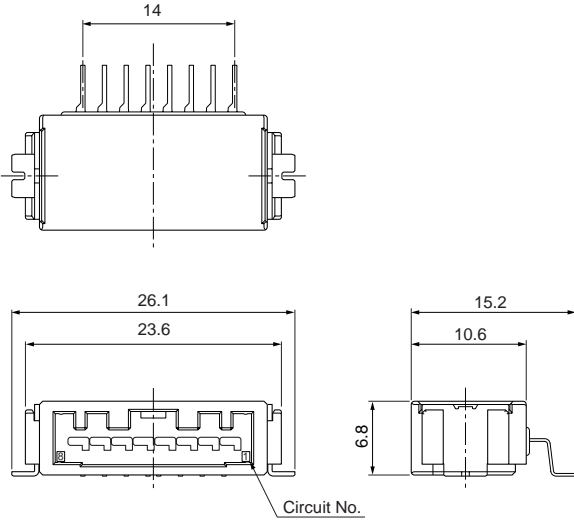
SM04B1-CPTK-1B-TB



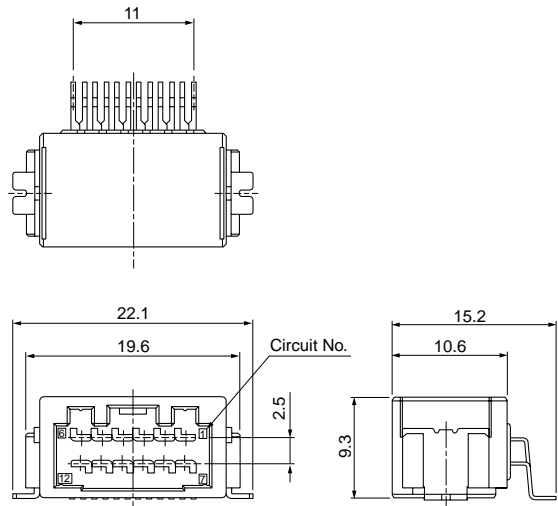
Male connector

Side entry type Single row

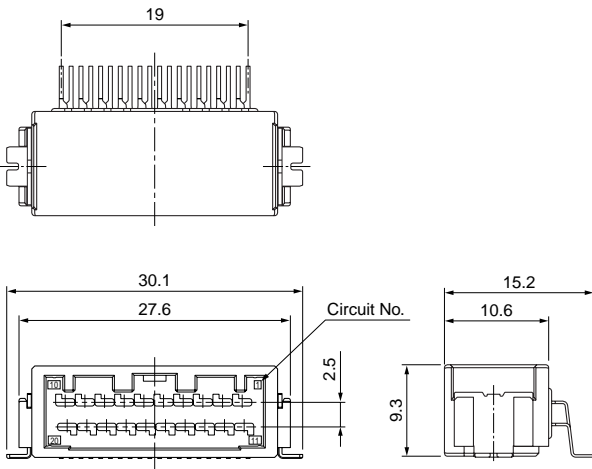
• 8 circuits



• 12 circuits



• 20 circuits

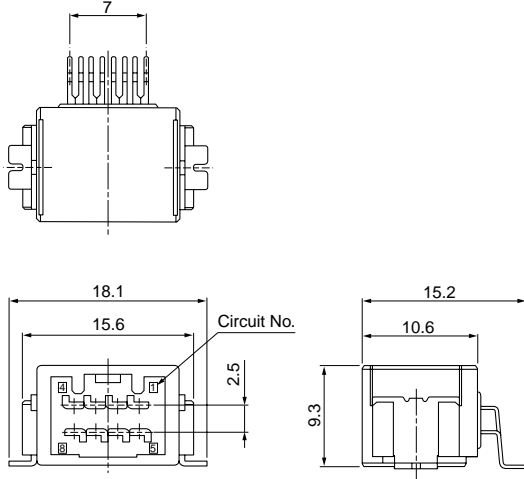


Male connector

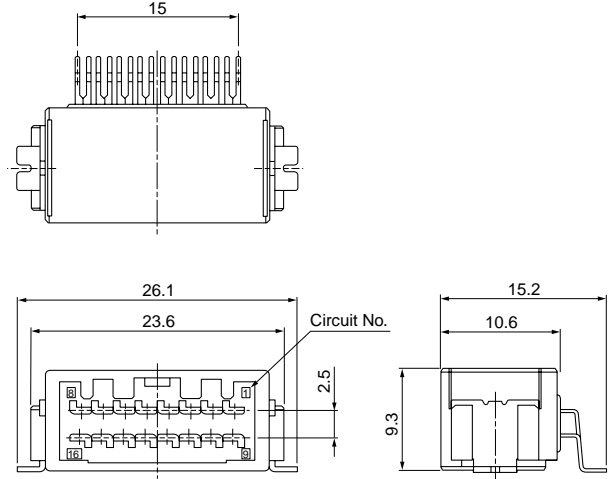
Side entry type

Double row

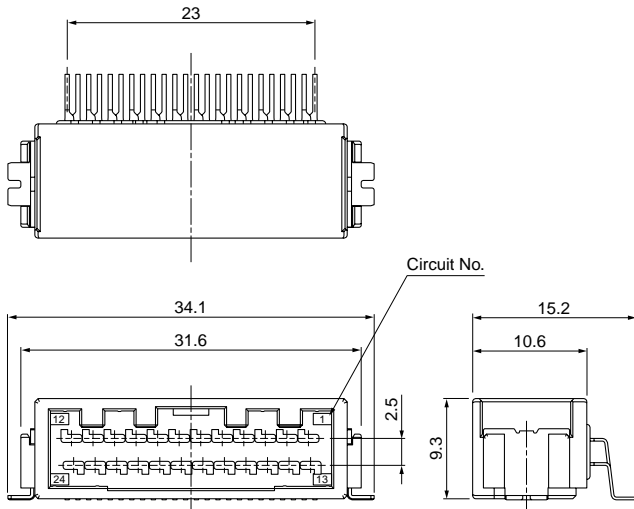
● 8 circuits



● 16 circuits



● 24 circuits



| Type | Circuits | Model No. | Q'ty/reel |
|-------------|-------------------------|--------------------------|-----------|
| Top type | 2 (Single) | BM02B-CPTK-1A-TB | 370 |
| | 8 (Double) | BM08B-CPTK-1A-TB | 240 |
| Side type | 2 (Single) | SM02B-CPTK-1A-TB | 500 |
| | 4 (Single) | SM04B1-CPTK-1A-TB | 500 |
| | | SM04B1-CPTK-1B-TB | |
| | 8 (Single) | SM08B1-CPTK-1A-TB | 500 |
| | 8 (Double) | SM08B-CPTK-1A-TB | 390 |
| | 12 (Double) | SM12B-CPTK-1A-TB | 390 |
| | 16 (Double) | SM16B-CPTK-1A-TB | 390 |
| | 20 (Double) | SM20B-CPTK-1A-TB | 390 |
| 24 (Double) | SM24B-CPTK-1A-TB | 390 | |

Material and Finish

Terminal: Copper alloy, nickel-undercoated,
Contact area; gold-plated
Solder tail; tin-plated (reflow treatment)

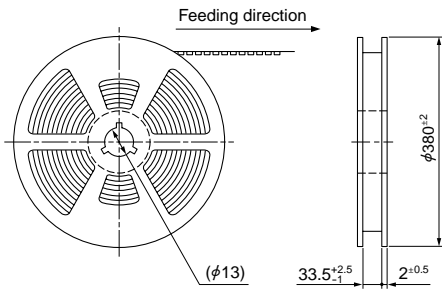
Housing: Glass-filled LCP, black

Peg: Brass, nickel-undercoated, tin-plated (reflow treatment)

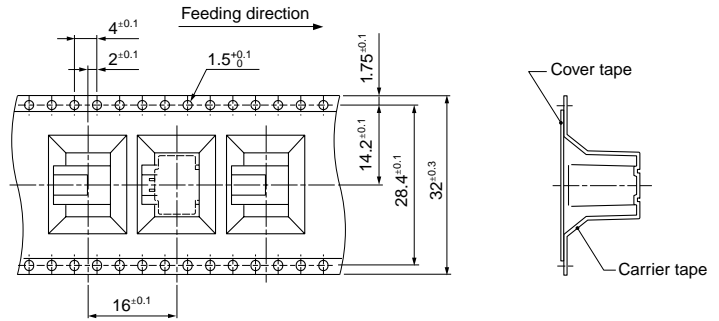
Taping Specifications

Top entry type

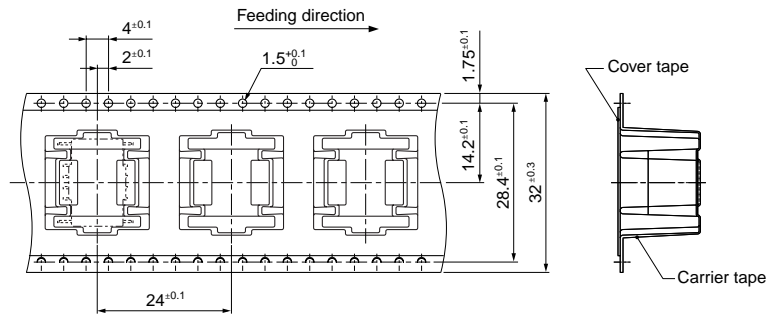
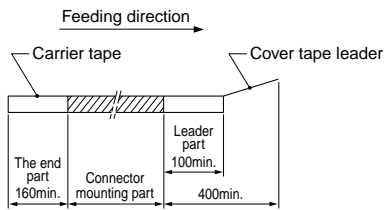
● 2, 8 circuits



● 2 circuits

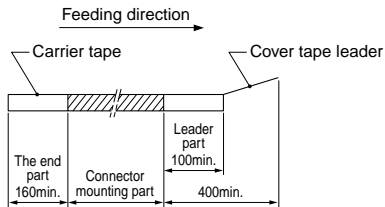
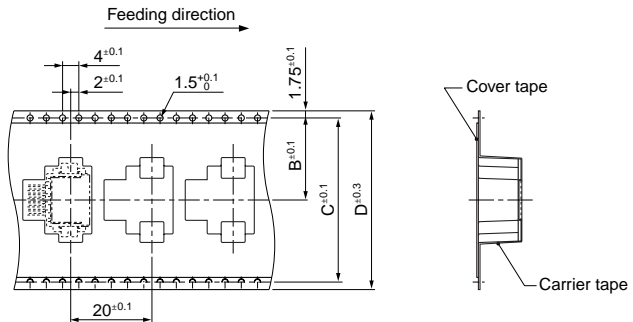
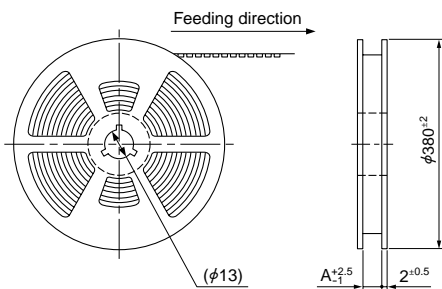


● 8 circuits



Side entry type

● 2, 4, 8, 12, 16, 20, 24 circuits

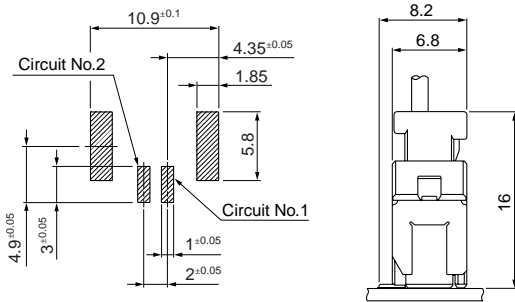


| Type | Circuits | A | B | C | D |
|--------|----------|------|------|------|----|
| Single | 2 | 33.5 | 14.2 | 28.4 | 32 |
| | 4 | 33.5 | 14.2 | 28.4 | 32 |
| | 8 | 45.5 | 20.2 | 40.4 | 44 |
| Double | 8 | 45.5 | 20.2 | 40.4 | 44 |
| | 12 | 45.5 | 20.2 | 40.4 | 44 |
| | 16 | 45.5 | 20.2 | 40.4 | 44 |
| | 20 | 45.5 | 20.2 | 40.4 | 44 |
| | 24 | 57.5 | 26.2 | 52.4 | 56 |

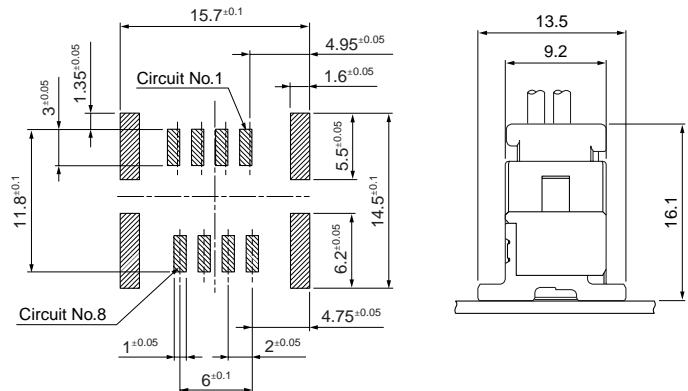
PC board layout, Assembly layout

Top entry type

● 2 circuits

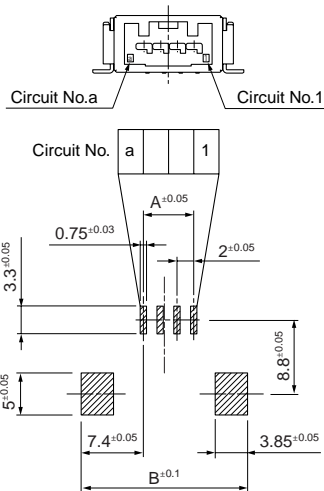


● 8 circuits



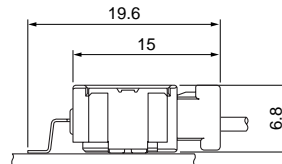
Side entry type

● 2, 4, 8 (Single) circuits

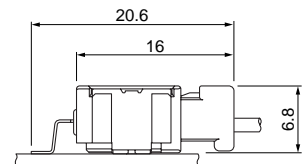


| Circuits | A | B |
|------------|----|------|
| 2 | 2 | 15.8 |
| 4 | 6 | 19.8 |
| 8 (Single) | 14 | 27.8 |

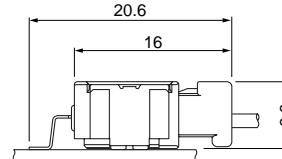
● 2 circuits



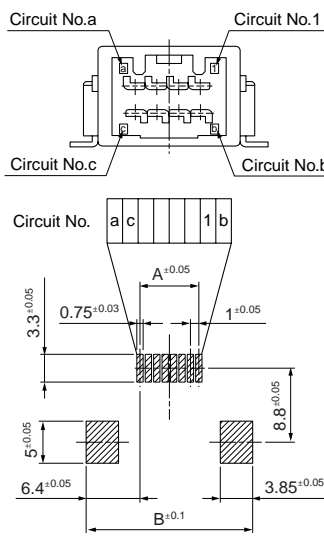
● 4 circuits



● 8 (Single) circuits

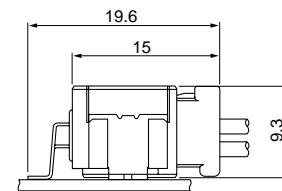


● 8 (Double), 12, 16, 20, 24 circuits

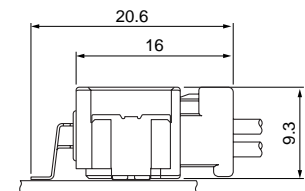


| Circuits | A | B |
|------------|----|------|
| 8 (Double) | 7 | 19.8 |
| 12 | 11 | 23.8 |
| 16 | 15 | 27.8 |
| 20 | 19 | 31.8 |
| 24 | 23 | 35.8 |

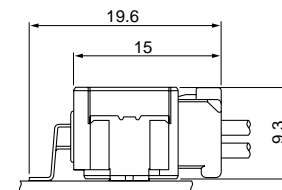
● 8 (Double) circuits



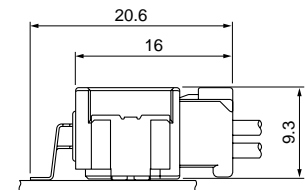
● 12 circuits



● 16 circuits



● 20, 24 circuits



Note: 1. Tolerances are non-cumulative: ±0.05mm for all centers.

2. The dimensions above should serve as guideline. Contact JST for details.

Crimping machine, Applicator

| Strip terminal | Crimping machine | Crimp applicator MKS-L | |
|-----------------|------------------|------------------------|----------------------------|
| | | Dies | Crimp applicator with dies |
| SCPT-A021GF-0.5 | AP-K2N | MK/SCPT-A021-05 | APLMK SCPT-A021-05 |

Note: When crimping operation is conducted using an applicator and die set other than the above, JST cannot guarantee the performance of the terminal.

Mouser Electronics

Authorized Distributor

Click to View Pricing, Inventory, Delivery & Lifecycle Information:

JST:

[02CPT-B-2A](#) [BM08B-CPTK-1A-TB](#) [SM02B-CPTK-1A-TB](#) [SM12B-CPTK-1A-TBL](#) [SM08B-CPTK-1A-TBL](#) [04CPT-B1-2A](#) [16CPT-B-2A](#) [BM02B-CPTK-1A-TB](#) [SM16B-CPTK-1A-TBL](#) [20CPT-B-2A](#) [12CPT-B-2A](#) [SM04B1-CPTK-1A-TB](#) [SM20B-CPTK-1A-TBL](#) [08CPT-B-2A](#) [SCPT-A021GF-0.5](#) [24CPT-B-2A](#) [SM24B-CPTK-1A-TB\(L\)](#)