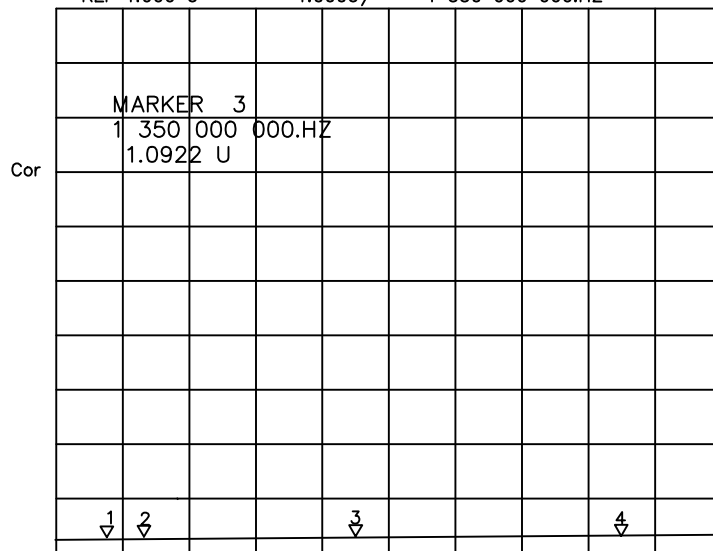


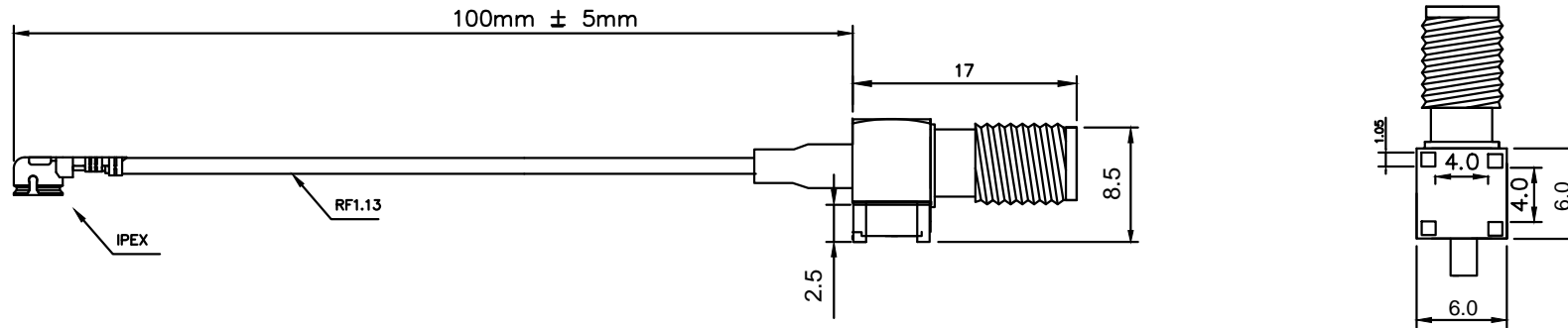
CH1 A/R SWR MKR 3: 1.0922 U
REF 1.000 U 1.000U/ 1 350 000 000.HZ



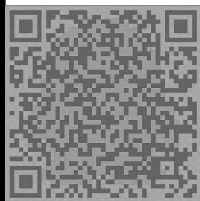
CH1 START 000 000 000.HZ STOP 3 000 000 000.HZ

MAIN TECHNICAL SPECIFICATIONS

model	Type	KH-IPEX-SMAKWE
FREQUENCY RANGE		0-3G
INPUT IMPEDANCE		50 OHM
VSWR		1:1.2
GAIN		----
POLARIZATION FORM		----
RADIATION		----
MAXIMUM POWER		----
CABLE		RF1.13-100MM
MAX DIAMETER		13.6mm
MIN DIAMETER		1.13mm
CONNECTOR TYPE		IPEX -- SMAKWE
LIGHTING PROTECTION		DC GROUNDING



深圳市金航标电子有限公司



技术详询

DWN BY/DATE JIANG 2015-03-25	DESG BY/DATE	TOLERANCE .X± .XX± .XXX± ANGLES±	SCALE 1 : 1		ENG PROJECT NO. KH 150325-0025	TITLE 型号 KH-IPEX-SMAKWE
CHK BY/DATE	APPD BY/DATE		UNIT m / m	SH 1 OF 1	CONTROL NO.	DWG NO.