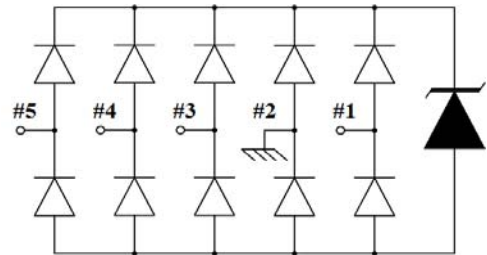


Features

- 65 Watts Peak Pulse Power per Line ($t_p=8/20 \mu s$)
- Protects Four I/O High Speed Lines
- Low Clamping Voltage
- RoHS Compliant
- IEC61000-4-2 (ESD) $\pm 15kV$ (air), $\pm 10kV$ (contact)
- IEC61000-4-4 (EFT) 40A (5/50ns)
- IEC61000-4-5 (LIGHTING) 2.6A (8/20 μs)

Dimensions DFN1308P5

Pin Configuration



Applications

- Microprocessor based equipment
- USD 3.0 High Speed Lines
- HDMI 2.0 Protection
- Notebooks, Desktops, and Servers
- MDDI Ports
- PCI Express

Mechanical Characteristics

- DFN1308P5 Package
- Molding Compound Flammability Rating : UL 94V-O
- Weight 2.5 Milligrams (Approximate)
- Reel Size : 7 inch
- Lead Finish : Lead Free

Absolute Maximum Ratings (Tamb=25°C unless otherwise specified)

Parameter	Symbol	Value	Unit
Peak Pulse Power (8/20 μs)	Ppp	65	W
ESD per IEC 61000-4-2 (Air)	V _{ESD}	± 15	Kv
ESD per IEC 61000-4-2 (Contact)		± 10	
Operating Temperature Range	T _J	-55 to +125	°C
Storage Temperature Range	T _{STJ}	-55 to +150	°C

Electrical Characteristics(TA=25°C unless otherwise specified)

Part Number	Device Marking	V _{RWM} (V)	V _{BR} (V)	I _T (mA)	V _C @1A	V _C		I _R μA (Max)	C (Pf) (Typ.)
						(Max)	(@A)		
ULC7524T	U41P	5	6	1	12.8	25	2.6	0.1	0.25

Characteristic Curves

Figure 1. 8 x 20 μs Waveform

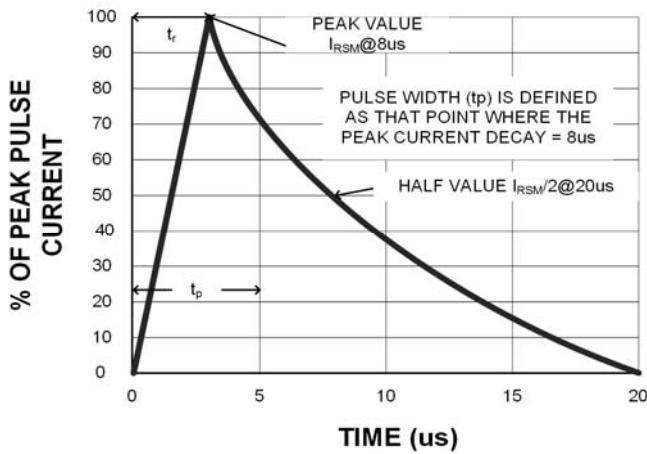


Figure 2. Power Derating Curve

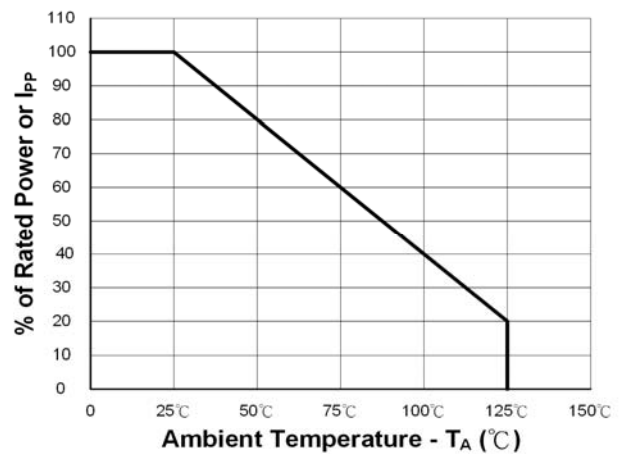
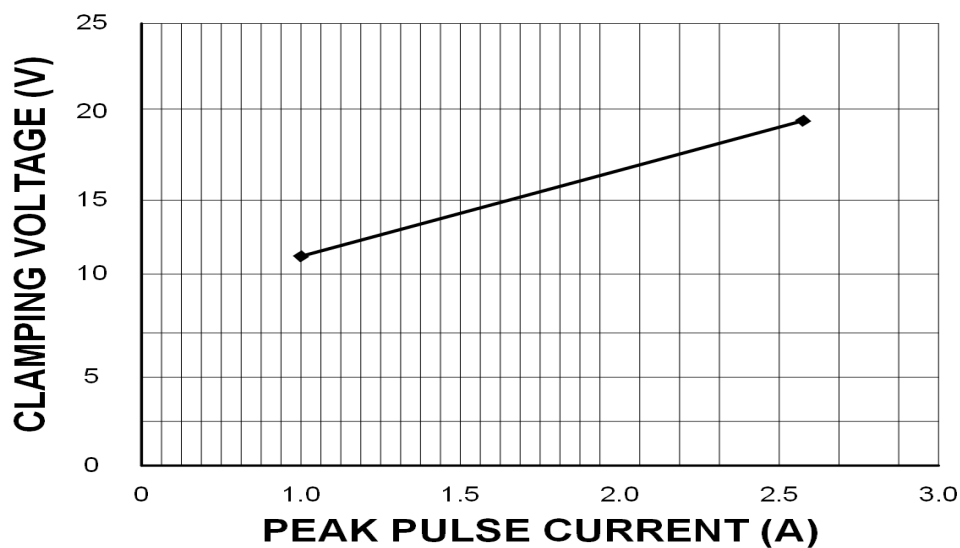


Figure 3. Clamping Voltage vs. Peak Pulse Current (tp=8/20 μs)



TYPIC CHARACTERISTICS

Figure 4. Typical Capacitance vs. Reverse Voltage

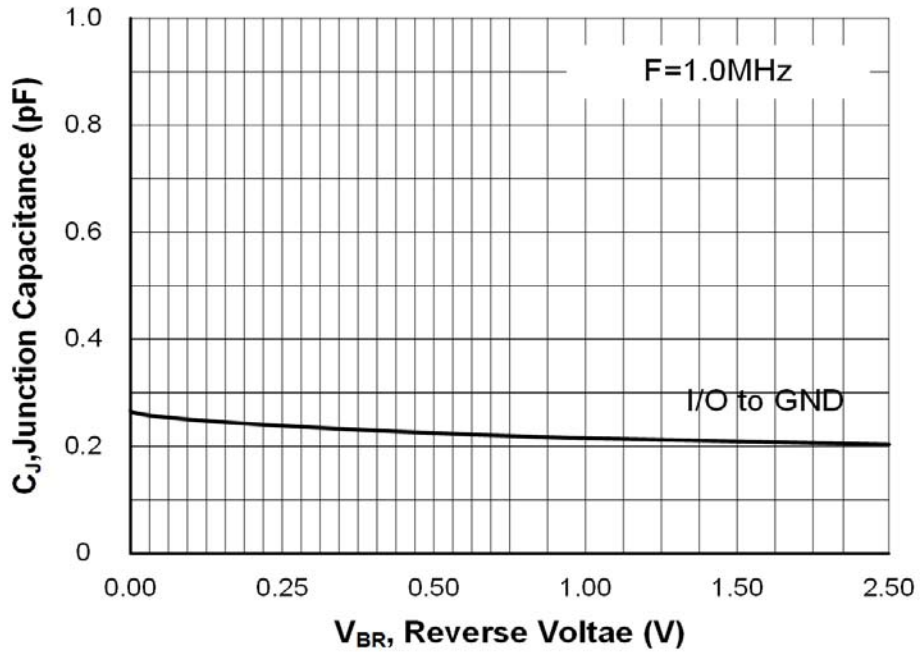
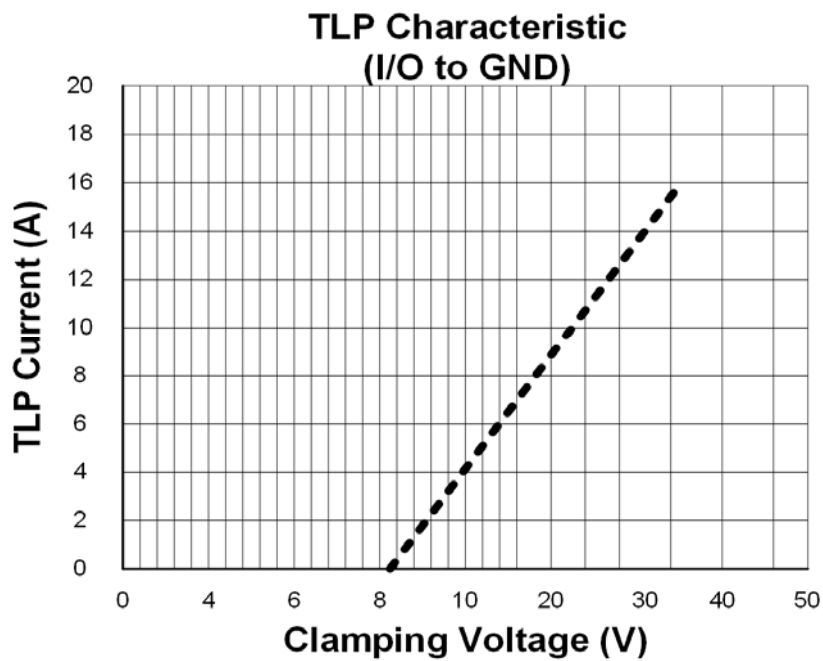
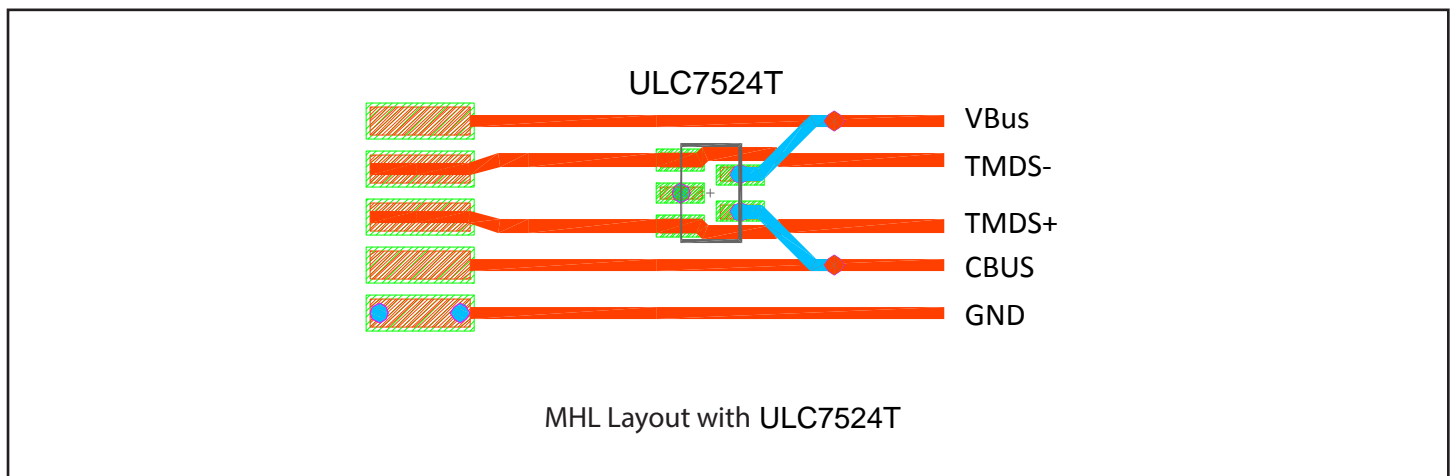
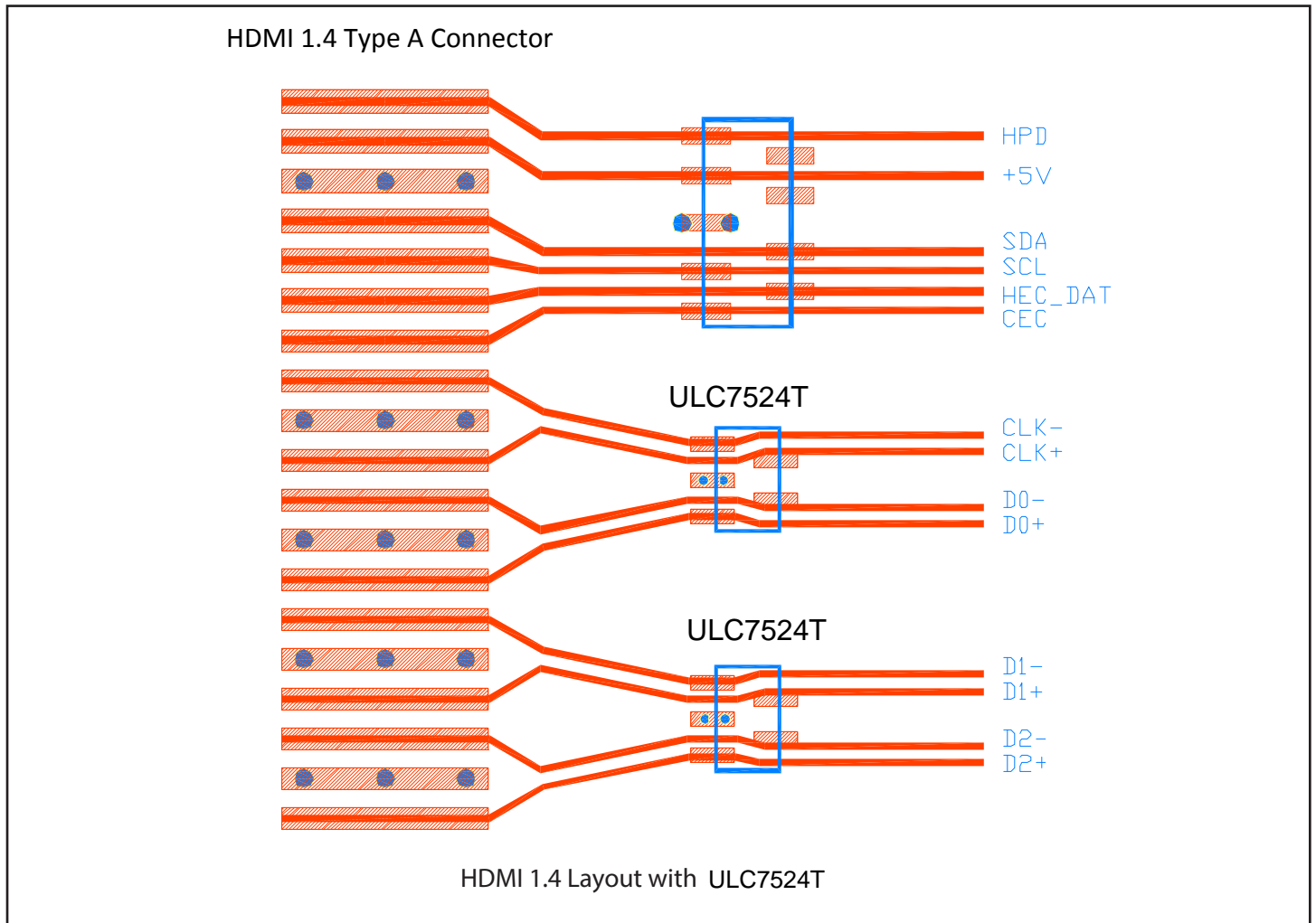


Figure 5. TRANSMISSION LINE PULSE (TLP)

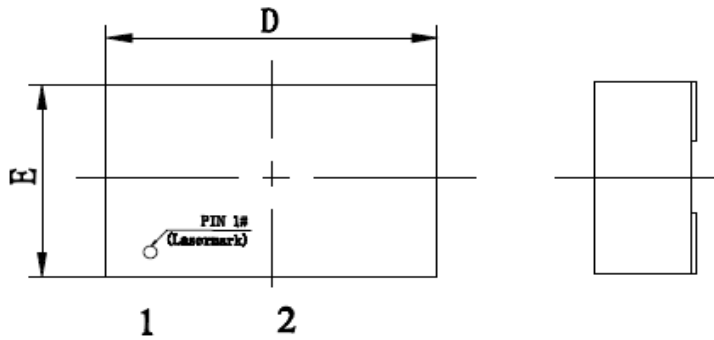


Application Information

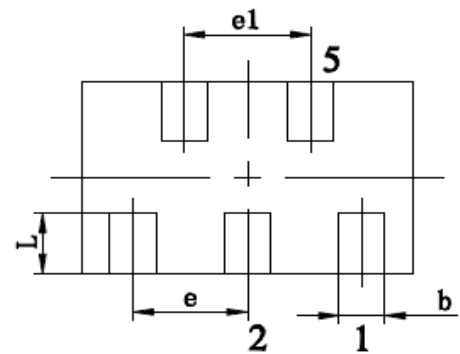
Application Information



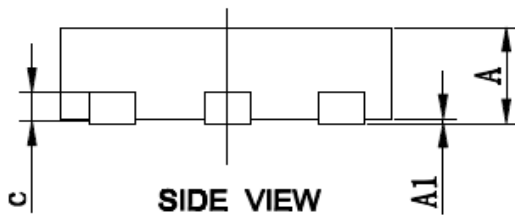
DFN1308P5 PACKAGE OUTLINE & DIMENSIONS



TOP VIEW



BOTTOM VIEW



SIDE VIEW

SYMBOL	MILLIMETER		
	MIN	NOM	MAX
A	0.37	0.40	0.43
A1	0	0.02	0.05
b	0.13	0.18	0.23
c	0.08	0.13	0.18
D	1.20	1.30	1.40
e	0.45BSC		
e1	0.50BSC		
E	0.70	0.80	0.90
L	0.20	0.25	0.30