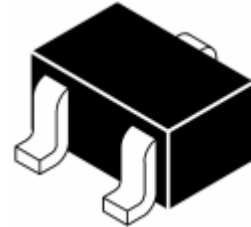


Features

- 100 Watts Peak Pulse Power per Line (tp=8/20μs)
- Protects Two Lines
- Low Clamping Voltage
- Working Voltages : 5V
- Low Leakage Current
- IEC61000-4-2 (ESD) ±17kV (air), ±15kV (contact)
- IEC61000-4-4 (EFT) 40A (5/50ns)
- IEC61000-4-5 (LIGHTING) 4A (8/20μs)

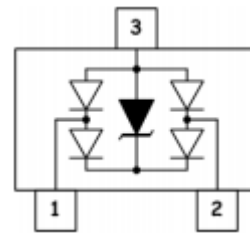
Dimensions SOT-523



Applications

- Cellular Handsets & Accessories
- Antennas
- High Speed I/O Lines
- Keypads, Side Keys, LCD Displays
- Battery, Power Lines
- Notebooks & Desktop Computers
- Portable Instrumentation

Pin Configuration



Mechanical Characteristics

- SOT-523 Package
- Molding Compound Flammability Rating : UL 94V-O
- Weight 3 Milligrams (Approximate)
- Quantity Per Reel : 3,000pcs
- Reel Size : 7 inch
- Lead Finish : Lead Free

Absolute Maximum Ratings (Tamb=25°C unless otherwise specified)

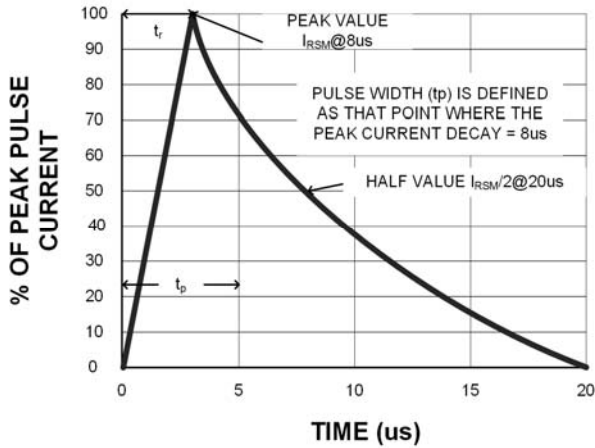
Parameter	Symbol	Value	Unit
Peak Pulse Power (8/20μs)	Ppp	100	W
ESD per IEC 61000-4-2 (Air)	VESD	± 17	Kv
ESD per IEC 61000-4-2 (Contact)		± 15	
Operating Temperature Range	TJ	-55 to +125	°C
Storage Temperature Range	TSTJ	-55 to +150	°C

Electrical Characteristics (TA=25°C unless otherwise specified)

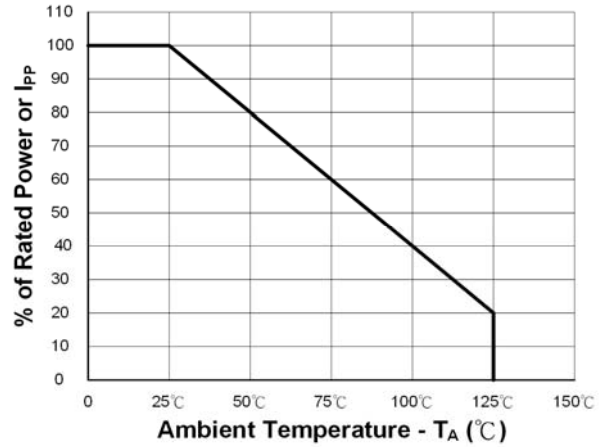
Part Number	Device Marking	V _{RWM} (V)	V _{BR} (V)	I _T (mA)	V _C @1A	V _C		I _R μA (Max)	C (Pf) (Typ.)
						(Max)	(@A)		
ULC0502T3	P5	5	6	1	12	25	4	1	0.4

TYPIC CHARACTERISTICS

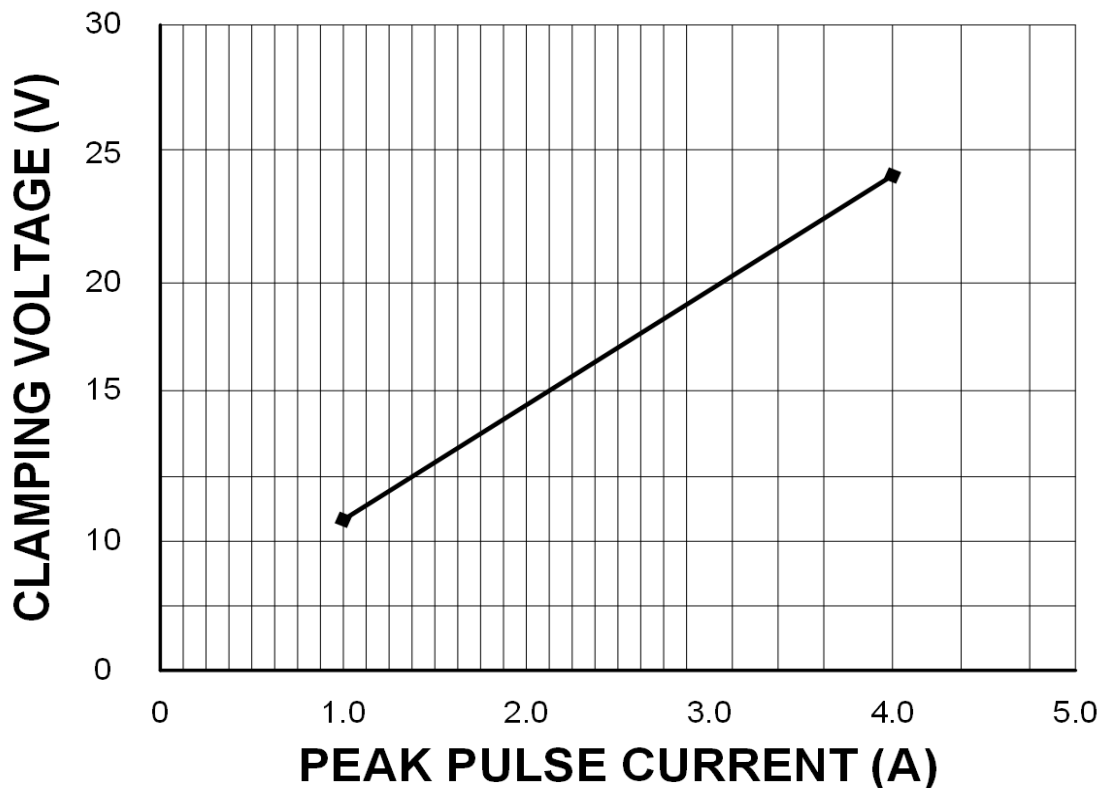
8 x 20 μ s Waveform



Power Derating Curve

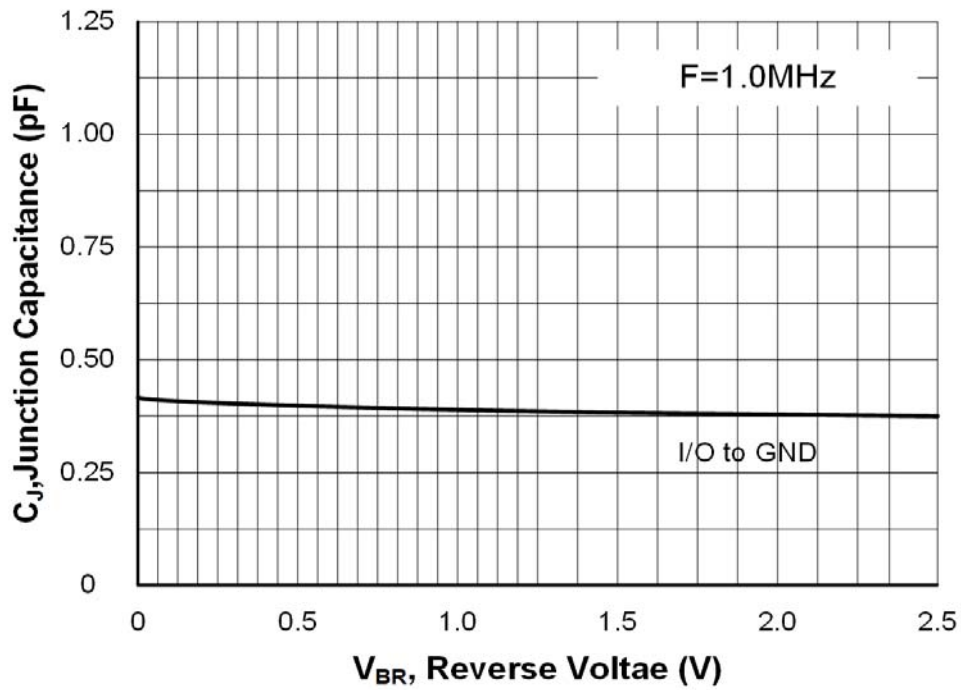


Clamping Voltage vs. Peak Pulse Current ($t_p=8/20\mu s$)

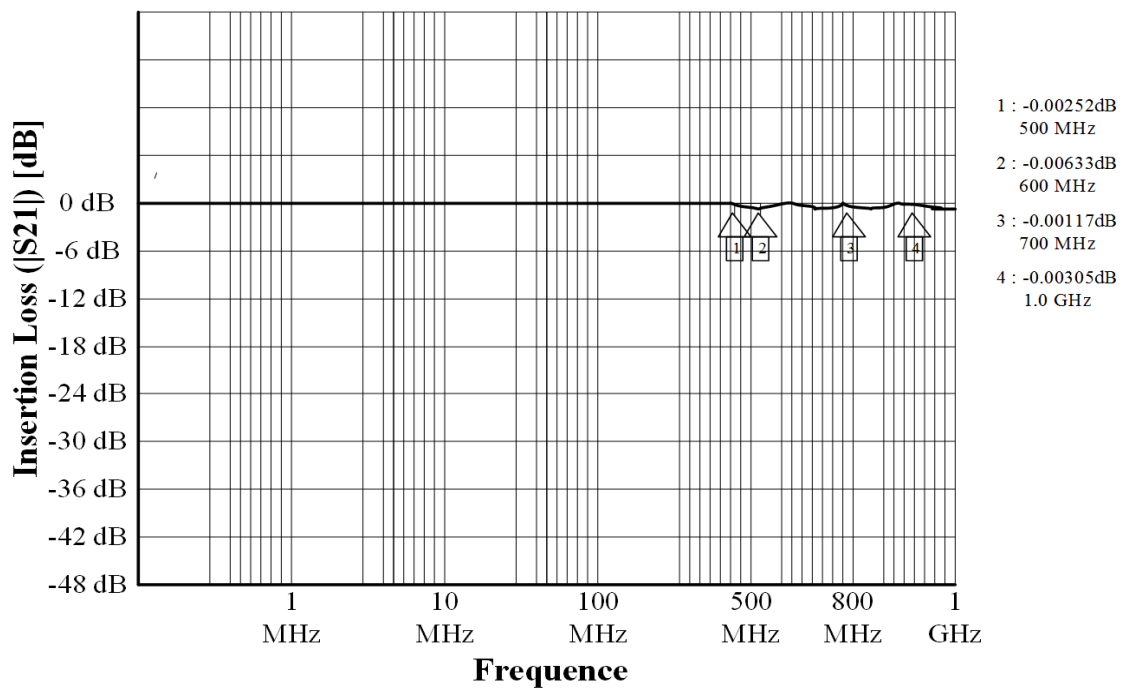


TYPIC CHARACTERISTICS

Typic Capacitance vs. Reverse Voltage

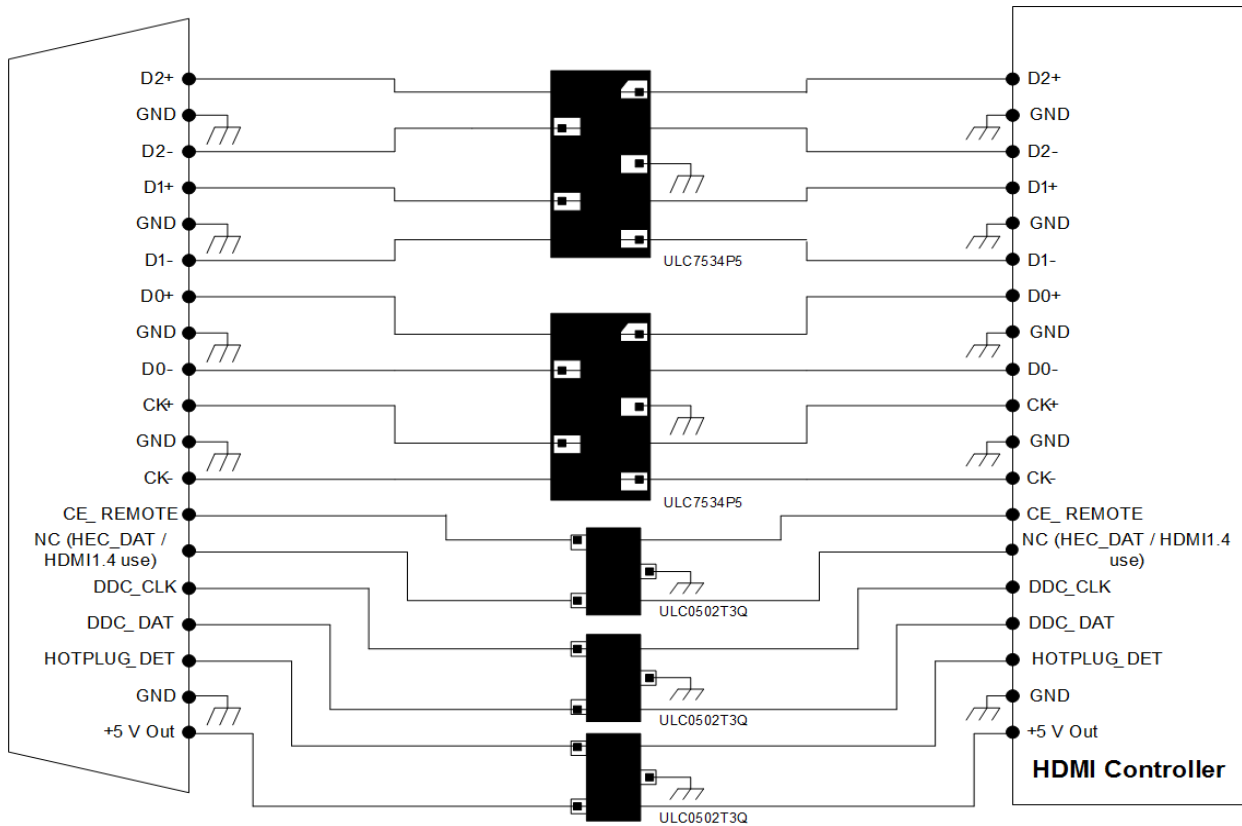


Insertion Loss (S21)

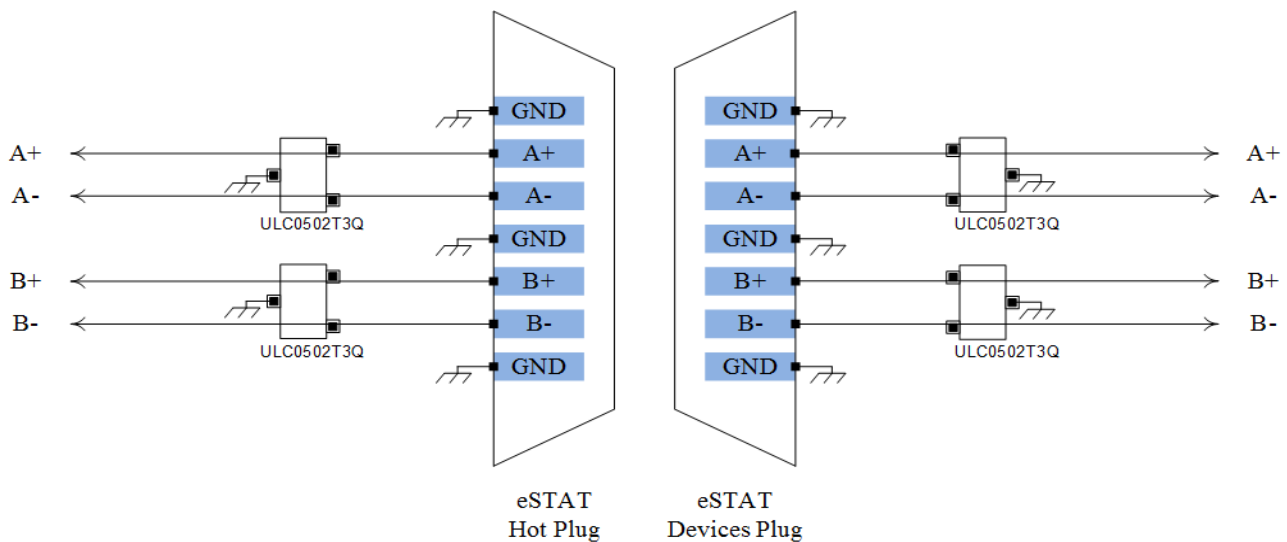


Layout Diagrams

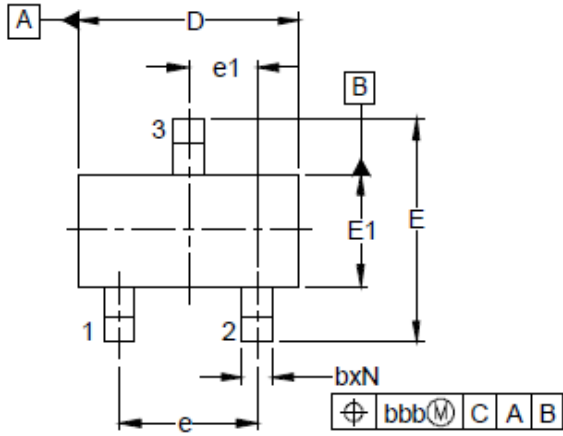
HDMI Layout Diagram



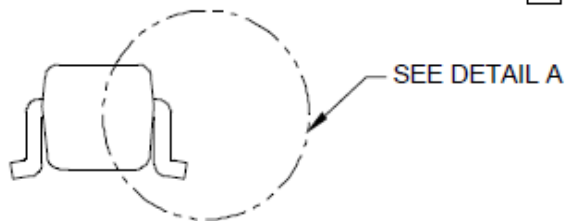
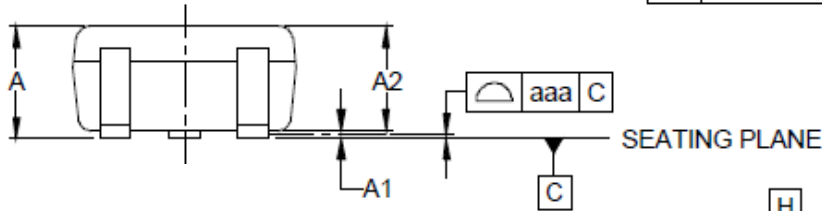
eSTAT Layout Diagram



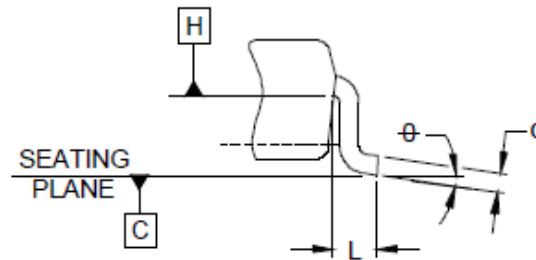
SOT-523 PACKAGE OUTLINE & DIMENSIONS



DIM	INCHES			MILLIMETERS		
	MIN	NOM	MAX	MIN	NOM	MAX
A	.023	-	.035	0.60	-	0.90
A1	.000	-	.004	0.00	-	0.10
A2	.023	.030	.031	0.60	0.75	0.80
b	.005	-	.012	0.15	-	0.30
c	.003	-	.008	0.10	-	0.20
D	.059	.063	.067	1.50	1.60	1.70
E	.057	.063	.069	1.45	1.60	1.75
E1	.029	.031	.033	0.75	0.80	0.85
e	.039 BSC		1.00 BSC			
e1	.020 BSC		0.50 BSC			
L	(.009)		(0.22)			
N	3		3			
θ	0°	-	8°	0°	-	8°
aaa	.004		0.10			
bbb	.008		0.20			

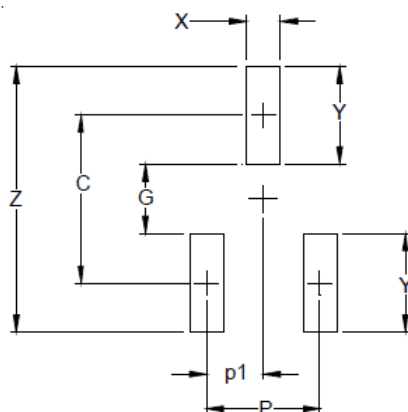


SIDE VIEW



DETAIL A

* SOLDERING FOOTPRINT



DIM	DIMENSIONS	
	INCHES	MILLIMETERS
C	(.055)	(1.40)
P	.039	1.00
p1	.020	0.50
G	.024	0.60
X	.016	0.40
Y	.031	0.80
Z	.087	2.20