

# Crystal Resonators

SMD Seam 3.2×2.5×0.7mm 7U Series



Approved by: 刘惠光

Checked by : 李相同

Issued by: 贺丹斌

## SPECIFICATION

PN: SJK-7U08000MBZ1550F5

深圳市晶科鑫实业有限公司

SHENZHEN CRYSTAL TECHNOLOGY INDUSTRIAL CO., LTD.

---

Add: 12F, Bldg. 3C, TianAn Cloud Park Phase 1, Bantian, Longgang, Shenzhen, China

Tel: (86) 755 88352809 88352810

Fax: (86) 755 88353718 88352499

E-mail: [sjk@q-crystal.com](mailto:sjk@q-crystal.com)

[HTTP://www.q-crystal.com](http://www.q-crystal.com)

Page 1

# Crystal Resonators

## SMD Seam 3.2×2.5×0.7mm 7U Series



### FEATURE

- Reliable seam sealed ceramic package.
- Wide operating temperature range.
- Superior performance and stringent reliability in harsh environment.
- Application: TPMS, ECM, ABS and sensor modules.
- Compact size.
- RoHS Compliant / Pb Free.

### ELECTRICAL SPECIFICATIONS (电气参数)

|  |                 |
|--|-----------------|
| Output Frequency Range   | 8.000MHz        |
| Mode   | AT/Fundamental  |
| Frequency Tolerance (at 25°C)                                  | ±10ppm          |
| Frequency Stability Over Operating Temperature Characteristics | ±50ppm          |
| Operating Temperature Range                                    | -40°C to +105°C |
| Storage Temperature Range                                      | -55°C to +125°C |
| Shunt Capacitance (C0)   | 3.0 PF Max      |
| Driver Level (Typical)   | 100μW           |
| Load Capacitance(CL)   | 20PF            |
| Equivalent Series Resistance(ESR)                              | 150Ω Max        |
| Aging @25°C 1 <sup>st</sup> year (Max)                         | ±3ppm/year      |

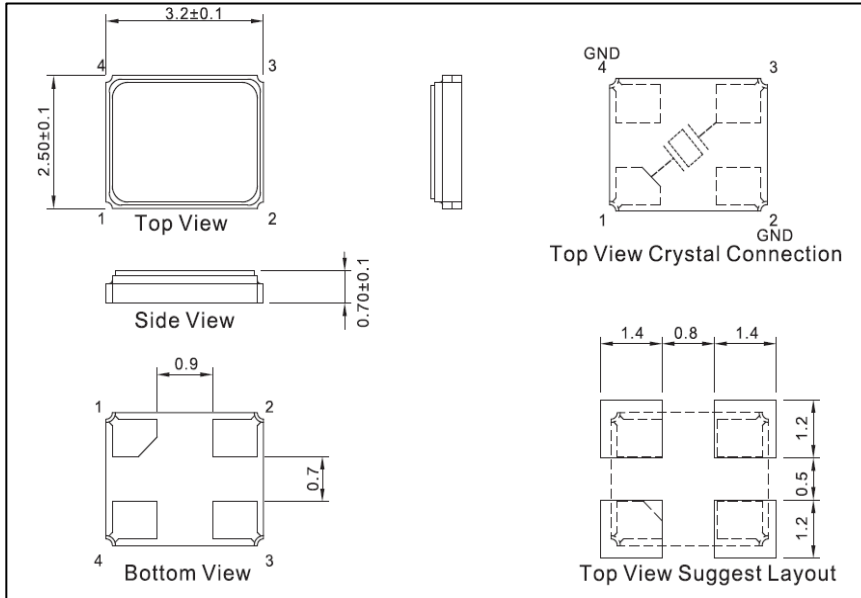
REMARK: SPECIFICATIONS SUBJECT TO CHANGE WITHOUT PRIOR NOTICE. PLEASE CONFIRM WITH OUR SALES ENGINEER.

# Crystal Resonators

## SMD Seam 3.2×2.5×0.7mm 7U Series



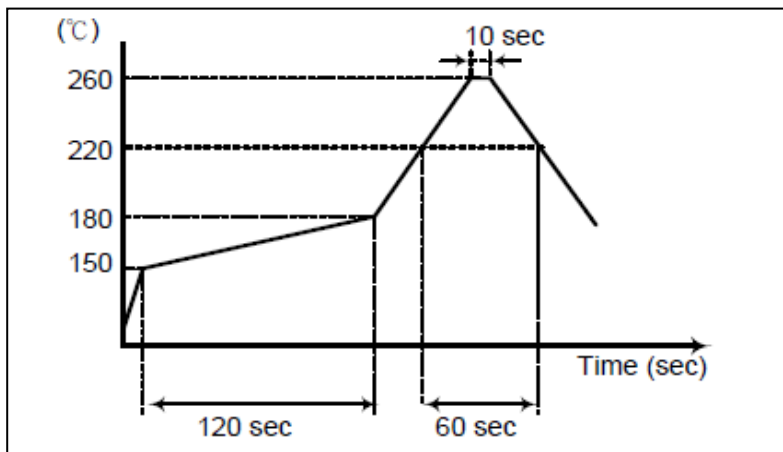
### Dimension (尺寸) (Unit: mm)



### MARK (印字)



### REFLOW CONDITION (回流焊)



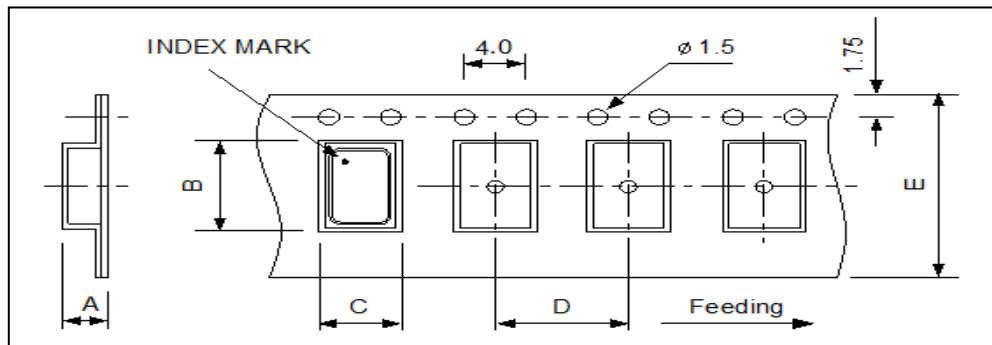
The reflow temperature profile may vary depending on the product model, specifications and frequency range. Refer to the individual product specifications for details

# Crystal Resonators

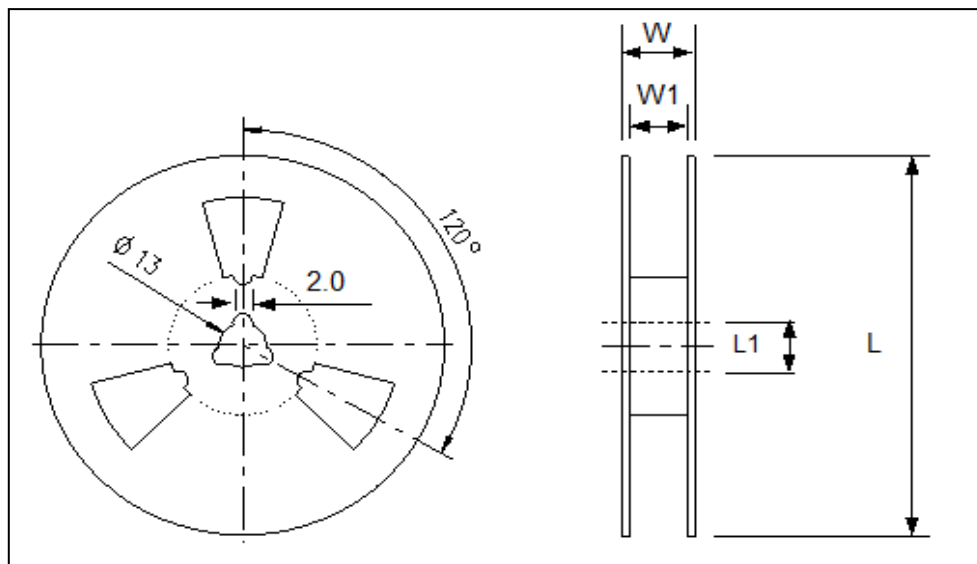
## SMD Seam 3.2×2.5×0.7mm 7U Series



### CARRIER TYPE (載帶)



### REEL(卷盘)



| DIMENSIONS |             | A    | B    | C    | D | E  | L   | L1 | W    | W1   | pcs / Reel |
|------------|-------------|------|------|------|---|----|-----|----|------|------|------------|
|            | <b>7050</b> | 2.15 | 7.9  | 5.4  | 8 | 16 | 180 | 13 | 21.5 | 17.5 | 1K         |
|            | <b>6035</b> | 1.4  | 6.4  | 3.9  | 8 | 12 | 180 | 13 | 15.4 | 13   | 1K         |
|            | <b>5032</b> | 1.46 | 5.5  | 3.6  | 8 | 12 | 180 | 13 | 15.4 | 13   | 1K         |
|            | <b>3225</b> | 1.4  | 3.4  | 2.7  | 4 | 8  | 180 | 13 | 11.5 | 8    | 3K         |
|            | <b>2520</b> | 1.15 | 2.8  | 2.25 | 4 | 8  | 180 | 13 | 10.5 | 8    | 3K         |
|            | <b>2016</b> | 0.95 | 2.25 | 2.25 | 4 | 8  | 180 | 13 | 10.5 | 9    | 3K         |
|            | <b>1612</b> | 0.8  | 2.0  | 1.85 | 4 | 8  | 180 | 13 | 10.5 | 9    | 3K         |
|            | <b>1210</b> | 0.45 | 1.30 | 1.10 | 4 | 8  | 180 | 13 | 10.5 | 8    | 3K         |

# Crystal Resonators

## SMD Seam 3.2×2.5×0.7mm 7U Series



### RELIABILITY TEST SPECIFICATIONS (可靠性测试标准)

| Test item                                  | Equipment                              | Condition   | Specification                  |
|--|--|---|--------------------------------|
| 1. SOLDERABILITY TEST                      | SJK-REL001、RC-328A                     | 1.Solderability:235±5℃, 5±0.5S<br>2.Heat resistance:260±5℃,10±1S restoration of 1 hour        | MIL-STD-883E<br>Method 2003.7  |
| 2. HERMETICITY TEST                        | HELIOT-306S                            | FC-84 FLUOROCARBON,BUBBLE MACHINE   | MIL-STD-883E<br>Method 1014.10 |
| 3. VIBRATION TEST                          | HG-V4、S&A 250B                         | Enable Crystal(10g) from 10-55-10Hz,X、Y、Z horizontal,1 Minute vibration/time, 1time/ 2 hours. | MIL-STD-883E<br>Method 2007.3  |
| 4. MECHANICAL SHOCK                        | HPC-200、S&A 250B                       | Enable Crystal 50G(490m/s <sup>2</sup> ) time=11 ms speed=3.4 m/s half sine wave oscillation  | JIS C6701                      |
| 5. DROP TEST                               | HARD BOARD.S&A250B                     | 75CM HIGH,3 TIMES ON HARD BOARD   | MIL-STD-202F<br>Method 213B    |
| 6. HIGH&LOW TEMP STORAGE TEST(Static test) | H-PTH-80CK & HM101-3ABN, S&A 350B/250B | High temperature: 125℃±2℃,1000hr; Low temperature:-40℃±3℃,1000hrs                             | MIL-STD883C,<br>METHOD 1011.8  |
| 7. TEMP & HUM CYCLING TEST                 | H-PTH-80CK CHAMBE, S&A 350B/250B       | Temperature:-10℃±2℃~65℃±2℃,Humidity:93±3%,1 cycle need 24 hrs. 5cycles.                       | MIL-STD-883E<br>Method 1005.8  |
| 8. HIGH TEM. & HUM. STORAGE TEST           | H-PTH-80CK CHAMBE, S&A350B/250B        | Temperature:40℃±2, Humidity:85+3,-2%,Store 96 hrs   | JIS C6701                      |
| 9.AGING TEST                               | H-PTH-80CK CHAMBE, S&A350B/250         | Temperature:40℃±2, Humidity:85+3,-2%,Store 96 hrs   | JIS C5023                      |

Add: 12F, Bldg. 3C, TianAn Cloud Park Phase 1, Bantian, Longgang, Shenzhen, China

Tel: (86) 755 88352809 88352810

Fax: (86) 755 88353718 88352499

E-mail: sjk@q-crystal.com

HTTP://www.q-crystal.com

Page 5