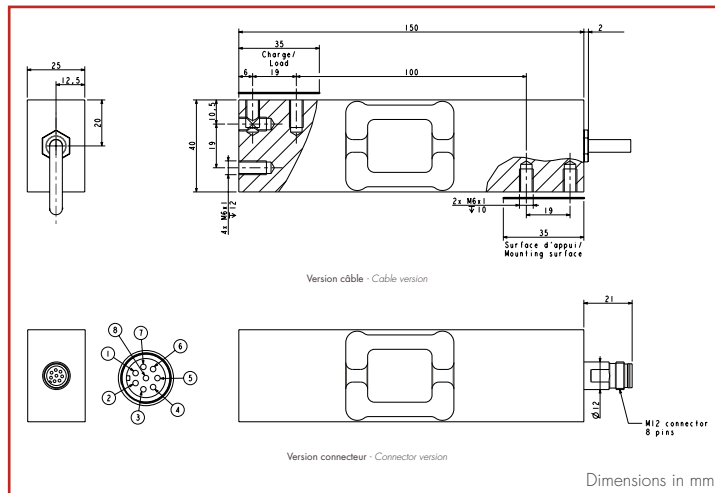
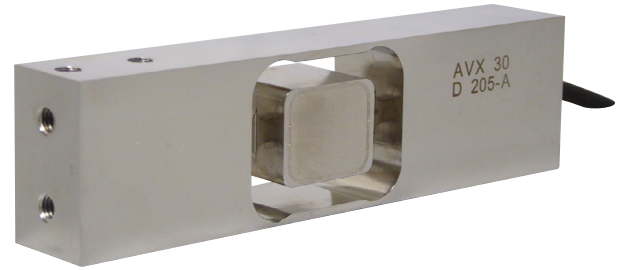


AVX C3

15 kg ... 75 kg



- Stainless steel construction, sealed (IP68, IP69K)
- Approved up to 3000 d OIML R60
- Ideally suited for scales or dosing machines used in wet or corrosive environments
- Off-center load compensated
- Optional connector output
- Optional calibrated output signal



Signal at FS: 2 mV/V $\pm 10\%$
 Combined error: $\pm 0.017\%$ FS
 Impedance (in/out): $385\ \Omega \pm 20$ / $350\ \Omega \pm 5$
 Compensated temperature range: $-10 \dots +40^\circ\text{C}$
 Platform size: 500 x 400 mm
 Cable/length: 6 shielded wires / 3 m or connector M12
 Warranty: 3 years

+ Excit.: Brown | + Sign.: Yellow | - Sign.: White | - Excit.: Green | + Sense: Grey | - Sense: Pink

Replaces: HBM PW15

P/N	Designation	Cn	V _{min.}	DC
403128	LOAD CELL AVX 15 C3 CH 15e TR	15 kg	1 g	R1
403129	LOAD CELL AVX 30 C3 CH 15e TR	30 kg	2 g	R1
403130	LOAD CELL AVX 75 C3 CH 15e TR	75 kg	5 g	R1
Versions with aligned output signal				
403146	LOAD CELL AVX15 C3 CH 15e TR MS	15 kg	1 g	R1
403147	LOAD CELL AVX30 C3 CH 15e TR MS	30 kg	2 g	R1
403148	LOAD CELL AVX75 C3 CH 15e TR MS	75 kg	5 g	R1
CO8 versions: 8 pins				
403134	LOAD CELL AVX 15 C3 CH 15e CO8	15 kg	1 g	R1
403135	LOAD CELL AVX 30 C3 CH 15e CO8	30 kg	2 g	R1
403136	LOAD CELL AVX 75 C3 CH 15e CO8	75 kg	5 g	R1
CO8 versions with aligned output signal				
403149	LOAD CELL AVX15 C3 CH 15e CO8 MS	15 kg	1 g	R1
403150	LOAD CELL AVX30 C3 CH 15e CO8 MS	30 kg	2 g	R1
403151	LOAD CELL AVX75 C3 CH 15e CO8 MS	75 kg	5 g	R1
Accessories:				
640104	2M CABLE WITH M12 8 POLES CONNECTOR			R4
640101	5M CABLE WITH M12 8 POLES CONNECTOR			R4
640110	10M CABLE WITH M12 8 POLES CONNECTOR			R4

FS: rated capacity / v min = minimal interval (according to cert. OIML R60) / C.E. = Combined error in % of Cn / DC = Code put back