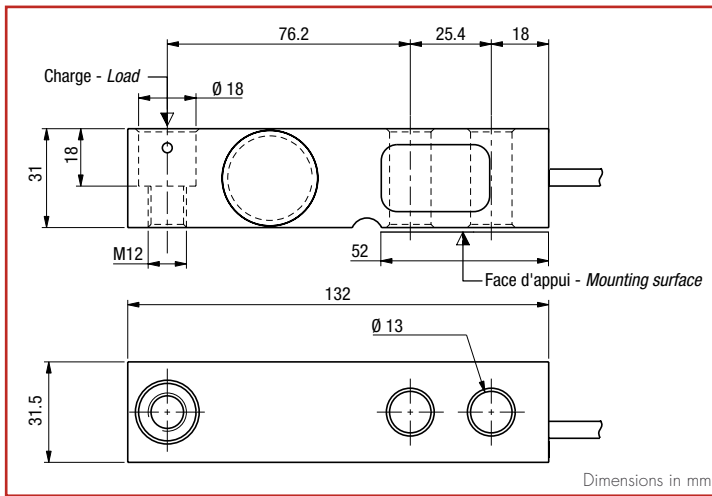


SK30A 2T

500 kg ... 2 t



- Stainless steel construction, IP67 protection
- 3 000 d OIML R60 approved
- Current calibrated signal output for multi-load cells mounting
- Ideally suited for platform scales



Signal at FS: 2 mV/V
 Combined error: $\pm 0.017\%$ FS
 Impedance (in/out): $385 \Omega \pm 20 / 350 \Omega \pm 5$
 Compensated temperature range: $-10 \dots +40^\circ\text{C}$
 Overload limit: 150 % Emax (max.: 200 %)
 Cable/length: 6 shielded wires / 5 m
 Warranty: 1 year

+ Excit.: Brown | + Sign.: Yellow | - Sign.: White | - Excit.: Green | + Sense: Grey | - Sense: Pink

Replaces: Sensortronics 65023, TH 3410, RT HCB, HBM HLC BLC ELC, Flintec SB14, MT 0745

P/N	Designation	Cn	V _{min.}	DC
Approved versions OIML C3, Y = 10 000				
430544	LOAD CELL SK30A 500 C3 SH 10e TR	500 kg	50 g	R1
430545	LOAD CELL SK30A 1 000 C3 SH 10e TR	1 000 kg	100 g	R1
430546	LOAD CELL SK30A 2 000 C3 SH 10e TR	2 000 kg	200 g	R1
Options:				
850397	OPTIONAL HIGH RESISTANCE PAINTING			R1
850272	"SI" TEST FOR LOAD CELLS ATEX & IECEx - Ⓢ II 1 G/D, Ex ia IIC T6 Ga, Ex ia IIIC T80°C Da, IP6X, -20°C < Ta < +60°C [zone 0/20]			R2
850273	"n" TEST FOR LOAD CELLS ATEX & IECEx - Ⓢ II 3 G, Ex nA IIC T6 Gc, -20°C < Ta < +60°C [zone 2]			R2
850274	"DUST" MARKING FOR LOAD CELL ATEX & IECEx - Ⓢ II 1 D, Ex ia IIIC T125°C Da, IP6X, -20°C < Ta < +60°C [zones 20] "GOSTEx" TEST & MARKING FOR SCAIME LOAD CELLS IN HAZARDOUS AREAS: Consult us			R2
Related products:				
	LOAD FOOT LFA & LFC 2t			
	ISOFLEX-S 2t			
	STABIFLEX-SK 2t			
	QUICKFITS 2t			

FS: rated capacity / v min = minimal interval (according to cert. OIML R60) / C.E. = Combined error in % of Cn / DC = Code put back