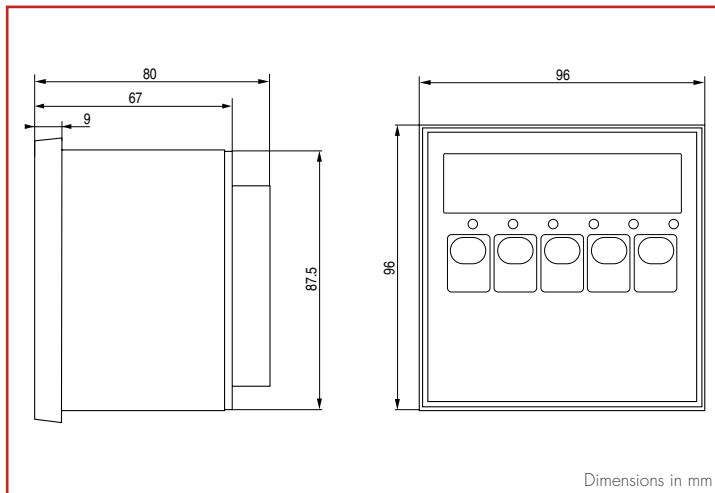


IPE50 PANEL

10 000 d / 2 x 3 000 d



- Compact housing, panel mounting
- Up to 8 load cells 350 Ω (4 or 6 wires)
- 1 RS485 output and 1 RS232 output, PROFIBUS-DP in option
- 2 relay outputs and 2 logical inputs, 4 additional relay outputs in option
- Alibi memory in option, analog output in option



Approved up to 10 000 d according to EN 45501

Power supply: 12 ... 24 VDC / 3.6 W

Load cell input voltage: 5 VDC / 120 mA

Admissible load cell signal: 0 ... +6 mV/V

Min. voltage per division: 0.3 μV

Conversion rate: max. 200 conv./s.

Transmission rate: max. 15 meas./s.

Display: 6 digit LED, 18 mm height

Warranty: 1 year

P/N	Designation	Cn	v _{min.}	DC
632020	INDICATOR IPE 50 PANEL 2S			R4
632021	INDICATOR IPE 50 PANEL 2S ANA			R4
632022	INDICATOR IPE 50 PANEL 2S PROFIBUS			R4
Options:				
632103	TIME/DATE OPTION FOR IPC/IPE			R4
632104	DSD+TIME/DATE OPTION FOR IPC/IPE			R4
632024	4 SETPOINTS OPTION BOARD FOR IPE 50 PANEL			R4
Accessories:				
632100	POWER SUPPLY FOR IPE 50 (220 VAC/12 VCC)			R4
640151	DSP10-24 RAIL DIN POWER SUPPLY (110/220 VAC, 24 VCC, 10 W)			R4
Related products:				
	PRINTER TP200			
	INDICATOR/REPEATER IPE50 XLR			

FS: rated capacity / v min = minimal interval (according to cert. OIML R601) / C.E. = Combined error in % of Cn / DC = Code put back