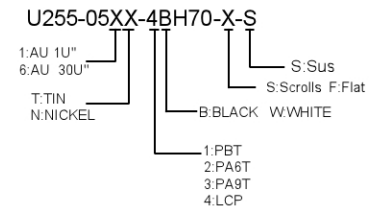


RECOMMENDED P.C.B LAYOUT

Material
Housing Material: LCP, UL94V-0, black
Contact Terminal: Copper Alloy
Metallic Shell: Sus
Electrical
Voltage Rating: 30 V AC
Current Rating: Signal (Pins 2,3,4): 1.0A, Power (Pins 1,5): 1.8A
Contact Resistance: 30mΩ Max
Insulation resistance: 1000MΩ Min
Dielectric withstanding voltage: 250V AC/Minute
Mechanical
Durability: 10,000 cycles
Mating Force: 35N (3.57KgF) Max
Unmating Force: 8N (0.82KgF) Min.

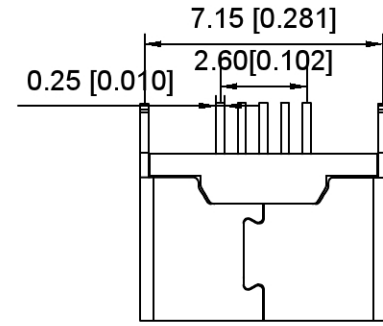
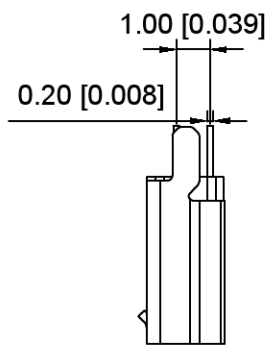
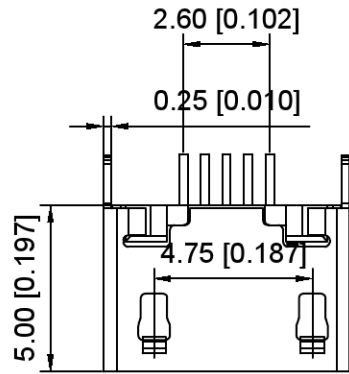


广东星坤科技股份有限公司

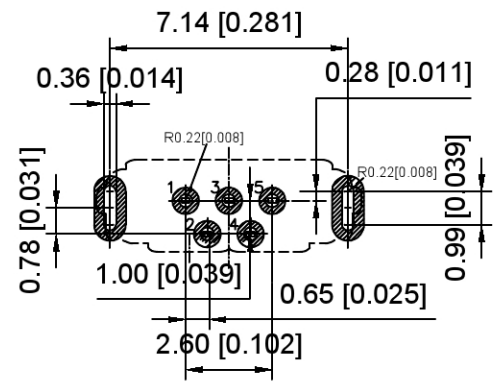
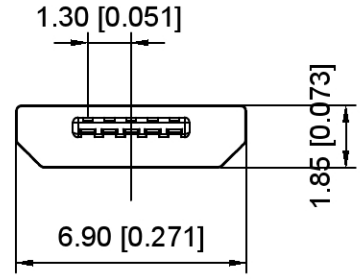
生	日期
发	
ΔX	
MARK	
文件	工程章

REVISIONS	DATE	REVISED	APPROVED	DESCRIPTION
				ANGULAR ±5°
				L ≤ 4 ±0.2
				4 < L ≤ 16 ±0.3
				16 < L ≤ 63 ±0.4
				L > 63 ±0.5
UNSPECIFIED TOLERANCES				

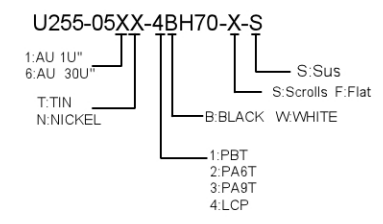
DSND	DATE	SCALE: N/A	MODEL TYPE: MICRO USB
DWN	DATE	VIEW:	PART NO.:
CHKD	DATE	UNIT: mm/in	DWG NO.:
APPD	DATE	SIZE: A4	U254-05XN-4BH70-X-S
XKB INDUSTRIAL PRECISION CO., LIMITED			WEIGHT SHEET REVISION
			1.0g 1/1 A0



Material
 Housing Material: LCP, UL94V-0, black
 Contact Terminal: Copper Alloy
 Metallic Shell: Sus
Electrical
 Voltage Rating: 30 V AC
 Current Rating: Signal (Pins 2,3,4): 1.0A, Power (Pins 1,5): 1.8A
 Contact Resistance: 30mΩ Max
 Insulation resistance: 1000MΩ Min
 Dielectric withstanding voltage: 250V AC/Minute
Mechanical
 Durability: 10,000 cycles
 Mating Force: 35N (3.57Kg) Max
 Unmating Force: 8N (0.82Kg) Min.



RECOMMENDED P.C.B LAYOUT



广东星坤科技股份有限公司

生	日期
发	日期
ΔX	
MARK	
文件工程章	

REVISIONS	DATE	REVISED	APPROVED	UNSPECIFIED TOLERANCES
ANGULAR				±5°
L ≤ 4				±0.2
4 < L ≤ 16				±0.3
16 < L ≤ 63				±0.4
L > 63				±0.5

DSND	DATE	SCALE: N/A
DWN	DATE	VIEW:
CHKD	DATE	UNIT: mm/in
APPD	DATE	SIZE: A4

MODEL TYPE:	MICRO USB
PART NO.:	
DWG NO.:	U254-05XN-4BH70-X-S
WEIGHT	1.0g
SHEET	1/1
REVISION	A0

XKB INDUSTRIAL PRECISION CO., LIMITED