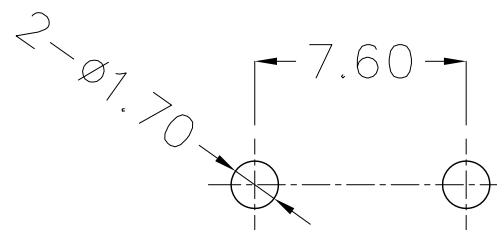
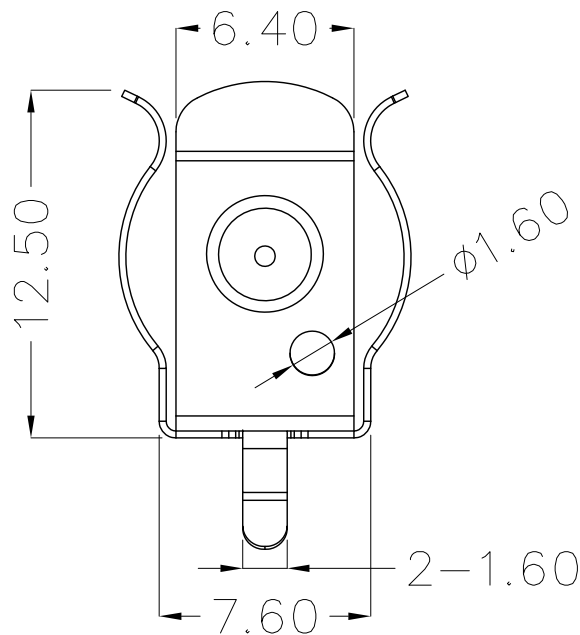
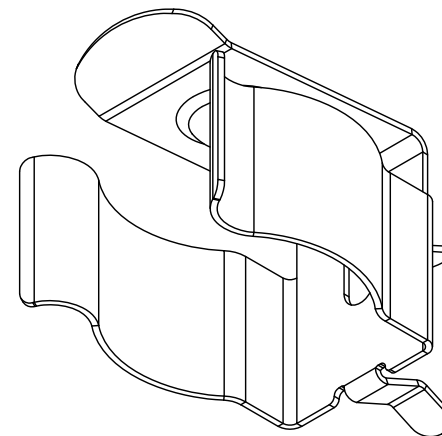
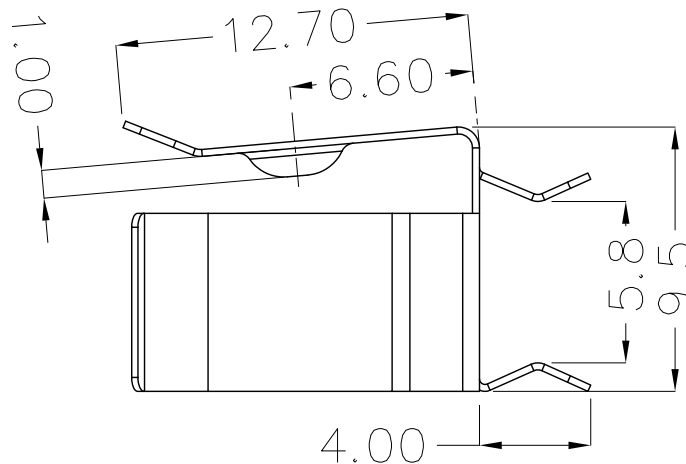
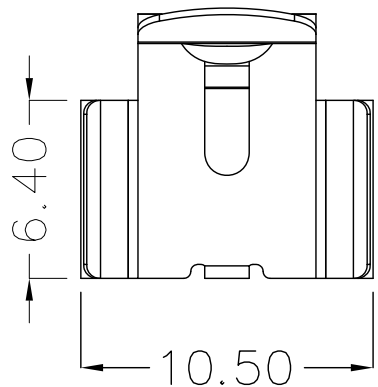




REV.	ECN NO.	REVISED	DATE



工程部
2018-10-29
LQ. HUANG

PCB Layout Diagram
Top View

UNLESS OTHERWISE SPECIFIED TOLERANCES		MYOUNG 美阳 www.meiyangdz.com	
DECIMALS: X :±0.30 X.X :±0.25 X.XX :±0.20 X.XXX :±0.10	ANGLES: X :±1° X.X :±0.5°	DSND YangFeng	DATE 2018-10-29
WEIGHT:		CHKD ZhouRuicai	DATE 2018-10-29
SHEET 1 OF 1		APVD XueShunyong	DATE 2018-10-29
TITLE:		SCALE:	VIEW:
PART NO.:		SIZE: A4	REV.: A/0
DRAW NO.:MY-CP-0165		UNIT: mm	OBJECT: MY

1	TERMINAL(-)	1	Mn Steel T=0.15mm	Ni-Plating
NO.	PART NAME	Q'TY	MATERIAL	PLATING & COLOR