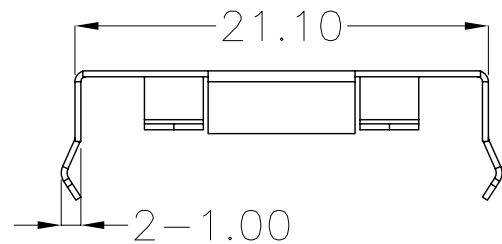
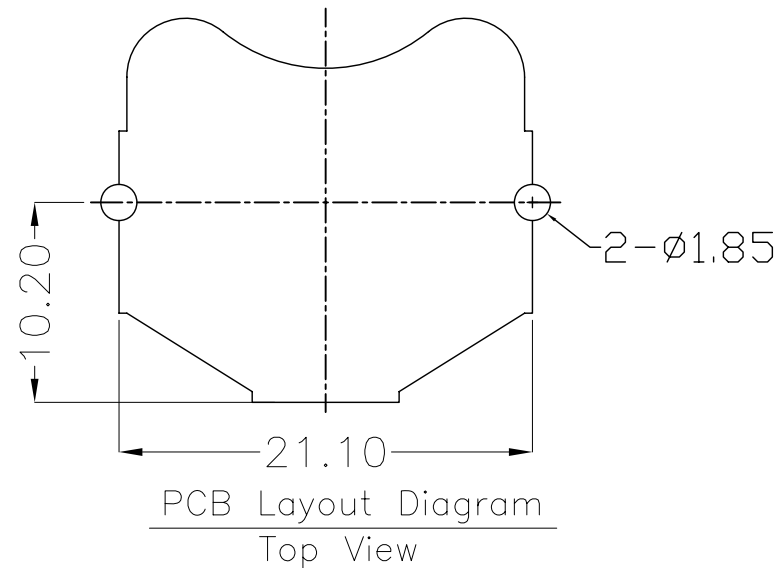
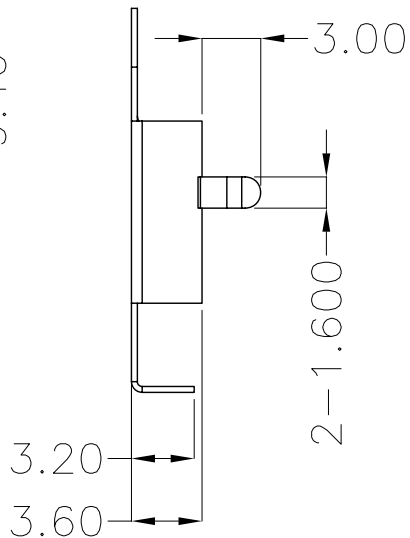
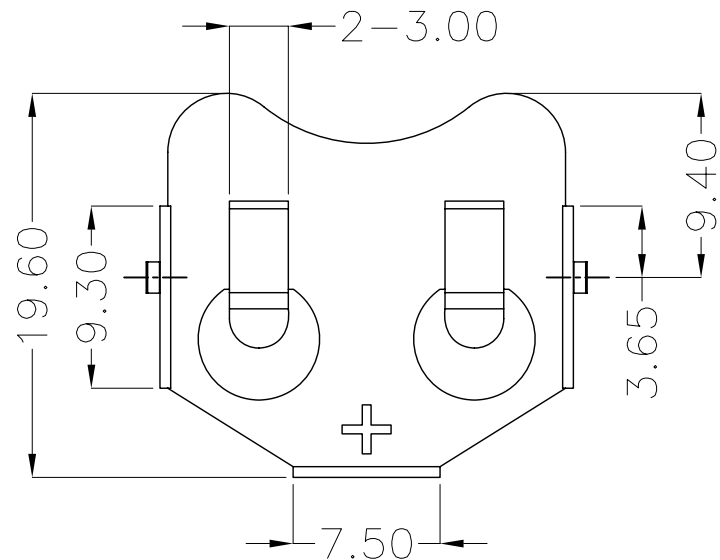




REV.	ECN NO.	REVISED	DATE



工程部
2017-07-19
ZW DANG

UNLESS OTHERWISE SPECIFIED TOLERANCES		MYOUNG 美翔 www.meiyangdz.com			
DECIMALS: X :±0.30 X.X :±0.25 X.XX :±0.20 X.XXX :±0.10	ANGLES: X :±1° X.X :±0.5°	DSND	YangFeng	DATE	2017-07-19
		CHKD	ZhouRuicai	DATE	2017-07-19
		APVD	XueShunyong	DATE	2017-07-19
WEIGHT:1.04g		SCALE:2.5:1	SIZE: A4	VIEW:	
SHEET 1 OF 1		UNIT: mm	REV.: A/0	OBJECT: MY	DRAW NO.:MY-CP-0100
		TITLE:		电池扣CR2032-A	
		PART NO.:		MY-2032-06	

1	TERMINAL(+)	1	PHOSPHOR BRONZE, T=0.30mm	Ni-Plating
NO.	PART NAME	Q'TY	MATERIAL	PLATING & COLOR