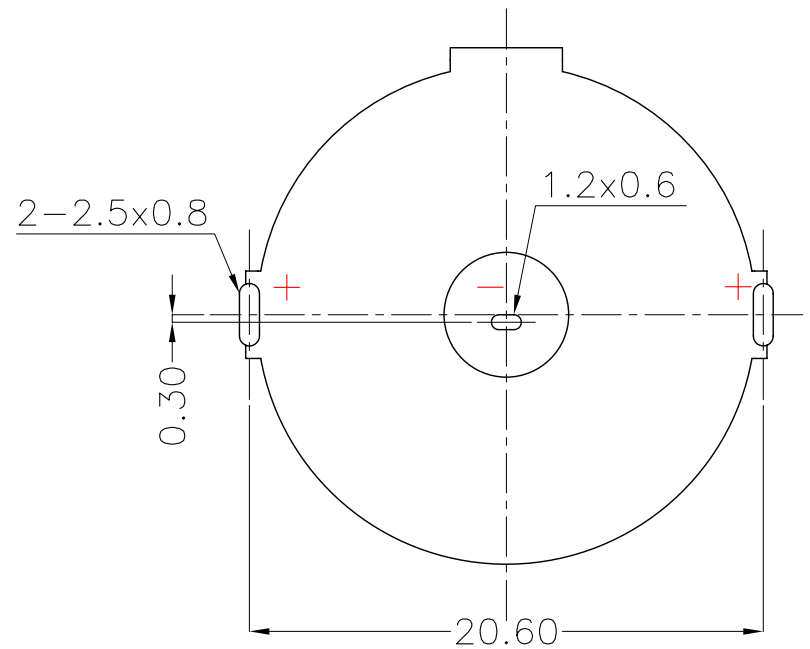
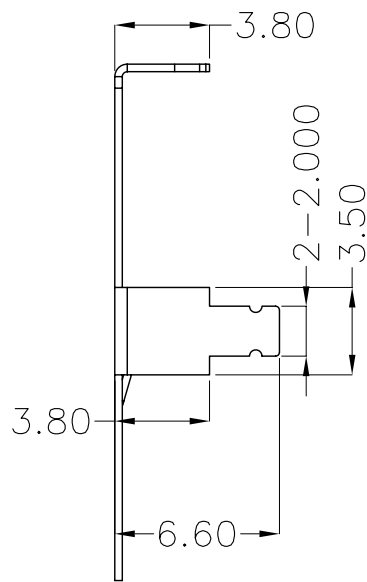
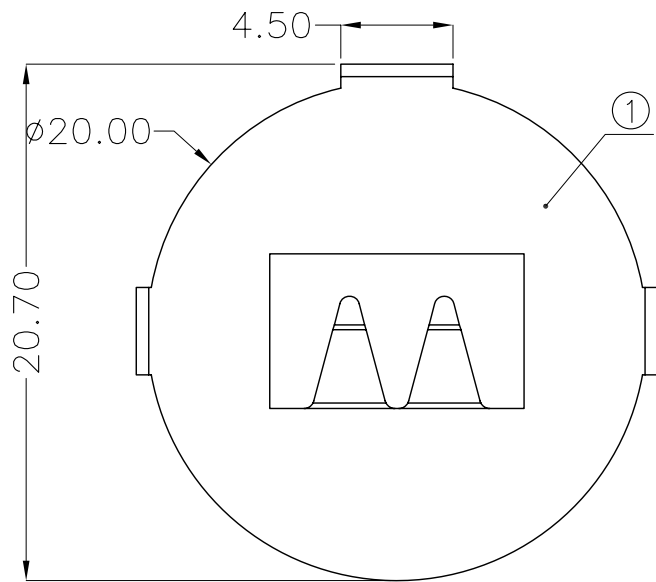
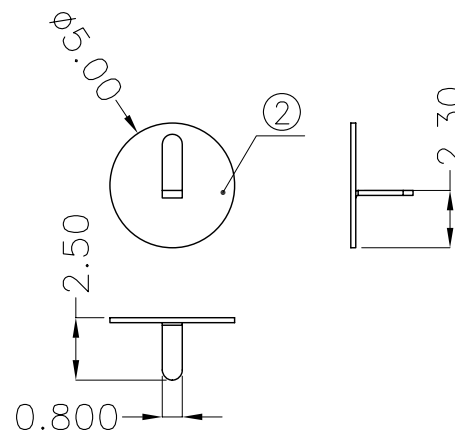
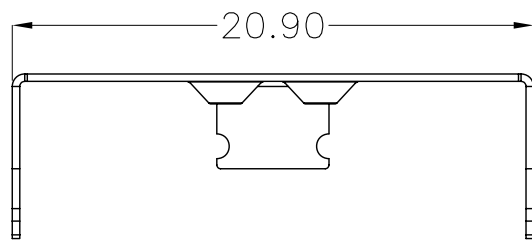




REV.	ECN NO.	REVISED	DATE



PCB Layout Diagram
Top View



工程部
2017-07-19
ZW DANG

UNLESS OTHERWISE SPECIFIED TOLERANCES		MYOUNG 美阳 www.meiyangdz.com	
DECIMALS: X :±0.30 X.X :±0.25 X.XX :±0.20 X.XXX :±0.10	ANGLES: X :±1° X.X :±0.5°	DSND YangFeng	DATE 2017-07-19
WEIGHT: 0.88g		CHKD ZhouRuicai	DATE 2017-07-19
SHEET 1 OF 1		APVD XueShunyong	DATE 2017-07-19
UNIT: mm		SCALE: 4:1	SIZE: A4
REV.: A/0		VIEW:	OBJECT: MY
DRAW NO.: MY-CP-0096		TITLE: 电池扣CR2032-2Y	

NO.	PART NAME	Q'TY	MATERIAL	PLATING & COLOR
2	TERMINAL(-)	1	Mn Steel, T=0.20mm	Ni-Plating
1	TERMINAL(+)	1	PHOSPHOR BRONZE, T=0.30mm	Ni-Plating