



REV.	ECN NO.	REVISED	DATE

1.MATERIAL:
 a.HOUSING:PPS UL94V-0
 b.CONTACT:PHOSPHOR BRONZE
 (SURFACE PLATING:AU1u")
 SEE ORDERING INFORMATION

2.ELECTRIC:
 a.CONTACT RESISTANCE: 30 MILLIOHMS MAX
 b.INSULATION RESISTANCE: 1000 MEGA OHMS MIN
 c.DIELECTNIC VOLTAGE: 500V AC ONE SEC LEVEL
 d.OPERATING TEMPERATURE: -25°C~ +85°C

ORDERING INFORMATION

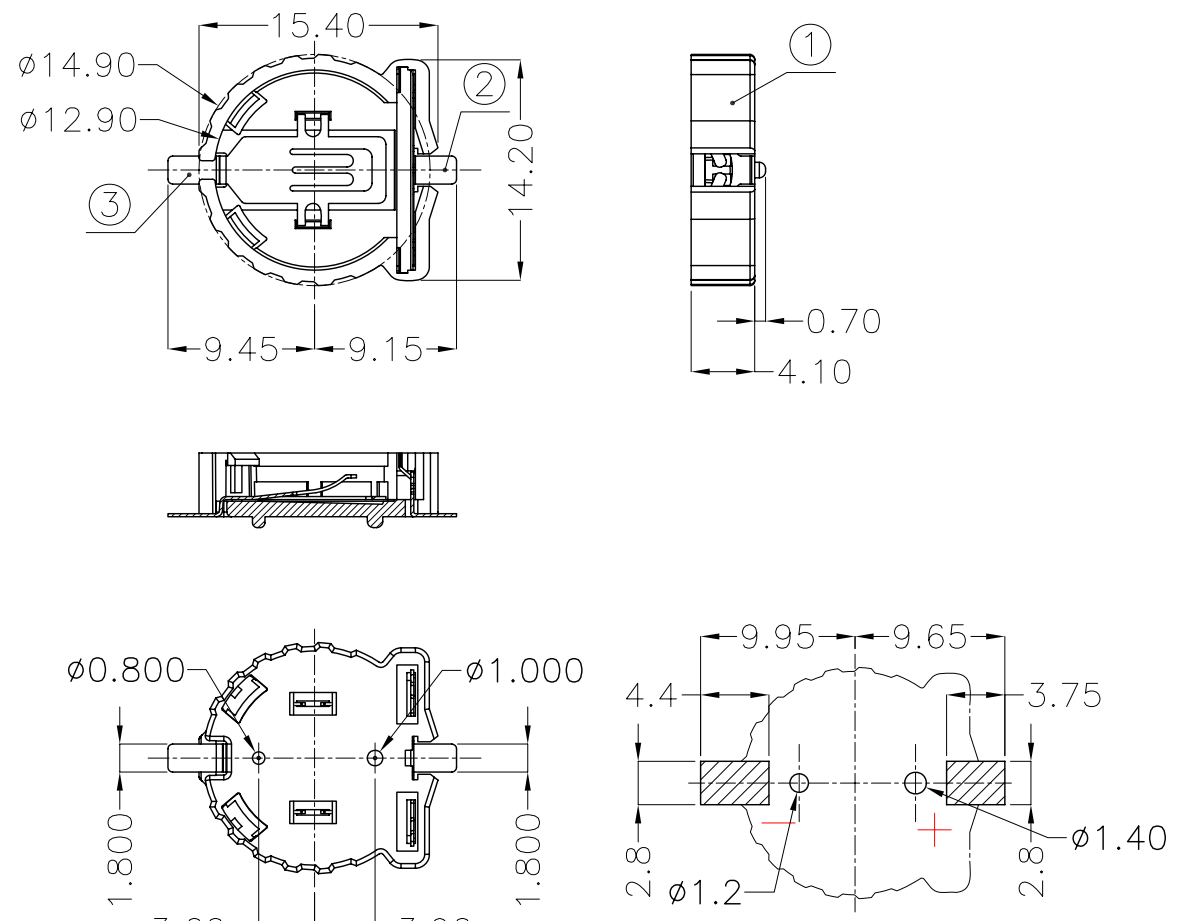
BS-12-B***011

电池座系列
 BS-12系列
 SMT 180° TYPE

PLATING:
 A-Au1U"
 J-Ni100U"~120U"
 K-Sn100U"~120U"

MATERIAL:
 1A-PBT BLACK
 1B-PA66 BLACK
 2A-PPA BROWN
 2B-PPA BLACK
 3A-PPS BROWN
 3B-PPS BLACK
 4A-LCP WHITE
 4B-LCP BLACK

工程部
 2017-06-28
 ZW DANG



PCB Layout Diagram
 Top View

UNLESS OTHERWISE SPECIFIED TOLERANCES		MYOUNG 美阳 www.meiyangdz.com	
DECIMALS: X :±0.30 X.X :±0.25 X.XX :±0.20 X.XXX :±0.10	ANGLES: X :±1° X.X :±0.5°	DSND YangFeng	DATE 2017-09-01
WEIGHT: 0.70g		CHKD ZhouRuicai	DATE 2017-09-01
SHEET 1 OF 1		APVD XueShunYong	DATE 2017-09-01
TITLE: BS-1220-2 PPS SMT (正极改结构,负极加宽)		SCALE: 2:1	SIZE: A4
PART NO.: BS-12-B3AA011		VIEW:	REV.: A/0
DRAW NO.:MY-CP-0038		UNIT: mm	OBJECT: MY

NO.	PART NAME	Q'TY	MATERIAL	PLATING & COLOR
3	TERMINAL(-)	1	PHOSPHOR BRONZE, T=0.20mm	Gold Plating and Ni Under-Plating
2	TERMINAL(+)	1	PHOSPHOR BRONZE, T=0.20mm	Gold Plating and Ni Under-Plating
1	HOUSING	1	PPS	BROWN