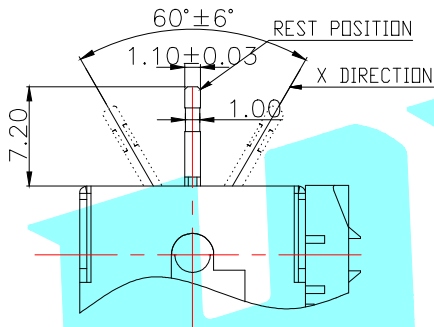
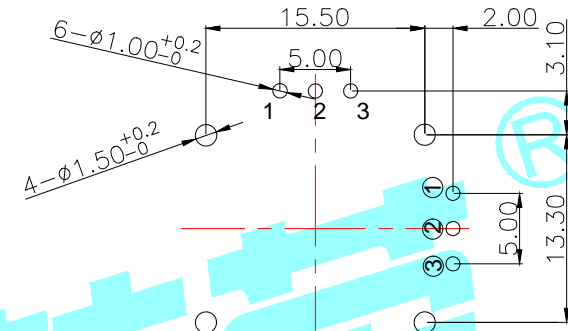
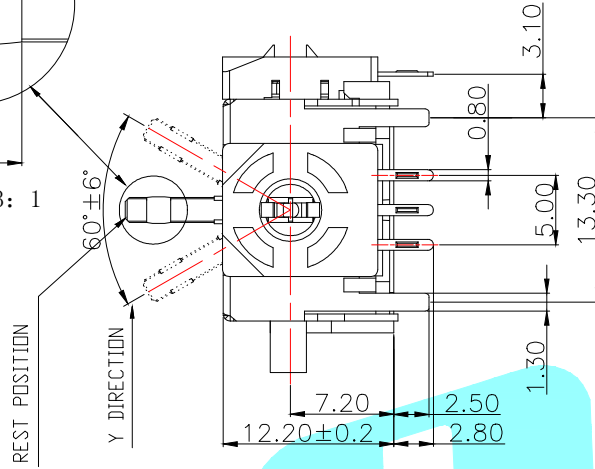
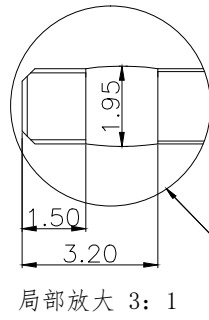
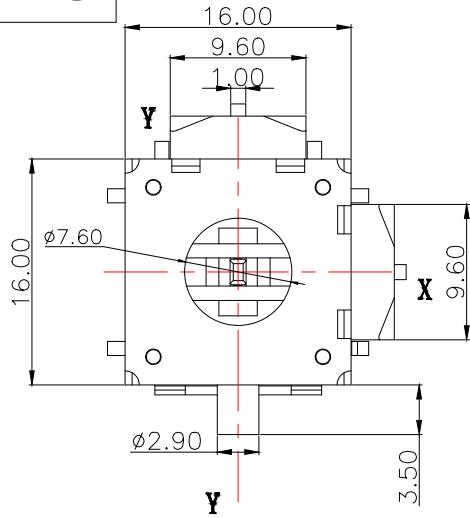


ROHS

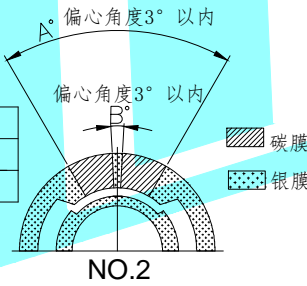


NO.1

STANDARD
10K±20%
50K±20%
100K±20%
120K±20%

NO.2

	A	38°	40°	45°	50°	60°
	B	0°	4°	6°	8°	



NO.3

S	HAVE SWITCH
W	NO SWITCH

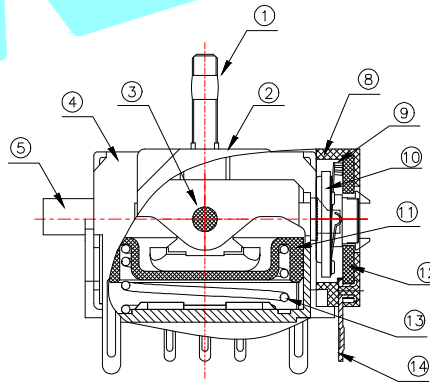
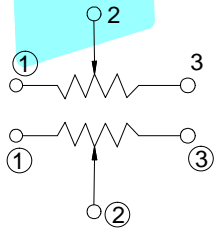
NO.4

PART NO	vigor
A	160±40gf
B	220±40gf
C	250±40gf

NO.5

PART NO	NOTE
01~99	SERIAL NUMBER

Circuit Explanation



Scale 1:1

ITEM	PART NAME	Serial number	QTY.	MATERIAL	FINISHING	REMARK
⑭	端子	---	6	SPCC	Plating Sn	---
⑬	弹簧	---	1	SUS	---	---
⑫	电阻片	---	2	---	---	---
⑪	滑动座	---	1	PLASTIC	---	---
⑩	胶座	---	2	PLASTIC	---	---
⑨	刷子	---	2	---	---	---
⑧	电阻片本体	---	2	PLASTIC	---	---
⑦	底座	---	---	PBT	---	---
⑥	开关	---	---	6*6*5	---	---
⑤	下摇臂	---	1	ALLOY	---	---
④	外壳	---	1	SPTe	---	---
③	铆钉	---	1	FE	Plating Ni	---
②	上摇臂	---	1	BRASS	---	---
①	轴心	---	1	SUS	Plating Ni	---

APPROVALS

DATE

DRAWN QIFENG.XU 2014.11.28

CHECKED

HRD 韩豪
ELECTRONICS CO.,LTD

APPROVALS

TITLE: ROCKER SWITCH

TOLERANCES ARE

30~以上	±0.30
10~30	±0.20
5~10	±0.15
~ 5	±0.10

ANGLE

UNIT: mm

SCALE: 1:1

PROJ:

DRAWING NO.

PART NO.

3D161

SHEET 1 OF 1

ECN NO.	REV.	DATE.	DESCRIPTION.	CHANGE.	CHECK.	APPRO.
	A		NEW			