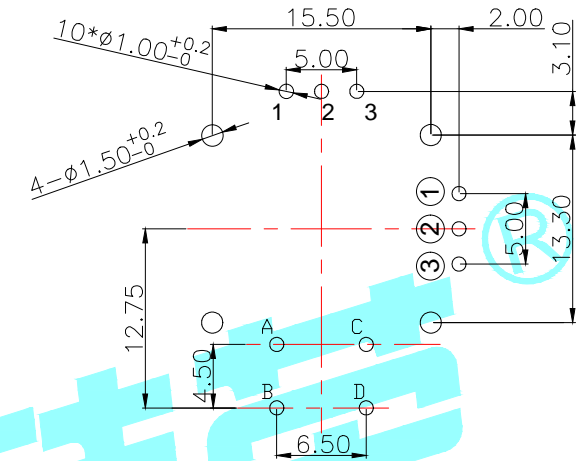
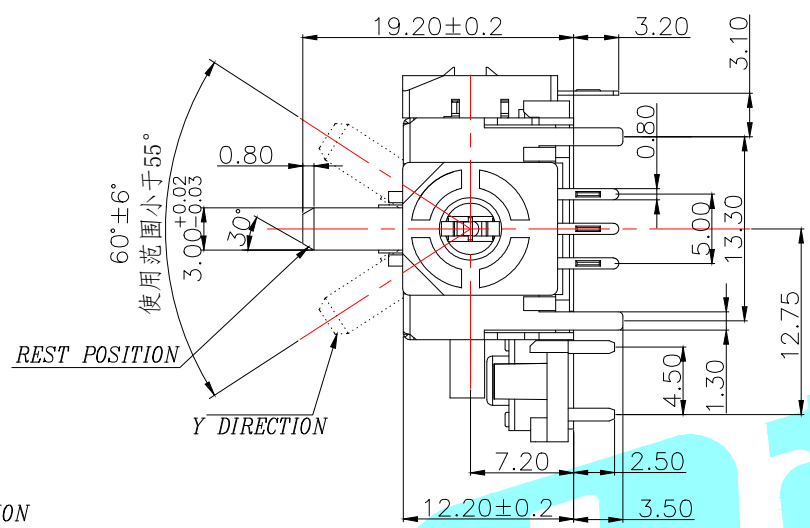
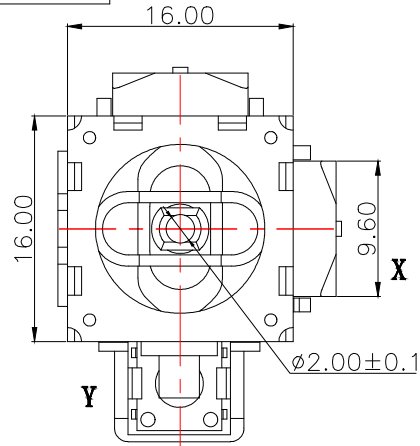
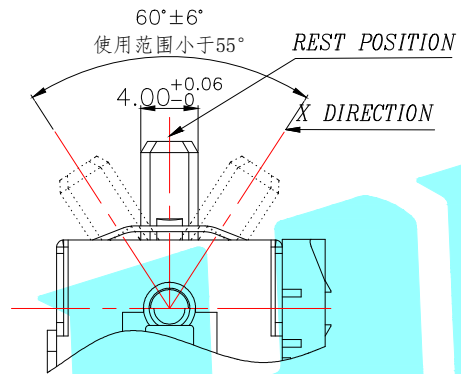


ROHS

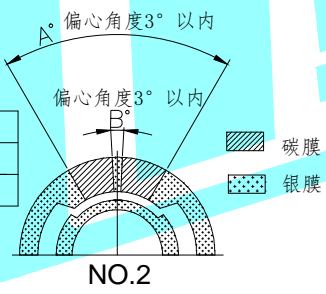


PCB Layout (Pattern side)



NO.1	
RESISTANCE	ANGLE
10±20%	
50±20%	
100±20%	
120±20%	

NO.2		ANGLE				
A	B	38°	40°	45°	50°	60°
		0°	4°	6°	8°	

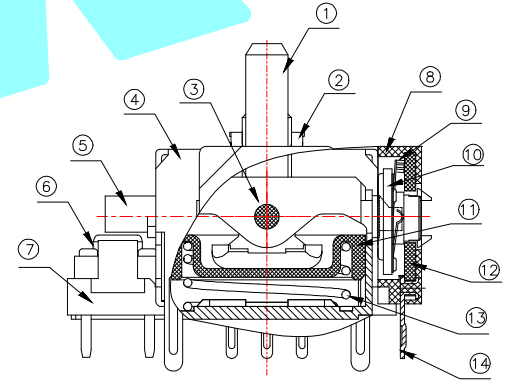
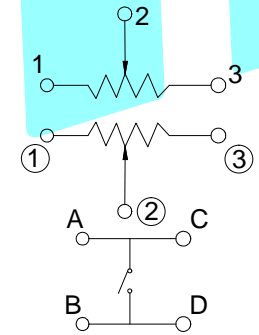


NO.3	
S	W
HAVE SWITCH	NO SWITCH

NO.4	
PART NO	VIGOR
A	160±40gf
B	220±40gf
C	250±40gf

NO.5	
PART NO	NOTE
01~99	SERIAL NUMBER

CIRCUIT EXPLANATION



Scale 1:1

ITEM	PART NAME	Serial number	QTY.	MATERIAL	FINISHING	REMARK
⑭	端子	---	6	SPCC	Plating Sn	---
⑬	弹簧	---	1	SUS	---	---
⑫	电阻片	---	2	---	---	---
⑪	滑动座	---	1	PLASTIC	---	---
⑩	胶座	---	2	PLASTIC	---	---
⑨	刷子	---	2	---	---	---
⑧	电阻片本体	---	2	PLASTIC	---	---
⑦	底座	---	1	PBT	---	---
⑥	开关	---	1	6*6*5	---	---
⑤	下摇臂	---	1	ALLOY	Plating Ni	---
④	外壳	---	1	SPTE	---	---
③	铆钉	---	1	FE	Plating Ni	---
②	上摇臂	---	1	PLASTIC	---	---
①	轴心	---	1	PLASTIC	---	---

ITEM	PART NAME	Serial number	QTY.	MATERIAL	FINISHING	REMARK
------	-----------	---------------	------	----------	-----------	--------

APPROVALS			DATE	HRO 翰睿®		
-----------	--	--	------	---------	--	--

DRAWN: QIFENG.XU DATE: 2014.11.28 ELECTRONICS CO.,LTD

CHECKED: TITLE: ROCKER SWITCH

APPROVALS: PART NO. 3D162

TOLERANCES ARE	30~以上	±0.30	ANGLE	UNIT: mm	SCALE: 1:1	PROJ: 第三角
	10~30	±0.20				
	5~10	±0.15	±2'	DRAWING NO.		
	~ 5	±0.10				SHEET 1 OF 1

ECN NO.	REV.	DATE.	DESCRIPTION.	CHANGE.	CHECK.	APPRO.
	A		NEW			