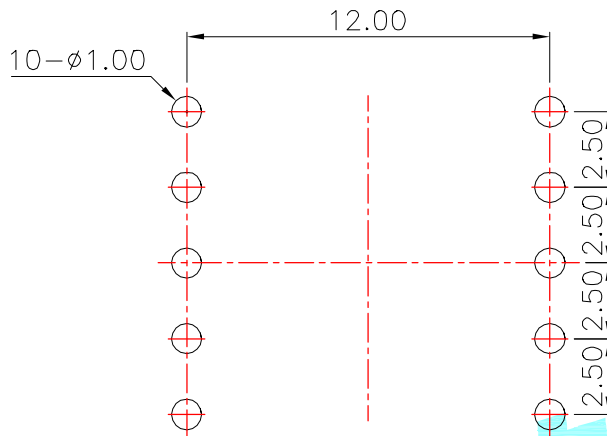
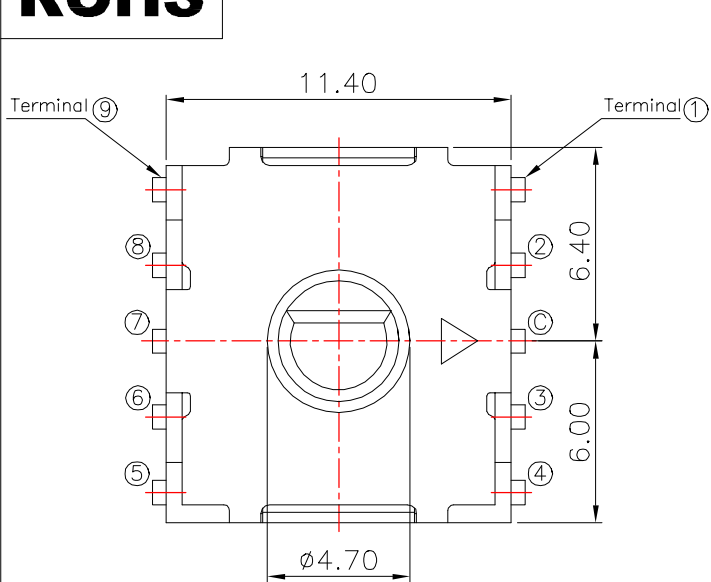
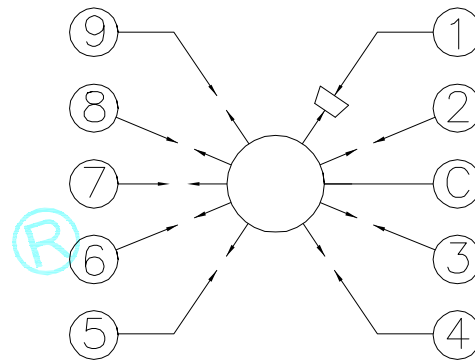


ROHS

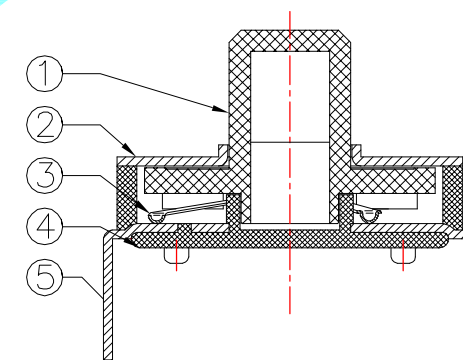


P.C.B. Mounting Pattern Dimension

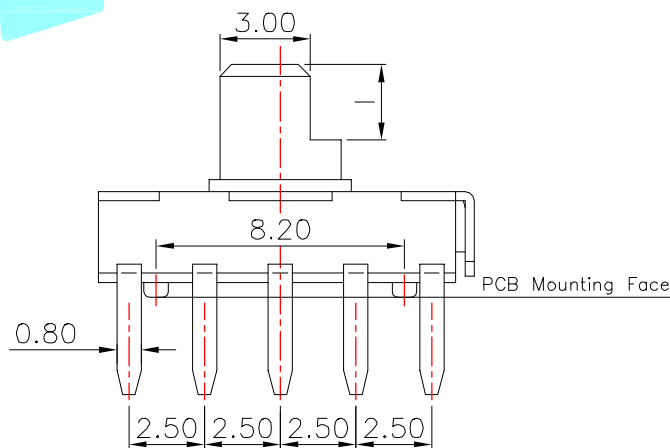
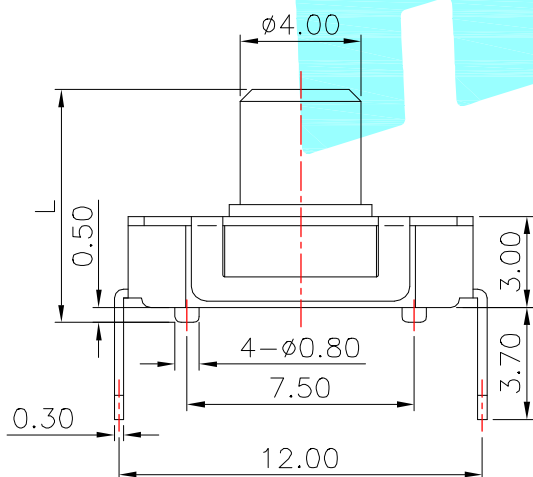


Circuit Diagram

MODEL	L	l	Operating Force
1521DA-01	7.7mm	2.5mm	100±50gf
1521DA-02	9.8mm	4.1mm	
1521DA-03	7.7mm	2.5mm	200±60gf
1521DA-04	9.8mm	4.1mm	



Product Structure Diagram



⑤	Terminal	—	10	Brass(0.15t)	Plating silver	—
④	Base	—	1	Nylon	Black	—
③	Contact	—	1	SUS	Plating silver	—
②	Cover	—	1	SUS	Natural	—
①	Keystoke	—	1	Nylon	Black	—
ITEM	PART NAME	TER'NO.	QTY.	MATERIAL	FINISHING	REMARK

APPROVALS		DATE		HROELECTRONICS CO.,LTD		
DRAWN	J.X.Zhang	2013/8/19		TITLE:	MULTIFUNCTIONAL SWITCHES	
CHECKED				PART NO.	K1-1521DA-□□	
APPROVALS				TOLERANCES ARE	ANGLE	UNIT: mm SCALE: 1:1 PROJ:
		30~以上	±0.30	±2'	DRAWING NO.	SHEET 1 OF 1
		10~30	±0.20			
		5~10	±0.15			
		~ 5	±0.10			

ECN NO.	REV.	DATE.	DESCRIPTION.	CHANGE.	CHECK.	APPRO.
	A		NEW			