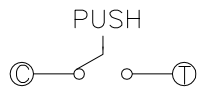


0° (▨=NO)

TER	ANG.	(20°)	(15°)	(15°)	(20°)
①		▨			
②					▨
③		▨	▨	▨	▨

CCW ← → CW

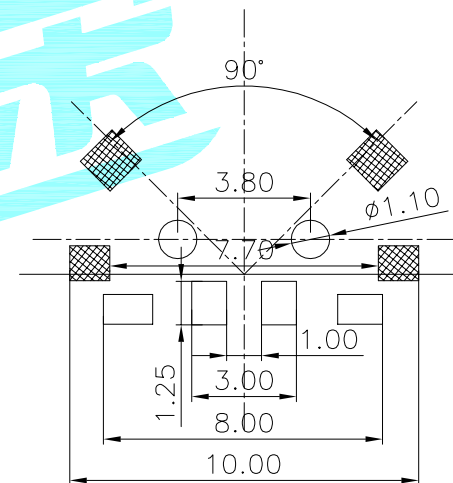
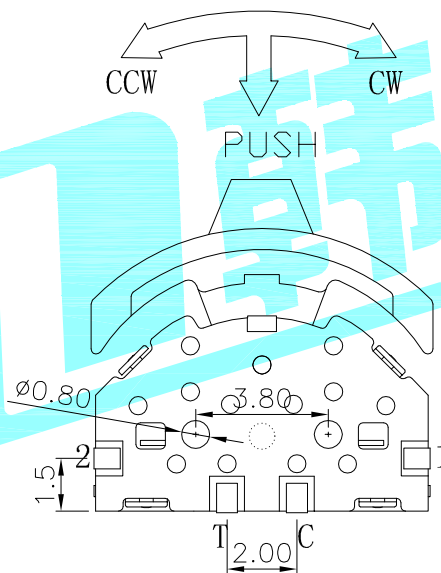
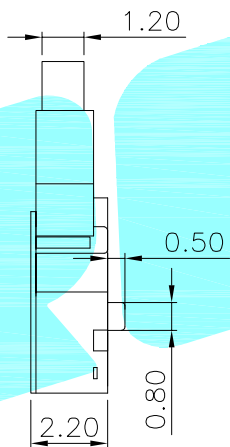
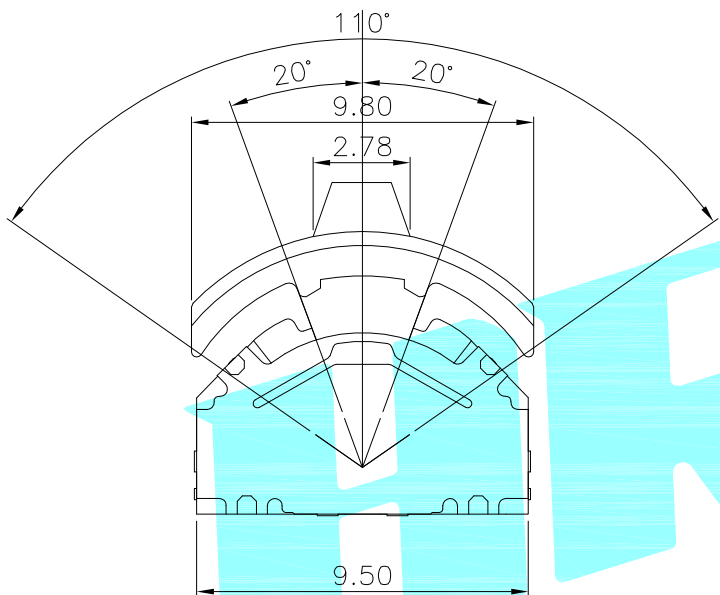
CODE TABLE



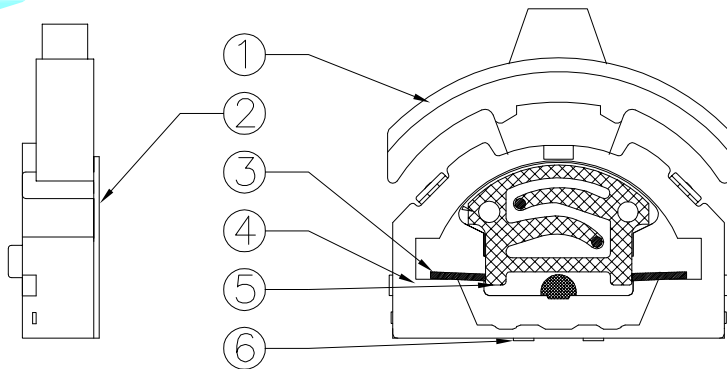
Circuit Diagram

Typical Specifications

1. Rating : DC 0.1A 12V
2. Operating Force:
 - lever portion 2-80±50gf
 - Push portion 250±50gf
3. Mechanical life: 1,0000 cycles
4. Operation Stroke: 0.8±0.2mm



P.C.B Mounting Pattern Dimension



⑥	Contact	—	1	F.Ag/Brass	—	—
⑤	Terminal	—	4	Brass(0.15t)	Plating silver	—
④	Base	—	1	Nylon	Black	—
③	Spring	—	1	SUS	—	—
②	Cover	—	1	SUS	White	—
①	Keystoke	—	1	Nylon	Black	—

ITEM	PART NAME	TER.NO.	QTY.	MATERIAL	FINISHING	REMARK
------	-----------	---------	------	----------	-----------	--------

APPROVALS		DATE		 ELECTRONICS CO.,LTD		
DRAWN	J.X.Zhang	2018/8/1				
CHECKED				PART NO.	K1-1519SA-03	
APPROVALS				TOLERANCES ARE	ANGLE	UNIT: mm SCALE: 1:1 PROJ:
		30~以上	±0.30		±2'	DRAWING NO. SHEET 1 OF 1
		10~30	±0.20			
		5~10	±0.15			
		~ 5	±0.10			

ECN NO.	REV.	DATE.	DESCRIPTION.	CHANGE.	CHECK.	APPRO.
—	A	—	NEW	—	—	—